



**POWER SUPPLY SPECIFICATION**

MODEL NO.	MC15EU	ISSUE DATE	2020-02-20
CUSTOMER	Minwa Standard	REF. NO.	

**INPUT**

INPUT VOLTAGE	100 to 240 Vac
INPUT FREQUENCY	50/ 60 Hz
NO LOAD POWER CONSUMPTION	<0.1W
INPUT FULL LOAD CURRENT (at 100 Vac)	0.4A

**OUTPUT**

OUTPUT RATING	3.0V/4.5V/5.0V/6.0V/7.5V/9.0V/12.0V,
OUTPUT CURRENT	1.5A

**OVERALL PERFORMANCE**

TOTAL OUTPUT POWER	3.0V (4.5W) /4.5V (6.75W) / 5.0V (7.5W) / 6.0V (9W) /7.5V (11.25W) /9.0V (13.5W) /12.0V (18W) MAX
AVERAGE ACTIVE EFFICIENCY	Min 72.8% (for 3.0V); Min 75.9% (for 4.5V); Min 76.6% (for 5.0V); Min 81.3% (for 6.0V); Min 82.6% (for 7.5V); Min 83.5% (for 9.0V); Min 85.0% (for 12.0V)
EFFICIENCY AT LOW LOAD (10%)	Min 62.8% (for 3.0V); Min 65.9% (for 4.5V); Min 66.6% (for 5.0V); Min 71.3% (for 6.0V); Min 72.6% (for 7.5V); Min 73.5% (for 9.0V); Min 75.0% (for 12.0V)

**PROTECTION**

<input checked="" type="checkbox"/> OVER CURRENT PROTECTION	<input checked="" type="checkbox"/> SHORT CIRCUIT PROTECTION
<input checked="" type="checkbox"/> OVER VOLTAGE PROTECTION	<input checked="" type="checkbox"/> L.P.S (Limits for power source)
<input checked="" type="checkbox"/> OVER POWER PROTECTION	<input type="checkbox"/> AUTOMATIC THERMAL PROTECTION

**HI-POT**

INPUT TO OUTPUT	3000Vac 5 mA 50 Hz
INPUT TO CASE	3000Vac 5 mA 50Hz
OUTPUT TO CASE	500 Vac 5 mA 50Hz
ISOLATION RESISTANCE	100 M Ohms I/P-O/P I/P/Enclosure
APPLIANCE	CLASS I <input type="checkbox"/> II <input checked="" type="checkbox"/> III <input type="checkbox"/>

**ENVIRONMENTAL**

OPERATING TEMPERATURE	0 °C to 25 °C
STORGE TEMPERATURE	-20 °C to 60 °C
OPERATING HUMIDITY	20%-85% RH. NON-CONDENSING
STORGE HUMIDITY	10%-90% RH. NON-CONDENSING

**APPROVAL**

SAFETY STANDARDS	EN 62368-1:2014+ A11:2017
EMC	EN 61204-3:2000

**RELIABILITY**

MTBF	30000 Hours min
BURN-IN	4 Hours 25°C, full load, 220Vac, 50Hz

**MECHANICAL SPECIFICATION**

DIMENSION	82.0 mm(L) x 51.6 mm(W) x 35.9mm(H) (excluded plug)
-----------	---

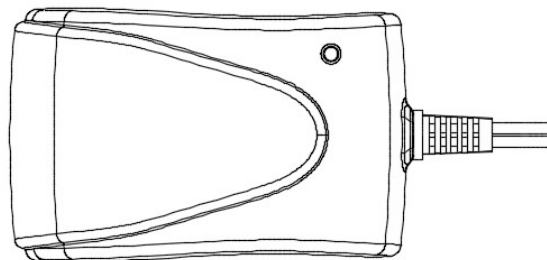
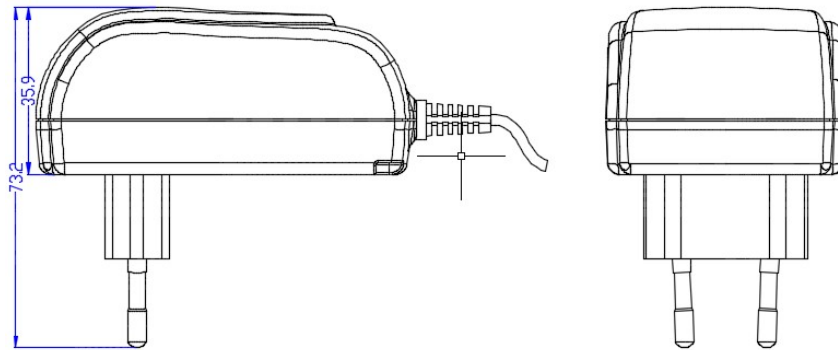
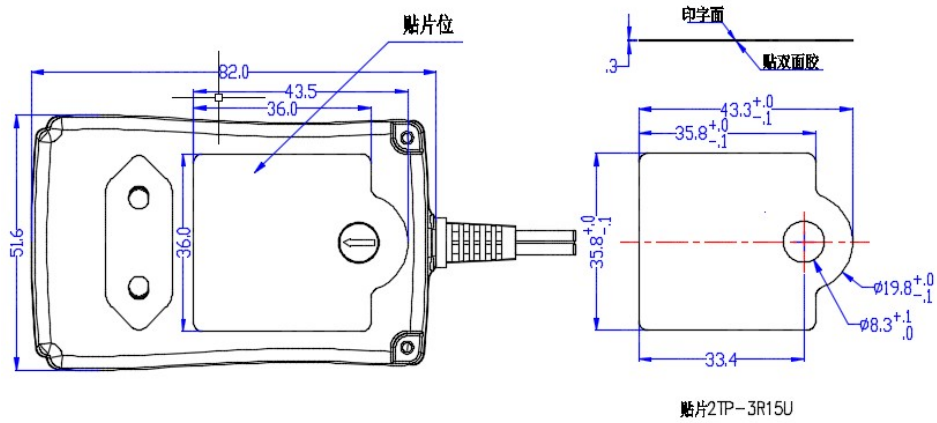


**POWER SUPPLY SPECIFICATION**

MODEL NO.	MC15EU	ISSUE DATE	2020-02-20
CUSTOMER	Minwa Standard	REF. NO.	

	82.0 mm(L) x 51.6 mm(W) x 73.2mm(H) (included plug)
WEIGHT	130g MAX exclude packing
INPUT PLUG	Direct plug-in; EU type
OUTPUT CORD	PVC, Length 1.8m
OUTPUT PLUG	Depends on client request

**Appearance**



APPROVE:

AUDITING:

CONNER:



**POWER SUPPLY SPECIFICATION**

MODEL NO.	MC15EU	ISSUE DATE	2020-02-20
CUSTOMER	Minwa Standard	REF. NO.	

## **X-ON Electronics**

Largest Supplier of Electrical and Electronic Components

*Click to view similar products for [Minwa manufacturer](#):*

Other Similar products are found below :

[MWMB10EU/6XC](#) [MWMD25EU/6XC](#) [MWMD15EU/6XC](#) [MWMC15EU/6XC](#) [MWMA06EU/6XC](#) [MWMD36EU/6XC](#)