



POWER SUPPLY SPECIFICATION

| | | | |
|-----------|-----------|------------|------------|
| MODEL NO. | MW MD15EU | ISSUE DATE | 2020-02-20 |
| CUSTOMER | Minwa | REF. NO. | |

INPUT

| | |
|--------------------------------------|----------------|
| INPUT VOLTAGE | 100 to 240 Vac |
| INPUT FREQUENCY | 60 / 50 Hz |
| NO LOAD POWER CONSUMPTION | <0.1W |
| INPUT FULL LOAD CURRENT (at 100 Vac) | 0.5 A |

OUTPUT

| | |
|---------------------|---|
| OUTPUT VOLTAGE (DC) | 9.0 / 12.0 / 13.5 / 15.0 / 18.0 / 20.0 / 24.0V |
| OUTPUT CURRENT | 9.0 / 12.0 / 13.5 / 15.0V,1.5A; 18.0 / 20.0V,1.2A; 24.0V,1.0A |

OVERALL PERFORMANCE

| | |
|------------------------------|---|
| OUTPUT POWER | 9.0V (13.5W) / 12.0 (18W) / 13.5 (20.25W) / 15.0V, (22.5W); 18.0V (21.6W) / 20.0V (24W) ; 24.0V (24W) max |
| AVERAGE ACTIVE EFFICIENCY | Min 83.6% (for 9.0V);Min 85.0% (for 12.0V); Min 85.5% (for 13.5V); Min 86.0% (for 15.0V); Min 85.8% (for 18.0V); Min 86.2% (for 20V); Min 86.2% (for 24V) |
| EFFICIENCY AT LOW LOAD (10%) | Min 73.6% (for 9.0V);Min 75.0% (for 12.0V); Min 75.5% (for 13.5V); Min 76.0% (for 15.0V); Min 75.8% (for 18.0V); Min 76.2% (for 20V); Min 76.2% (for 24V) |

PROTECTION

| | |
|---|---|
| <input checked="" type="checkbox"/> OVER CURRENT PROTECTION | <input checked="" type="checkbox"/> SHORT CIRCUIT PROTECTION |
| <input checked="" type="checkbox"/> OVER VOLTAGE PROTECTION | <input checked="" type="checkbox"/> L.P.S (Limits for power source) |
| <input checked="" type="checkbox"/> OVER POWER PROTECTION | <input type="checkbox"/> AUTOMATIC THERMAL PROTECTION |

HI-POT

| | |
|----------------------|----------------------------------|
| INPUT TO OUTPUT | 3000Vac 5 mA 50 Hz |
| INPUT TO CASE | 3000Vac 5 mA 50Hz |
| OUTPUT TO CASE | 500 Vac 5 mA 50Hz |
| ISOLATION RESISTANCE | 100 M Ohms I/P-O/P I/P/Enclosure |
| APPLIANCE | Class II |

ENVIRONMENTAL

| | |
|-----------------------|----------------------------|
| OPERATING TEMPERATURE | 0 °C to 25 °C |
| STORGE TEMPERATURE | -20 °C to 60 °C |
| OPERATING HUMIDITY | 20%-85% RH. NON-CONDENSING |
| STORGE HUMIDITY | 10%-90% RH. NON-CONDENSING |

SAFFTY STANDARDS

| | |
|------------------|---------------------------|
| SAFETY STANDARDS | EN 62368-1:2014+ A11:2017 |
| EMC STANDARDS | EN 61204-3:2000 |

RELIABILITY

| | |
|---------|---------------------------------------|
| MTBF | 30000 Hours min |
| BURN-IN | 4 Hours 25°C, full load, 220Vac, 50Hz |

MECHANICAL SPECIFICATION

| | |
|-----------|--|
| DIMEMSION | 87.5 mm(L) x 51.0 mm(W) x 40.1mm(H) (excluded plug) 87.5 mm(L) x 51.0 mm(W) x 77.4mm(H) (included plug) |
|-----------|--|

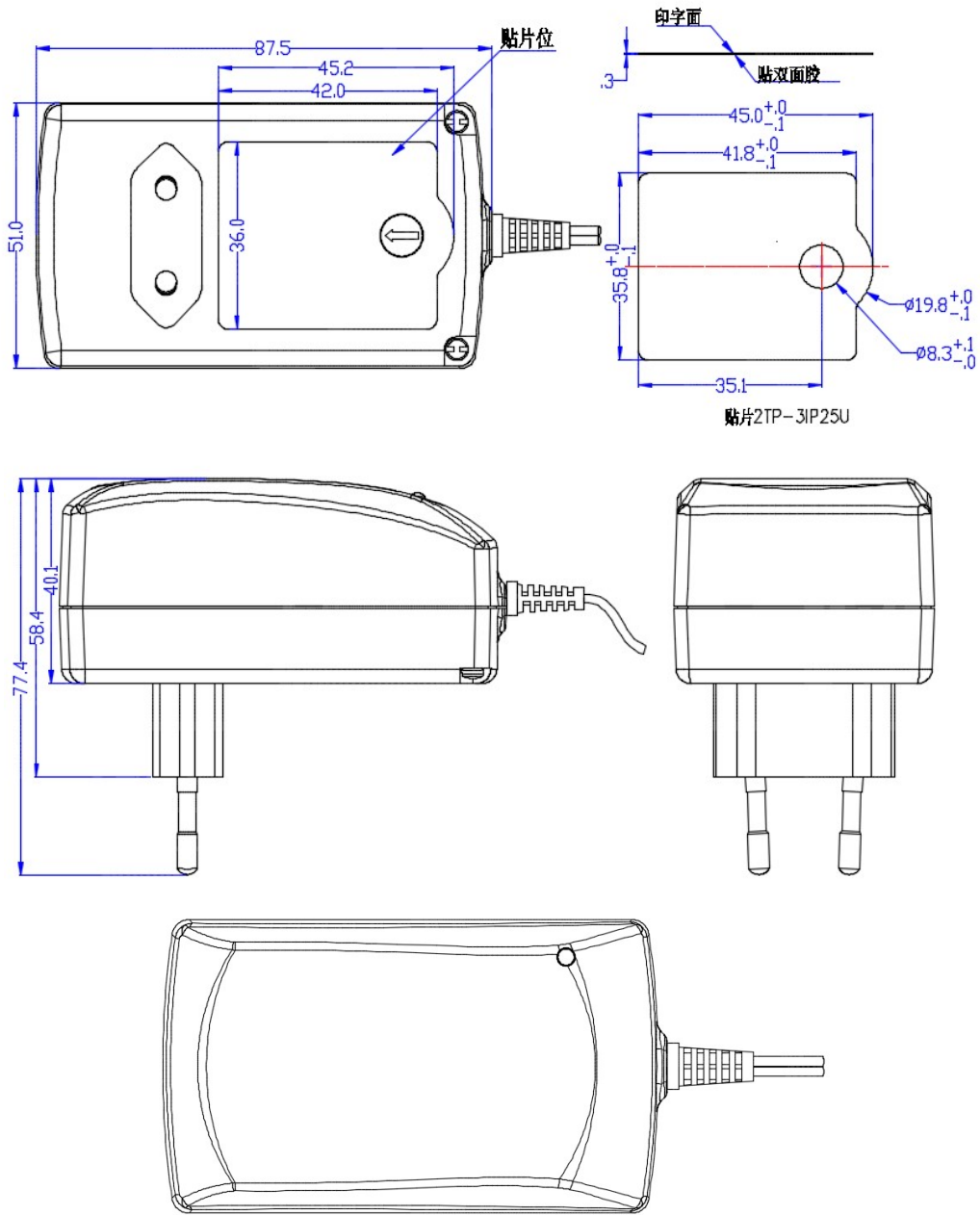


POWER SUPPLY SPECIFICATION

| | | | |
|-----------|-----------|------------|------------|
| MODEL NO. | MW MD15EU | ISSUE DATE | 2020-02-20 |
| CUSTOMER | Minwa | REF. NO. | |

| | |
|-------------|---------------------------|
| WEIGHT | g MAX exclude packing |
| INPUT PLUG | Direct plug-in EU type |
| OUTPUT CORD | PVC, Length 1.8m |
| OUTPUT PLUG | Depends on client request |

Appearance



APPROVE:

AUDITING:

CONNER:

X-ON Electronics

Largest Supplier of Electrical and Electronic Components

Click to view similar products for [Minwa manufacturer](#):

Other Similar products are found below :

[MWMA06EU/6XC](#) [MWMB10EU/6XC](#) [MWMC15EU/6XC](#) [MWMD15EU/6XC](#) [MWMD25EU/6XC](#) [MWMG36EU/6XC](#)