

SERIES 102 – Economy Micrometer

- Cut-away frame (behind anvil) for measuring in hard-to-reach places.

- Heat-insulated frame.
- Measuring faces: Carbide.



Ratchet stop type.

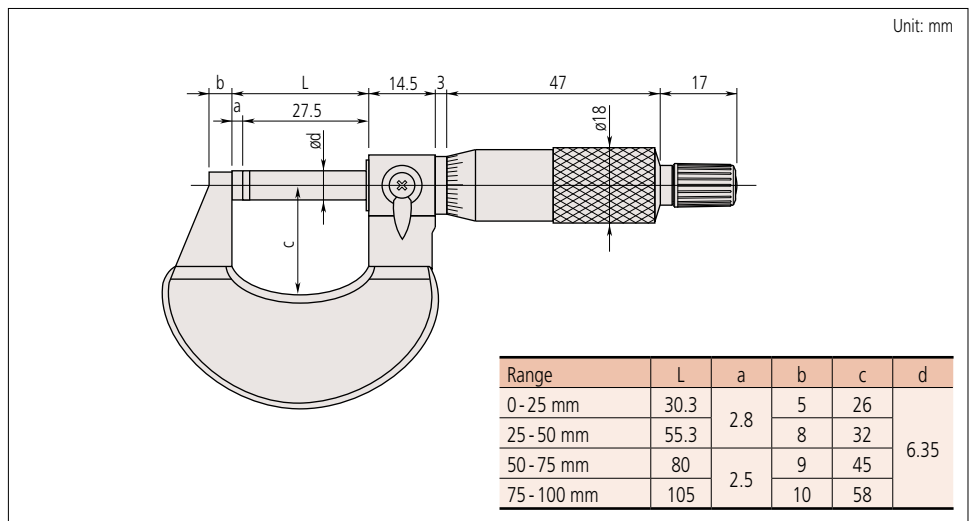


102-301

SPECIFICATIONS

Metric							
Code No.	Range	Graduation	Accuracy	Flatness	Parallelism	Constant-force device	Price
102-301	0 - 25 mm	0.01 mm	±2 μm	0.6 μm	2 μm	Ratchet stop	£54.00
102-311		0.001 mm	±1 μm	0.3 μm	1 μm		£68.50
102-302	25 - 50 mm	0.01 mm	±2 μm	0.6 μm	2 μm		£61.70
102-312		0.001 mm	±1 μm	0.3 μm	1 μm		£70.70
102-303	50 - 75 mm	0.01 mm	±2 μm	0.6 μm	2 μm		£79.50
102-304	75 - 100 mm		±3 μm		3 μm		£88.90

DIMENSIONS



X-ON Electronics

Largest Supplier of Electrical and Electronic Components

Click to view similar products for [mitutoyo](#) manufacturer:

Other Similar products are found below :

[2109S-10](#) [530-104](#) [103-129](#) [500-171-30](#) [7010SN](#) [148-104](#) [530-118](#) [293-832](#) [959150](#) [2046SB](#) [543-391B](#) [500-184-30](#) [102-301](#) [575-123](#) [148-201](#) [500-196-30](#) [2046S](#) [7301](#)