

# Analogue Dial Indicators

## Series 2

Standard size with 0.01 mm graduation



Properties	2044 SB	2045 SB	2046 SB/SYB	2046 SB-09	2046 SB-15	2902 SB	2047 SB
Continuous scale	●	●	●	●	●	●	●
Double sided scale		●					●
Shock proof			●				
Low measuring force				●			
Jewel bearing					●		
DIN Standard	●	●	●	●	●	●	●
Scale graduation counterclockwise						●	

### Specifications

Accuracy: DIN

Delivered with factory certificate

Notation "B" = without eyelet

For various accessories see pages 206 and 207.

For special measuring inserts see pages 208 and 209.



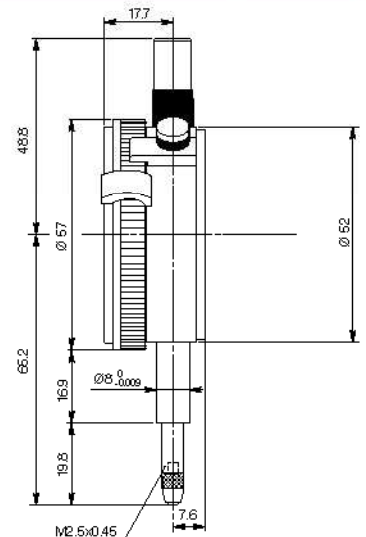
Measuring range mm	Graduation mm	No.	Scale	1 Pointer rotation mm	$f_e$ $\mu\text{m}$	$f_{ges}$ $\mu\text{m}$	$f_u$ $\mu\text{m}$	Measuring force max. N	Mass g	Note
5	0,01	2044 SB	0-100 (100-0)	1	10	13	3	1,4	136	Ⓜ Ⓛ Ⓜ Ⓛ
5	0,01	2045 SB	0-50-0	1	10	13	3	1,4	136	Ⓜ Ⓛ Ⓜ Ⓛ
10	0,01	2046 SB*	0-100 (100-0)	1	12	15	3	1,4	135	Ⓜ Ⓛ Ⓜ Ⓛ
10	0,01	2046 SB-09	0-100 (100-0)	1	15	17	3	1,4	137	Ⓜ Ⓛ Ⓜ Ⓛ Ⓛ Ⓜ
10	0,01	2046 SB-15	0-100 (100-0)	1	15	17	3	0,8	136	Ⓜ Ⓛ Ⓜ Ⓛ Ⓛ Ⓜ Ⓛ
10	0,01	2902 SB	100-0	1	12	15	3	1,4	135	Ⓜ Ⓛ Ⓜ Ⓛ Ⓛ Ⓜ Ⓛ
10	0,01	2047 SB	0-50-0	1	12	15	3	1,4	135	Ⓜ Ⓛ Ⓜ Ⓛ Ⓛ Ⓜ Ⓛ

\* Also available with yellow dial plate, no. 2046SYB

No. without "B"  $\Delta$  Lid with eyelet supplied



No. 2044 SB in stand no. 7002M



## **X-ON Electronics**

Largest Supplier of Electrical and Electronic Components

*Click to view similar products for [mitutoyo](#) manufacturer:*

Other Similar products are found below :

[2109S-10](#) [530-104](#) [103-129](#) [500-171-30](#) [7010SN](#) [148-104](#) [530-118](#) [293-832](#) [959150](#) [2046SB](#) [543-391B](#) [500-184-30](#) [102-301](#) [575-123](#) [148-201](#) [500-196-30](#) [2046S](#) [7301](#)