

## Technical Data

Measuring force: 5 to 10N  
 Battery: SR44 (1 pc) **938882**  
 Battery life: Approx. 1.8 years under normal use

## Functions

### Zero setting:

A brief press on the ORIGIN button sets display to zero at the current spindle position (zero-setting), which allows easy comparison measurement.

### Auto power ON/OFF:

The reading on the LCD disappears after this instrument is idle for about 20 minutes, but the reading is retained. Turning the spindle causes the reading on the LCD to reappear.

## SERIES 293 – Digimatic Micrometer

- Simple design, such as not incorporating data output, achieves low cost.
- Provided only with an origin-set button for easy origin setting.
- Increased operability thanks to easy-to-read LCD with 30% more character display area.
- Equipped with Ratchet Stop for constant measuring force.
- Measuring faces: Carbide

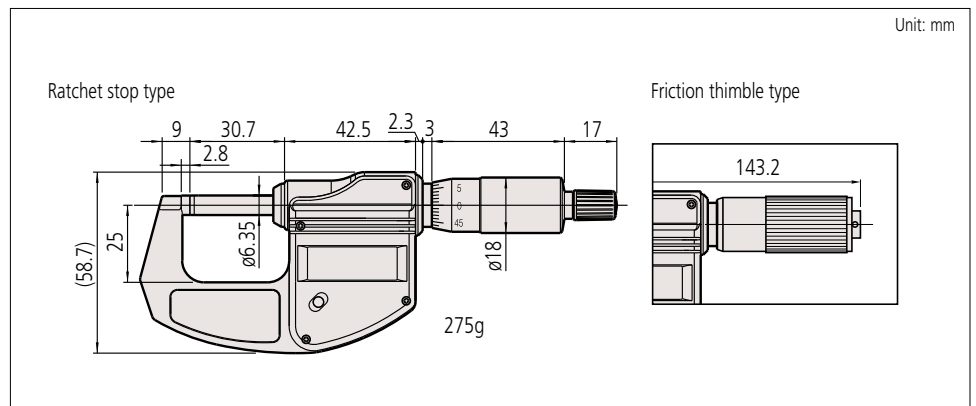


## SPECIFICATIONS

Metric					
Code No.	Range	Resolution	Accuracy*	Constant-force device	Price
293-821	0-25 mm	0.001 mm	±2 μm	Ratchet stop	£89.60
Inch/Metric					
Code No.	Range	Resolution	Accuracy*	Constant-force device	Price
293-831	0-25 mm (0-1")	0.001 mm (.00005")	±2 μm (±.0001")	Ratchet stop	£89.60
293-832				Friction thimble	£89.60

\* Excluding quantizing error.

## DIMENSIONS



## **X-ON Electronics**

Largest Supplier of Electrical and Electronic Components

*Click to view similar products for [mitutoyo](#) manufacturer:*

Other Similar products are found below :

[2109S-10](#) [530-104](#) [103-129](#) [500-171-30](#) [7010SN](#) [148-104](#) [530-118](#) [293-832](#) [959150](#) [2046SB](#) [543-391B](#) [500-184-30](#) [102-301](#) [575-123](#) [148-201](#) [500-196-30](#) [2046S](#) [7301](#)