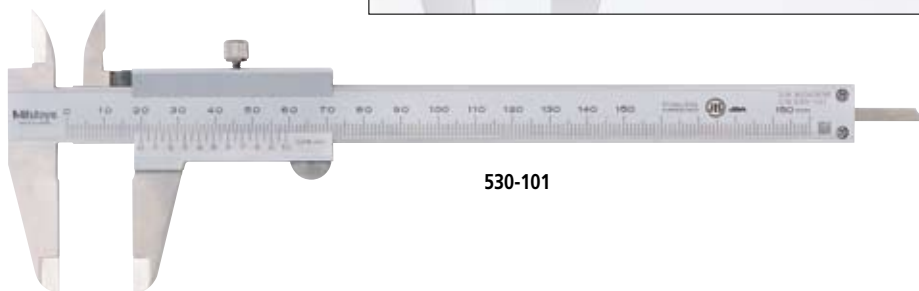
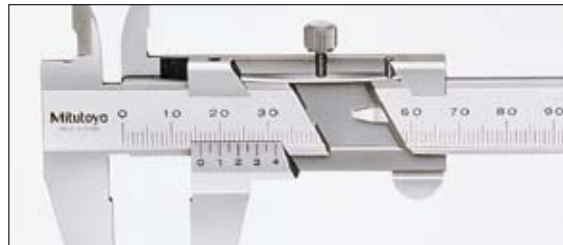
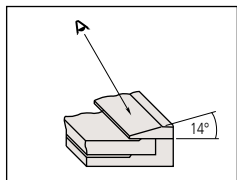


Vernier Caliper

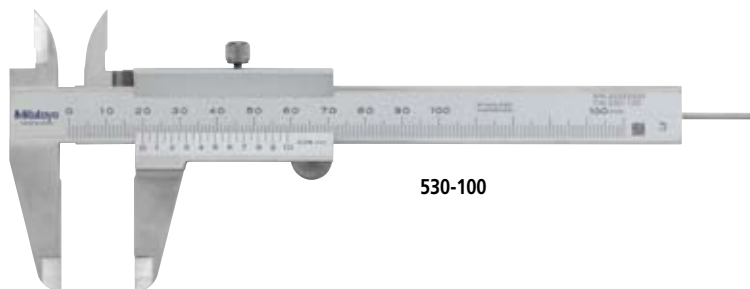
SERIES 530 — Standard model

FEATURES

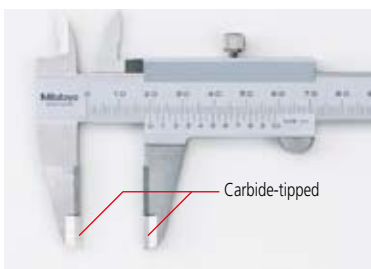
- Plain and basic design.
- Can measure outside and inside diameter (OD and ID), depth, and steps.
- The small vernier face angle (14°) provides easy reading.
- Different reading scales on vernier. (metric/inch and inch models only)
- Clamping screw atop the slider.
- Carbide-tipped jaw type calipers are also available.



530-101



530-100



Carbide-tipped

Carbide-tipped jaw type

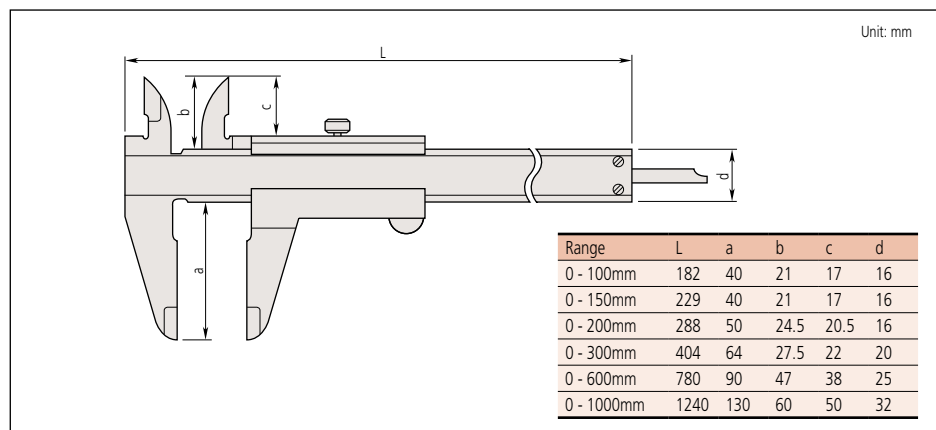


Round depth bar type

Technical Data

Accuracy: $\pm 0.05\text{mm}$ ($\leq 200\text{mm}$), $\pm 0.08\text{mm}$ ($\leq 300\text{mm}$)
 $\pm 0.10\text{mm}$ ($\leq 600\text{mm}$), $\pm 0.15\text{mm}$ ($\leq 1000\text{mm}$)
 High accuracy type:
 $\pm 0.03\text{mm}$ ($\leq 200\text{mm}$), $\pm 0.04\text{mm}$ ($\leq 300\text{mm}$)
 Graduation: 0.05mm, 0.05mm (1/128") or .001" (1/128")
 High accuracy type:
 0.02mm or 0.02mm (.001")

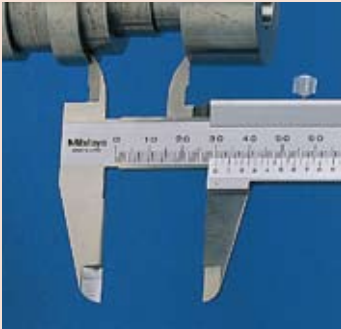
DIMENSIONS



Measurement Applications



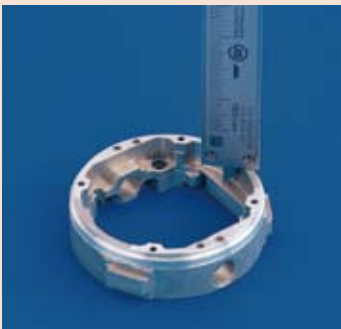
OD measurement



ID measurement



Step measurement



Depth measurement

Technical Data

Accuracy: $\pm 0.05\text{mm}$
 Graduation: 0.05mm



SPECIFICATIONS

Metric

Range	Order No.	Depth bar	Remarks
0 - 100mm	530-100	$\varnothing 1.9\text{mm}$ rod	—
0 - 150mm	530-102	$\varnothing 1.9\text{mm}$ rod	—
0 - 150mm	530-101	Blade	—
0 - 150mm	530-320	Blade	Carbide-tipped jaws for outside measurement
0 - 150mm	530-335	Blade	Carbide-tipped jaws for outside and inside measurement
0 - 150mm	530-122*	Blade	High accuracy model: $\pm 0.03\text{mm}$
0 - 200mm	530-108	Blade	—
0 - 200mm	530-321	Blade	Carbide-tipped jaws for outside measurement
0 - 200mm	530-123*	Blade	High accuracy model: $\pm 0.03\text{mm}$
0 - 300mm	530-109	Blade	—
0 - 300mm	530-322	Blade	Carbide-tipped jaws for outside measurement
0 - 300mm	530-124*	Blade	High accuracy model: $\pm 0.04\text{mm}$
0 - 600mm	530-501	—	—
0 - 1000mm	530-502	—	—

*Graduation: 0.02mm

Metric/Inch with metric/inch double scale

Range	Order No.	Depth bar	Inch graduation	Remarks
0 - 150mm	530-104	Blade	1/128"	—
0 - 150mm	530-316	Blade	1/128"	Clamping screw below the slider
0 - 150mm	530-312*	Blade	.001"	High accuracy model: $\pm 0.03\text{mm}$
0 - 200mm	530-114	Blade	1/128"	—
0 - 200mm	530-118*	Blade	.001"	High accuracy model: $\pm 0.03\text{mm}$
0 - 300mm	530-115	Blade	1/128"	—
0 - 300mm	530-119*	Blade	.001"	High accuracy model: $\pm 0.04\text{mm}$

*Graduation: 0.02mm

Inch with inch/inch double scale

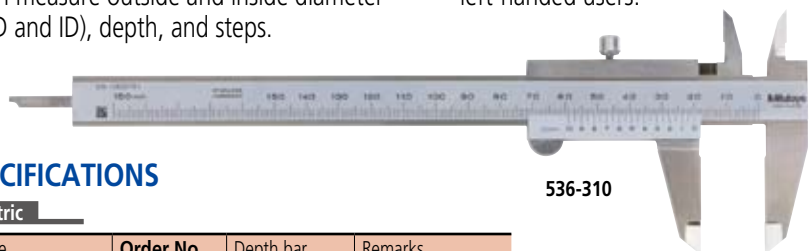
Range	Order No.	Depth bar	Inch graduation	Remarks
0 - 6"	530-105	Blade	1/128"	—
0 - 8"	530-116	Blade	1/128"	—

Vernier Caliper

SERIES 536 — Parallax-Free Type

FEATURES

- Parallax-free vernier scales for easy and positive measurement.
- Can measure outside and inside diameter (OD and ID), depth, and steps.
- With clamping screw atop the slider.
- Special model (Series 536) is designed for left-handed users.



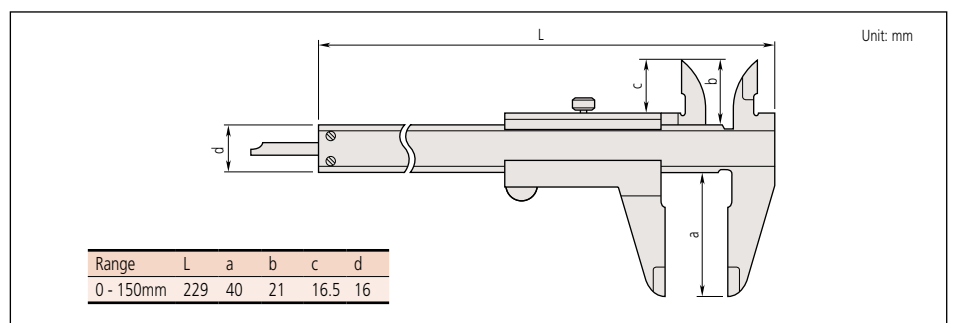
536-310

SPECIFICATIONS

Metric

Range	Order No.	Depth bar	Remarks
0 - 150mm	536-310	Blade	Left-handed type

DIMENSIONS



X-ON Electronics

Largest Supplier of Electrical and Electronic Components

Click to view similar products for [mitutoyo](#) manufacturer:

Other Similar products are found below :

[2109S-10](#) [530-104](#) [103-129](#) [500-171-30](#) [7010SN](#) [148-104](#) [530-118](#) [293-832](#) [959150](#) [2046SB](#) [543-391B](#) [500-184-30](#) [102-301](#) [575-123](#) [148-201](#) [500-196-30](#) [2046S](#) [7301](#)