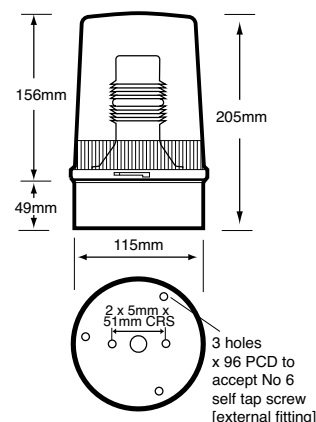


Visual Signals XENON

BEACONS



Industrial Xenon Beacons > X201-200 Series

Product overview

The X201/200 Series utilises a discharge capacitor and converter circuit to ignite xenon gas inside a tube, resulting in a brilliant flash of light. Xenon gas ignites virtually instantaneously so maximum brightness is obtained immediately. Xenons have an added advantage of low current consumption combined

with a reasonable life span. The X201/200 Series provides a 360-degree light output and has a Single Flash or Double Flash option. The Double Flash option extends the signal duration making it more noticeable to the human eye. Brightness is increased by the use of a Dioptric (Fresnel) lens which magnifies the light output. Xenon beacons are one of the most efficient, effective and brightest visual signals available.

Features

- Continuously rated
- Suitable for use with conduit BESA box
- Suitable for surface or wall mounting
- Optional wall bracket & protective guard available – see accessory page
- Single or Double flash option
- Diode polarised [DP] options available for fire alarm systems
- 360° visibility
- IP65

Material

- UV Stable Polycarbonate Lens
- UV Stable ABS Plastic Base

Code No:	Voltage:	Light Source:	Current:
X201-18●	12/24v Dc ---	Xenon 10J/7.5J	1.45/0.7 A
X201-19●●	12/24v Dc ---	Xenon 10J/7.5J	1.45/0.7 A
X200-88	24v Ac ~	Xenon 10J/7.5J	0.72 A
X200-21	115v Ac ~	Xenon 10J/7.5J	0.10 A
X200-22	230v Ac ~	Xenon 10J/7.5J	0.06 A

● Pre-set at 24v Dc ---

●● Diode polarised



Kg 0.72

50/60 **Hz**

°C -25+66

IP 65

FPM 60x90

FIRE

APPROVAL AND CONFORMITIES



ADD THE FOLLOWING LENS CODES TO THE PRODUCT CODE WHEN ORDERING

01

02

03

04

05

INDUSTRIAL

X-ON Electronics

Largest Supplier of Electrical and Electronic Components

Click to view similar products for [moflash signalling manufacturer](#):

Other Similar products are found below :

[FF200-87](#) [AP360M](#) [LED100-01-01](#) [LED100-01-02](#) [LEDA100-01-04](#) [LEDD100-01-02](#) [LEDD100-01-04](#) [LEDD100-02-01](#) [LEDS100-02-04](#)
[LEDS100-05-04](#) [FF400-87](#) [LED80-04-04](#) [LEDA100-02-04](#) [AE20M-115FA](#) [AE30M-FT-01](#) [AE20M-24FA](#) [A8BM-24DC](#) [LEDD100-02-04](#)
[50004](#) [50066](#) [50067](#) [LED80-04-03](#) [LEDD100-05-04](#) [LEDS100-01-04](#) [X195-02WH-01](#) [LED100-03-02](#) [LEDA100-03-01](#) [RA200-25](#)
[AE36M-02](#) [LED80-04-02](#) [LEDA100-02-01](#) [FF201-85](#) [LEDA100-01-01](#) [X195-02WH-02](#) [X80-04-01](#) [A6BM-24DC](#) [LED100-02-04](#)
[LED100-05-02](#) [LED100-05-04](#) [LEDA100-01-02](#) [LEDD100-05-01](#) [LEDS100-02-02](#) [LED80-02-04](#) [LEDD100-05-02](#) [LED100-02-02](#)
[LED80-02-02](#) [LEDS100-02-01](#) [LED100-02-01](#) [LED80-02-03](#) [LEDA100-02-02](#)