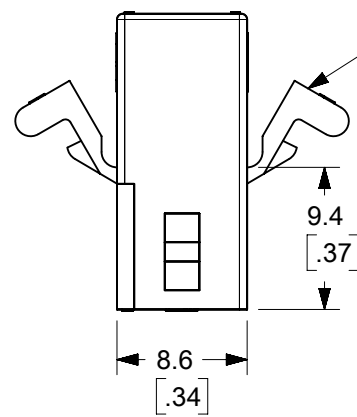
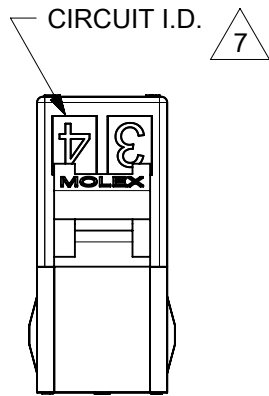
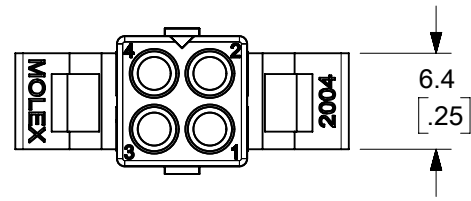
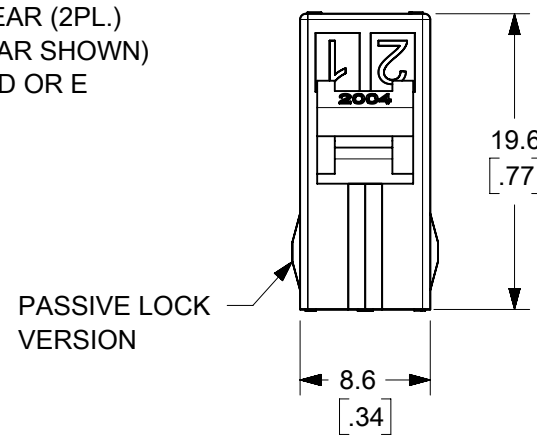


**PLUG HOUSING**

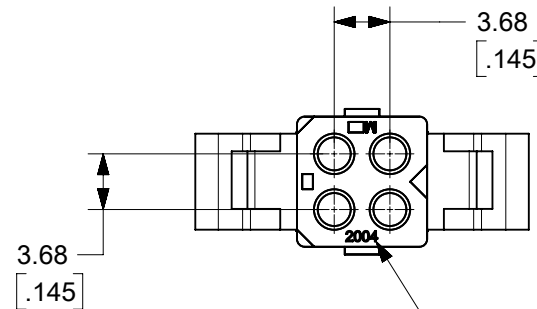
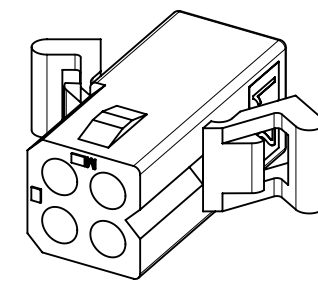
THIS DRAWING CONTAINS INFORMATION THAT IS PROPRIETARY TO MOLEX ELECTRONIC TECHNOLOGIES, LLC AND SHOULD NOT BE USED WITHOUT WRITTEN PERMISSION																	
QUALITY SYMBOLS	CORRECT NOTE 5	EC NO: 109320	DRWN: MKIPPER	CHK'D: MKIPPER	APP'R: FSMITH	GENERAL TOLERANCES (UNLESS SPECIFIED)		DIMENSION UNITS	SCALE								
						MM	INCH	MM/IN	2:1								
$\nabla$ = 0						4 PLACES	$\pm$	$\pm$	DRWN BY	DATE	PLUG AND RECEPTACLE HOUSINGS 4 CIRCUIT .062 DIA., .145 CTRS.						
$\nabla$ = 0						3 PLACES	$\pm$	$\pm 0.01$	BAPPELDORN	2016/09/22							
$\nabla$ = 0						2 PLACES	$\pm 0.25$	$\pm 0.014$	CHK'D BY	DATE	PRODUCT CUSTOMER DRAWING						
$\nabla$ = 0						1 PLACES	$\pm 0.36$	$\pm$	MKIPPER	2016/09/22							
$\nabla$ = 0						0 PLACES	$\pm$	$\pm$	APPR BY	DATE	<table border="1"> <tr> <td>SERIES</td> <td>MATERIAL NUMBER</td> <td>CUSTOMER</td> </tr> <tr> <td>2004</td> <td>SEE CHART</td> <td>GENERAL MARKET</td> </tr> </table>	SERIES	MATERIAL NUMBER	CUSTOMER	2004	SEE CHART	GENERAL MARKET
SERIES	MATERIAL NUMBER	CUSTOMER															
2004	SEE CHART	GENERAL MARKET															
$\nabla$ = 0						ANGULAR TOL $\pm 1.0$		DRAWING SIZE	THIRD ANGLE PROJECTION								
$\nabla$ = 0						DRAFT WHERE APPLICABLE MUST REMAIN WITHIN DIMENSIONS		<b>B</b>									
$\nabla$ = 0										DOCUMENT NUMBER	DOC TYPE	DOC PART	SHEET NUMBER				
										20040000-SD	PSD	000	1 OF 3				



MOUNTING EAR (2PL.)  
(PREBENT EAR SHOWN)  
SEE DETAIL D OR E



PASSIVE LOCK  
VERSION



ENG. NO. LOCATION  
FOR PARTS W/O MOUNTING EARS

## RECEPTACLE HOUSING

THIS DRAWING CONTAINS INFORMATION THAT IS PROPRIETARY TO MOLEX ELECTRONIC TECHNOLOGIES, LLC AND SHOULD NOT BE USED WITHOUT WRITTEN PERMISSION										
QUALITY SYMBOLS ▽ = 0 ▽ = 0 ▽ = 0 ▽ = 0 ▽ = 0 ▽ = 0 ▽ = 0 ▽ = 0 ▽ = 0	CORRECT NOTE 5 EC NO: 109320 DRWN: MKIPPER CHK'D: MKIPPER APPR: FSMITH	GENERAL TOLERANCES (UNLESS SPECIFIED)		DIMENSION UNITS	SCALE	 PLUG AND RECEPTACLE HOUSINGS 4 CIRCUIT .062 DIA., .145 CTRS.				
		MM	INCH	MM/IN	2:1					
		4 PLACES	±	±	BAPPELDORN					2016/09/22
		3 PLACES	±	± 0.01	CHK'D BY					DATE
		2 PLACES	± 0.25	± 0.014	MKIPPER					2016/09/22
1 PLACES	± 0.36	±	APPR BY	DATE						
0 PLACES	±	±	FSMITH	2016/09/29	PRODUCT CUSTOMER DRAWING					
ANGULAR TOL ± 1.0		DRAWING SIZE	THIRD ANGLE PROJECTION		SERIES	MATERIAL NUMBER	CUSTOMER			
DRAFT WHERE APPLICABLE MUST REMAIN WITHIN DIMENSIONS		<b>B</b>			2004	SEE CHART	GENERAL MARKET			
					DOCUMENT NUMBER	DOC TYPE	DOC PART	SHEET NUMBER		
					20040000-SD	PSD	000	2 OF 3		

PLUG	
PART NO.	ENG. NO.
03-06-2043	2004-P
03-06-7043	2004-PBK
03-06-2044	2004-P1
03-06-7044	2004-P1BK
46999-0719	2004-P2

RECEPTACLE	
PART NO.	ENG. NO.
03-06-1043	2004-R
03-06-6043	2004-RBK
03-06-1044	2004-R1
46999-0807	2004-R2

LEGEND:

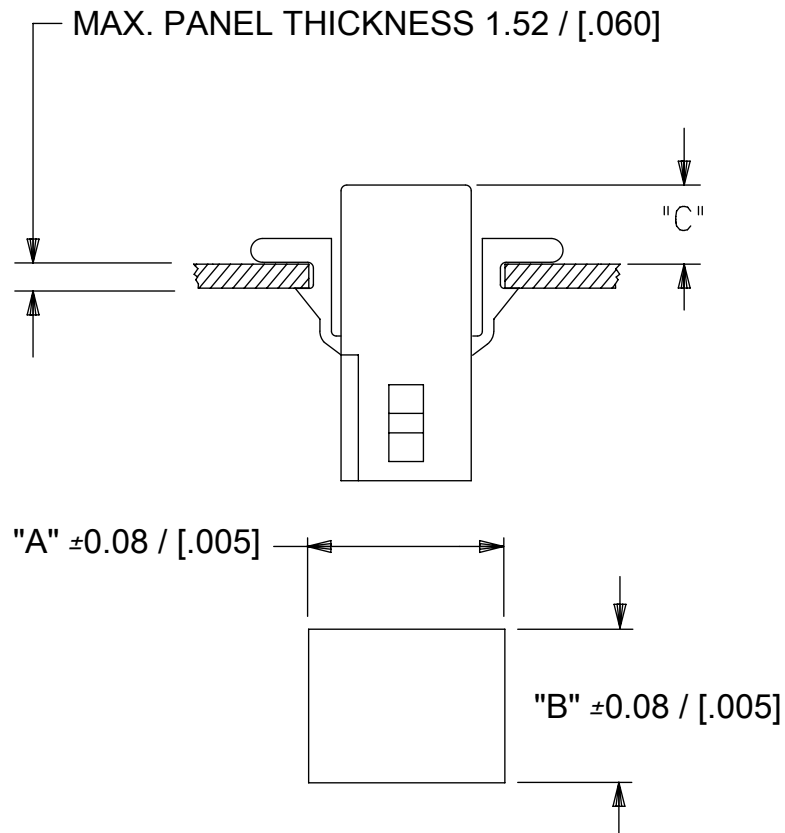
2004-\*\*\*

P = PLUG  
R = RECEPTACLE

BLANK = WITH STANDARD EARS  
1 = WITHOUT EARS  
2 = WITH PREBENT EARS

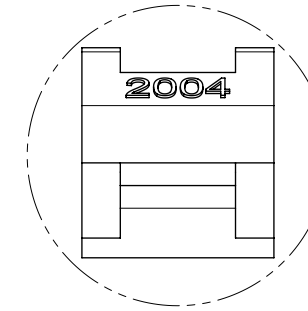
COLOR:  
BLANK = NATURAL  
AM=AMBER BK=BLACK BU=BLUE  
BN=BROWN GY=GRAY GN=GREEN  
OR=ORANGE RD=RED YW=YELLOW

DETAIL D  
STANDARD MOUNTING EARS  
(SCALE 4:1)

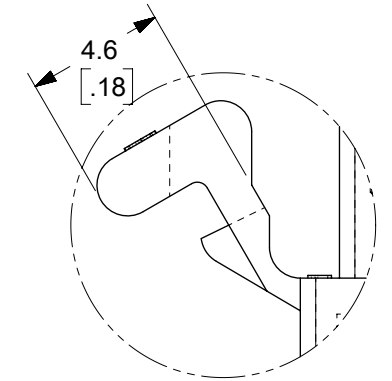


NOTES:

1. MATERIAL: NYLON 6/6 UL94V-2, COLOR: SEE LEGEND
2. FINISH: NONE
3. PRODUCT SPECIFICATION: PS-02-06
4. PACKAGING SPECIFICATION: 20040000-PK
5. THIS DIMENSION DEPENDS ON TOOLING AND MAY BE 0.75/(19.1) ON SOME PARTS.
6. HOUSINGS FOR USE WITH MOLEX .062/(1.57) DIA. TERMINALS.
7. CIRCUIT I.D. NUMBERS ON SIDE OF HOUSING DEPENDS ON TOOLING AND MAY OR MAY NOT BE PRESENT.
8. PARTS CONFORM TO CLASS B REQUIREMENTS OF COSMETIC SPECIFICATION PS-45499-002.
9. DRAWING REPLACES SD-2004-\*



DETAIL F  
SCALE 4:1



DETAIL E  
SCALE 4:1

PRE-BENT MOUNTING EARS  
(SCALE 4:1)

RECOMMENDED HOLE PATTERN

HOUSING	DIM. "A"		DIM. "B"		PREBENT EAR DIM. "C"		STD. EAR DIM. "C"	
	MM	IN	MM	IN	MM	IN	MM	IN
PLUG	15.62	.615	11.81	.465	6.6	.26	6.6	.26
RECEPTACLE	12.85	.506	10.16	.400	6.1	.24	6.1	.24

QUALITY SYMBOLS	THIS DRAWING CONTAINS INFORMATION THAT IS PROPRIETARY TO MOLEX ELECTRONIC TECHNOLOGIES, LLC AND SHOULD NOT BE USED WITHOUT WRITTEN PERMISSION										
	CORRECT NOTE 5	2016/09/22	2016/10/17	2016/10/25	GENERAL TOLERANCES (UNLESS SPECIFIED)		DIMENSION UNITS	SCALE			
EC NO: 109320		DRWN: MKIPPER	CHKD: MKIPPER	APPR: FSMITH	MM	INCH	MM/IN	1:1			
▽ = 0	4 PLACES ±     ± 3 PLACES ±     ± 0.01 2 PLACES ± 0.25 ± 0.014 1 PLACES ± 0.36 ± 0 PLACES ±     ±	DRWN BY		DATE		BAPPELDORN		2016/09/22		PLUG AND RECEPTACLE HOUSINGS 4 CIRCUIT .062 DIA., .145 CTRS.	
▽ = 0		CHK'D BY		DATE		MKIPPER		2016/09/22			
▽ = 0		APPR BY		DATE		FSMITH		2016/09/29		PRODUCT CUSTOMER DRAWING SERIES: 2004     MATERIAL NUMBER: SEE CHART     CUSTOMER: GENERAL MARKET	
▽ = 0		ANGULAR TOL ± 1.0		DRAWING SIZE		THIRD ANGLE PROJECTION		B			
▽ = 0		DRAFT WHERE APPLICABLE MUST REMAIN WITHIN DIMENSIONS								DOCUMENT NUMBER: 20040000-SD     DOC TYPE: PSD     DOC PART: 000     SHEET NUMBER: 3 OF 3	

## X-ON Electronics

Largest Supplier of Electrical and Electronic Components

*Click to view similar products for [molex](#) manufacturer:*

Other Similar products are found below :

[60506-C-50](#) [73108](#) [72903](#) [1062837003](#) [0533241060](#) [68301-1017](#) [71506-C](#) [880504](#) [387790039](#) [53254-0710](#) [85071-0017](#) [387204903](#)  
[783472003](#) [514412093](#) [0436500518](#) [0194180027](#) [0192210405](#) [0191640082](#) [0982660127](#) [0152670317](#) [0192210414](#) [0982670277](#)  
[0026482195](#) [0191310031](#) [503308-4410](#) [0190070015](#) [02-09-6102](#) [0008650814](#) [791099208](#) [0039000218](#) [89762-1403](#) [89762-1542](#) [89762-](#)  
[1582](#) [0011404526](#) [00136](#) [0022173102](#) [0026615060](#) [CR4006A30M003](#) [0039532085](#) [58098-0628](#) [0003092041](#) [0008520123](#) [0011030025](#)  
[0011184017](#) [0022162060](#) [0022552102](#) [01312](#) [M15730061](#) [61432](#) [6150300002](#)