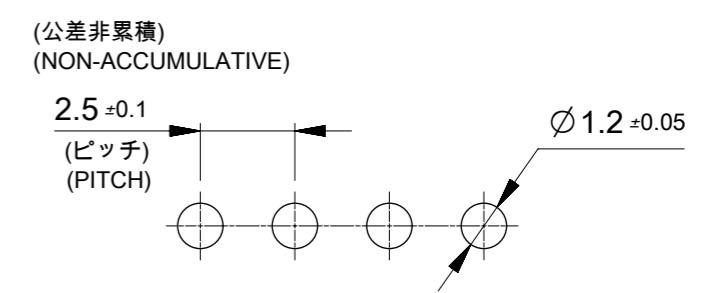
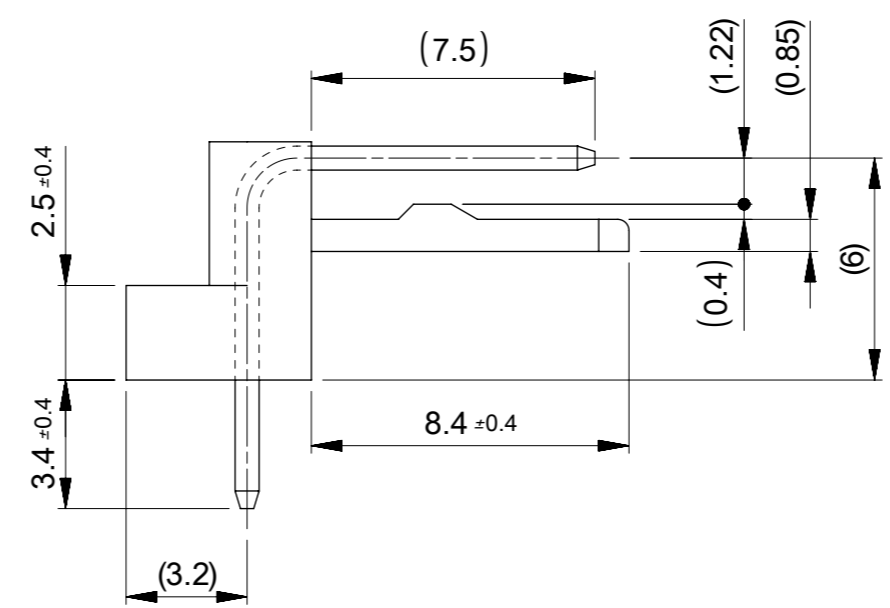
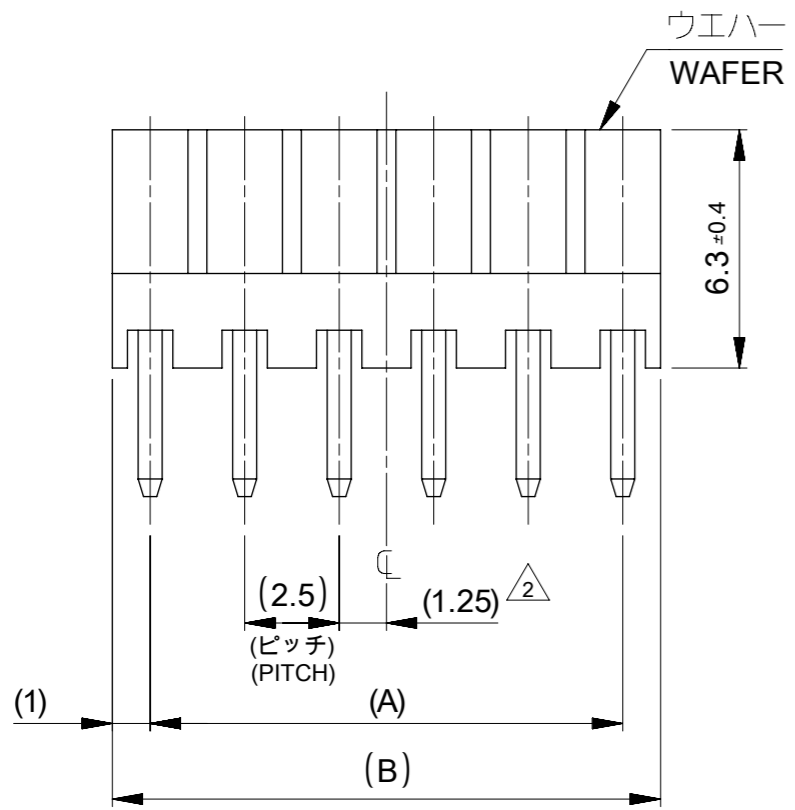


注記
NOTES:

- 材料(MATERIAL)
 ウェハー : ポリアミド, UL94V-0
 WAFER: POLYAMIDE, UL94V-0
 ピン: □0.635 黄銅
 ニッケル下地: 2micro-meter MIN. 金めっき: 0.35micro-meter MIN.
 PIN: □0.635 BRASS
 NICKEL: 2micro-meter MIN. Au PLATING: 0.35micro-meter MIN.
- △全極数が偶数の場合のみ適用。
 APPLY FOR EVEN CIRCUITS PRODUCT ONLY.
- 本図面はSD-5046-NAG REV-Fの再作成図面です。
 THIS DOCUMENT HAS BEEN RE-DRAWING BASED ON SD-5046-NAG, REV-F.



基板取付穴推奨寸法
RECOMMENDED P.W.BOARD HOLE DIM.



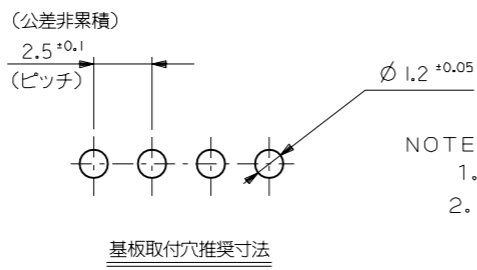
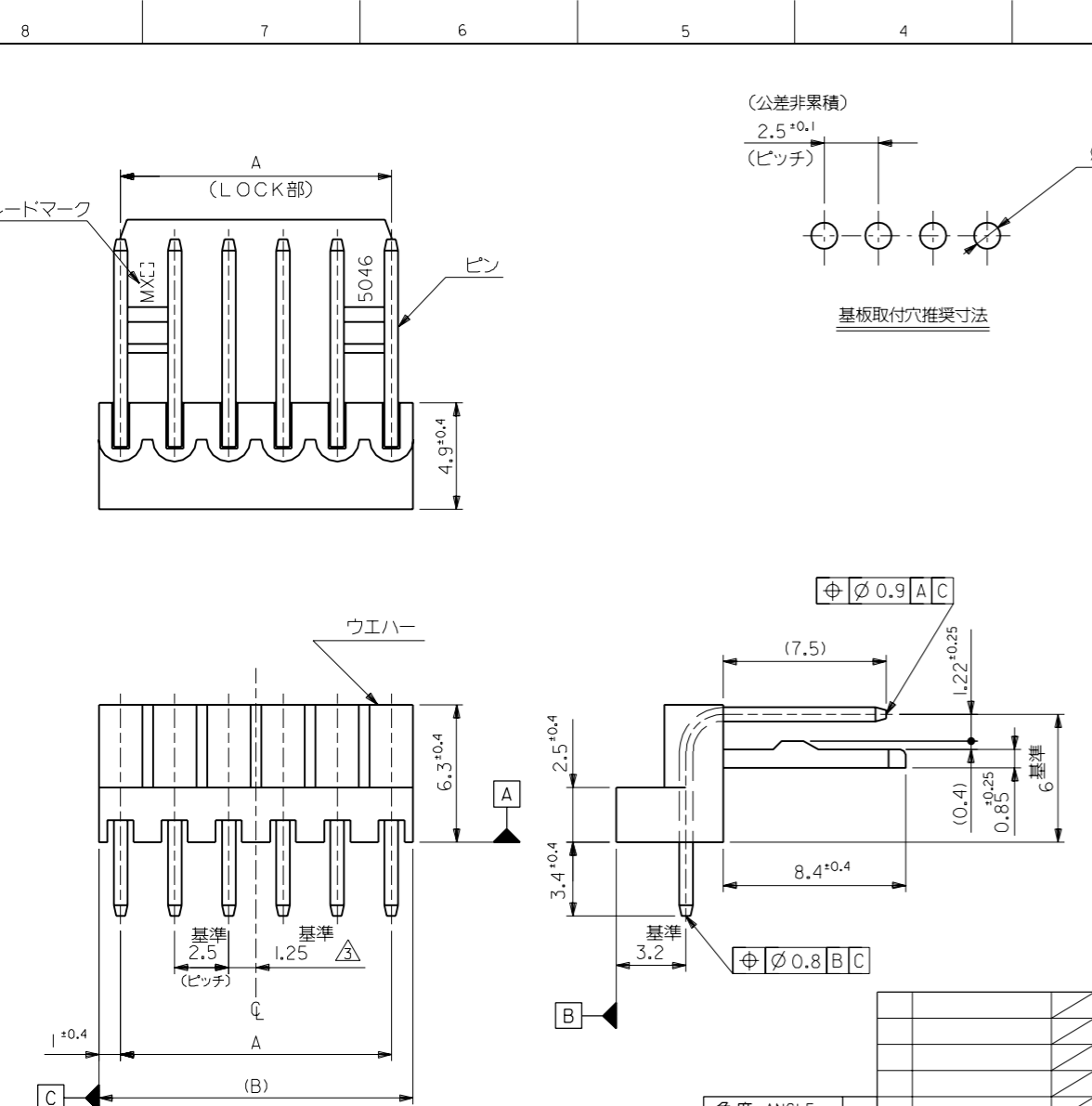
29.5	27.5	22121122	5046-12AG	12
24.5	22.5	22121102	5046-10AG	10
22	20	22121092	5046-09AG	9
19.5	17.5	22121082	5046-08AG	8
17	15	22121072	5046-07AG	7
14.5	12.5	22121062	5046-06AG	6
12	10	22121052	5046-05AG	5
9.5	7.5	22121042	5046-04AG	4
7	5	22121032	5046-03AG	3
4.5	2.5	22121022	5046-02AG	2
(B)	(A)	ORDER NO.	ENG. NO.	CKT.

THIS DRAWING CONTAINS INFORMATION THAT IS PROPRIETARY TO MOLEX ELECTRONIC TECHNOLOGIES, LLC AND SHOULD NOT BE USED WITHOUT WRITTEN PERMISSION

DIMENSION UNITS mm	SCALE 5:1	CURRENT REV DESC: REVISED&REDRAWING		molex		
GENERAL TOLERANCES (UNLESS SPECIFIED)		EC NO: 603664				
ANGULAR TOL ± °		DRWN: ABABU01	2017/11/28	PRODUCT CUSTOMER DRAWING		
4 PLACES ±		CHK'D: SAKIYAMA	2019/06/21	DOCUMENT NUMBER		
3 PLACES ±		APPR: KOMURAKAMI	2019/06/21	50460001		
2 PLACES ± 0.2		INITIAL REVISION:		DOC TYPE	DOC PART	REVISION
1 PLACE ± 0.2		DRWN: ABABU01	2017/11/28	PSD	000	A
0 PLACES ± 0.2		APPR: KOMURAKAMI	2019/06/21	SHEET NUMBER		
DRAFT WHERE APPLICABLE MUST REMAIN WITHIN DIMENSIONS	THIRD ANGLE PROJECTION	DRAWING	SERIES	MATERIAL NUMBER	CUSTOMER	
		A3-SIZE	5046	SEE CHART	GENERAL	1 OF 1

EDP NO. 22-12-1**2
 ENG. NO. SD-5046-NAG

ALL DIMENSIONS IN METRIC DO NOT SCALE DRAWING



NOTES:
 1. そり長さは25.4に対して0.2MAX.
 2. 材料
 ウエハー: 66ナイロン, UL94V-0
 ピン: 0.635 黄銅
 ニッケル下地: 2µm MIN.
 金メッキ: 0.35µm MIN.
 △ 全極数が偶数の場合のみ適用

49.5	47.5	22-12-1202	5046-20AG	20
47	45	-1192	-19AG	19
44.5	42.5	-1182	-18AG	18
42	40	-1172	-17AG	17
39.5	37.5	-1162	-16AG	16
37	35	-1152	-15AG	15
34.5	32.5	-1142	-14AG	14
32	30	-1132	-13AG	13
29.5	27.5	-1122	-12AG	12
27	25	-1112	-11AG	11
24.5	22.5	-1102	-10AG	10
22	20	-1092	-09AG	9
19.5	17.5	-1082	-08AG	8
17	15	-1072	-07AG	7
14.5	12.5	-1062	-06AG	6
12	10	-1052	-05AG	5
9.5	7.5	-1042	-04AG	4
7	5	-1032	-03AG	3
4.5	2.5	22-12-1022	5046-02AG	2
(B)	A	EDP NO.	ENG.NO.	極数

角度 ANGLE	+3°
30以上 OVER	+0.3
10以上 30未満 UNDER	+0.25
10未満 UNDER	+0.2
一般公差 GENERAL TOLERANCES	

材料 MATERIAL	図中参照
仕上げ FINISH	—
適用電線範囲 WIRE RANGE	—
被覆外径 INS. RANGE	—
DRAWN BY '90/3/23 Y.MIZUNO	CHK'D BY '92/10/21 M.FUKUSHIMA
APP'D BY '92/10/21 M.ENOMOTO	尺度 SCALE 5-1

EDP. NO.	22-12-1**2
ENG. NO.	SD-5046-NAG
REV	F
TITLE 名称	KK2.5 RIGHT ANGLE WAFER ASS'Y

X-ON Electronics

Largest Supplier of Electrical and Electronic Components

Click to view similar products for [molex](#) manufacturer:

Other Similar products are found below :

[60506-C-50](#) [73108](#) [72903](#) [1062837003](#) [0533241060](#) [68301-1017](#) [71506-C](#) [880504](#) [387790039](#) [53254-0710](#) [85071-0017](#) [387204903](#)
[783472003](#) [514412093](#) [0436500518](#) [0194180027](#) [0192210405](#) [0191640082](#) [0982660127](#) [0152670317](#) [0192210414](#) [0982670277](#)
[0026482195](#) [0191310031](#) [503308-4410](#) [0190070015](#) [02-09-6102](#) [0008650814](#) [791099208](#) [0039000218](#) [89762-1403](#) [89762-1542](#) [89762-](#)
[1582](#) [0011404526](#) [00136](#) [0022173102](#) [0026615060](#) [CR4006A30M003](#) [0039532085](#) [58098-0628](#) [0003092041](#) [0008520123](#) [0011030025](#)
[0011184017](#) [0022162060](#) [0022552102](#) [01312](#) [M15730061](#) [61432](#) [6150300002](#)