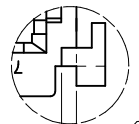
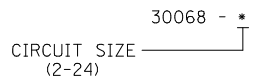


CKT. SIZE	ENG. NO.	EDP. NO.	DIM. "A" REF.	DIM. "B"
2	30068-2	15-97-6021	----	.467 (11.86)
4	30068-4	15-97-6041	.165 (4.20)	.467 (11.86)
6	30068-6	15-97-6061	.331 (8.40)	.633 (16.08)
8	30068-8	15-97-6081	.496 (12.60)	.798 (20.27)
10	30068-10	15-97-6101	.661 (16.80)	.963 (24.46)
14	30068-14	NOT TOOLED	.992 (25.20)	1.294 (32.87)
16	30068-16	15-97-6161	1.157 (29.40)	1.459 (37.06)

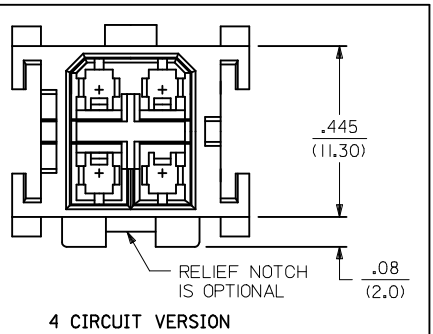
SEE SHT. 2 FOR 18 THRU 24 CKT'S.

LEGEND:

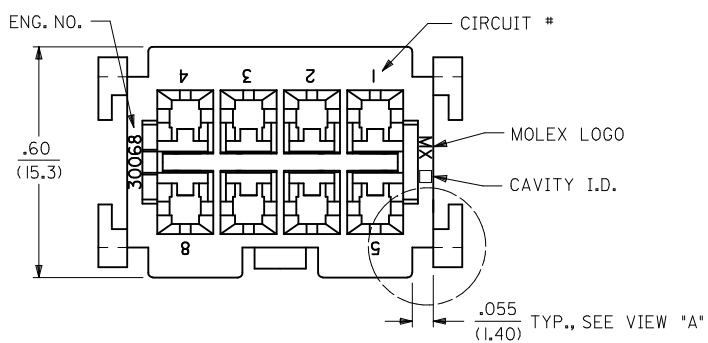


.04 (1.0) ON 6 & 16 CKT. PARTS ONLY.

VIEW "A"

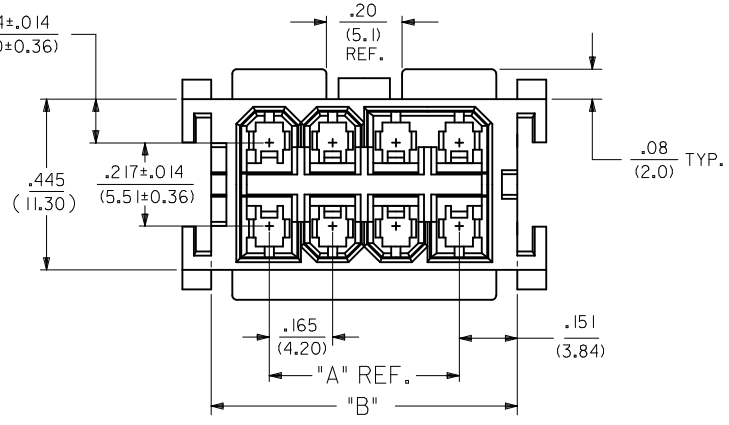
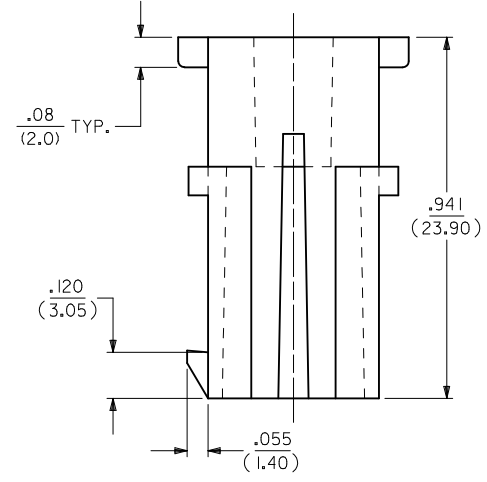
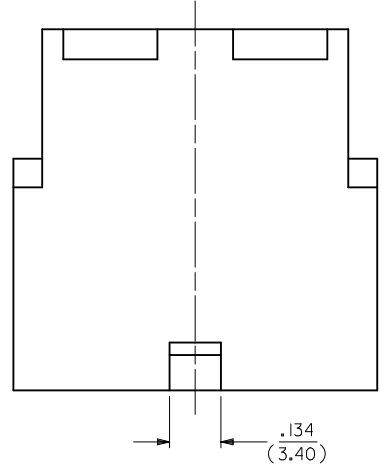
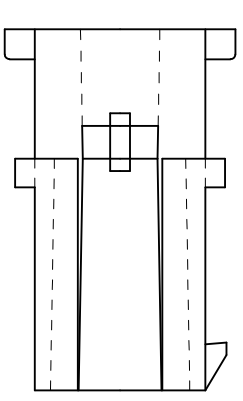


SEE SHT. #3 FOR PARTS WITH MOUNTING EARS



NOTES:

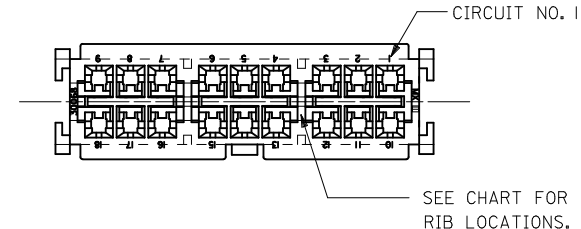
1. MATERIAL: UNFILLED POLYESTER, U.L. 94V-0, COLOR: BLACK
2. FINISH: N/A
3. PRODUCT SPECIFICATION: PS-5556-003
4. PACKAGING: BULK
5. HOUSING TO BE USED WITH TERMINAL #5558.
6. HOUSING MATES WITH RECEPTACLE #30067
7. 2 THRU 10 AND 14 THRU 24 CKT. HOUSING TO BE USED WITH T.P.A. NO. 30072-*
8. PART CONFORMS TO CLASS "B" REQUIREMENTS OF COSMETIC SPECIFICATION PS-45499-002.



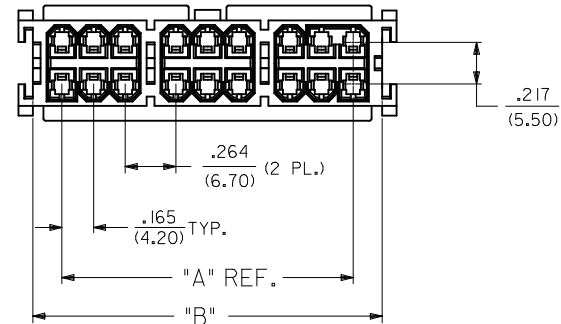
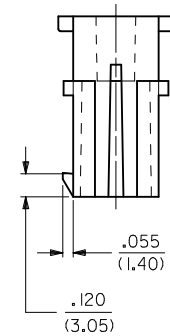
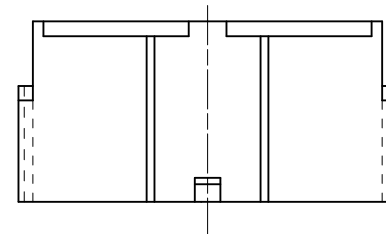
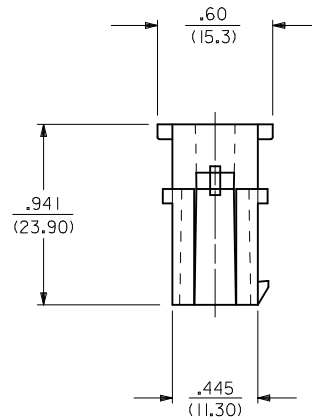
CORRECT NOTE 7 EC NO: UCP2012-0525 DRAWN: NGUYEN CHKD: BELL APPR: FSMITH R3	QUALITY SYMBOLS ▽=0 ▽=0 ▽=0	GENERAL TOLERANCES (UNLESS SPECIFIED)		DIMENSION STYLE IN/MM	SCALE 4:1	DESIGN UNITS METRIC	THIRD ANGLE PROJECTION	
		mm	INCH	DRAWN BY DMF	DATE 1989/10/26	TITLE MINI FIT TPA PLUG HSG 2 THRU 24 CIRCUITS WITH OR W/O MTG EARS		
		4 PLACES ± ---	± ---	CHECKED BY TGP	DATE 1989/10/26	MATERIAL NO. SD-30068-*		
		2 PLACES ± 0.25	± .014	APPROVED BY FSMITH	DATE 2011/08/25	MATERIAL NO. SD-30068-*		
		1 PLACE ± 0.36	± ---	MATERIAL NO. SD-30068-*		SHEET NO. 1 OF 3		
DRAFT WHERE APPLICABLE MUST REMAIN WITHIN DIMENSIONS		ANGULAR ±1/2°		SEE CHART		THIS DRAWING CONTAINS INFORMATION THAT IS PROPRIETARY TO MOLEX INCORPORATED AND SHOULD NOT BE USED WITHOUT WRITTEN PERMISSION		

CKT. NO.	ENG. NO.	PART NO.	DIM.* A'	DIM.* B'	RIBS LOCATED BETWEEN CKT'S.
18	30068-18	NOT TOOLED	$\frac{1.520}{(38.60)}$	$\frac{1.822}{(46.28)}$	3,4 & 6,7
20	30068-20	NOT TOOLED	$\frac{1.685}{(42.80)}$	$\frac{1.987}{(50.46)}$	3,4 & 7,8
22	30068-22	NOT TOOLED	$\frac{1.850}{(47.00)}$	$\frac{2.152}{(54.66)}$	4,5 & 7,8
24	30068-24	NOT TOOLED	$\frac{2.016}{(51.20)}$	$\frac{2.318}{(58.88)}$	4,5 & 8,9

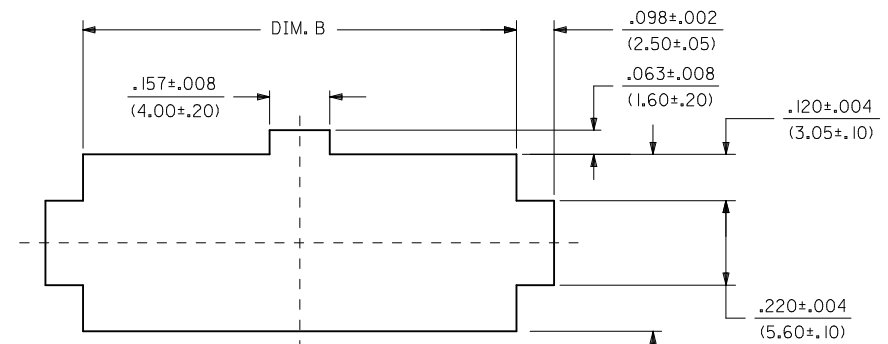
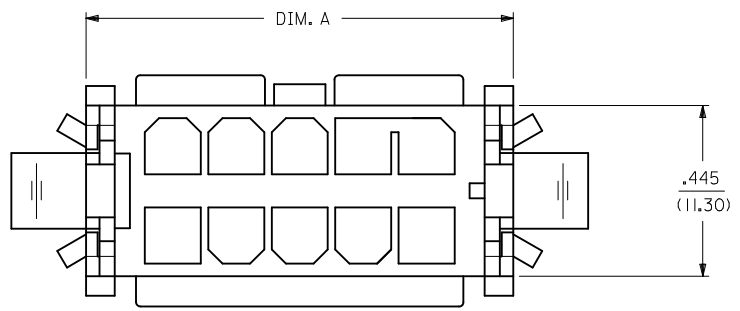
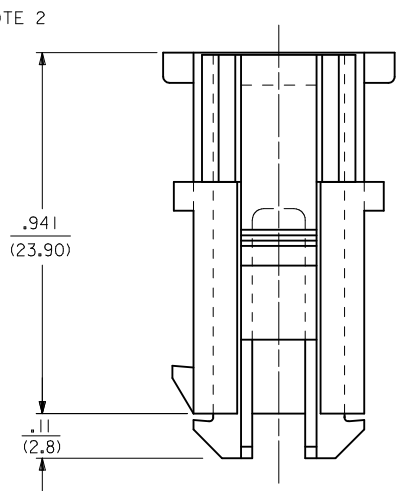
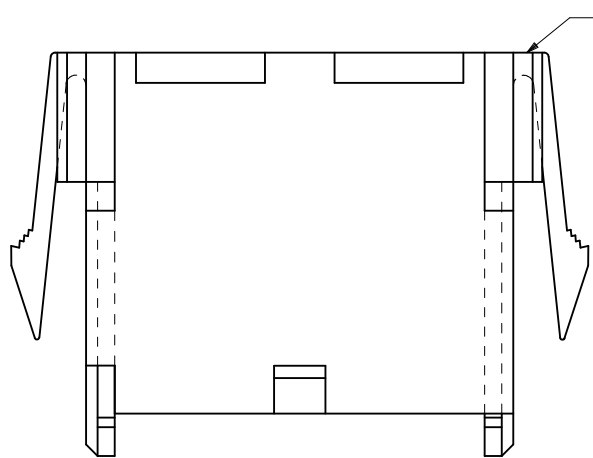
SEE SHT. 1 FOR 2 THRU 16 CKT'S.



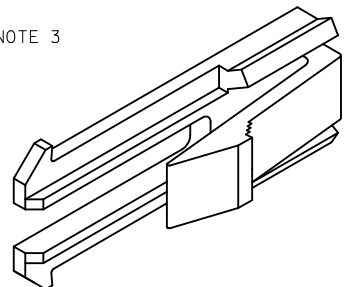
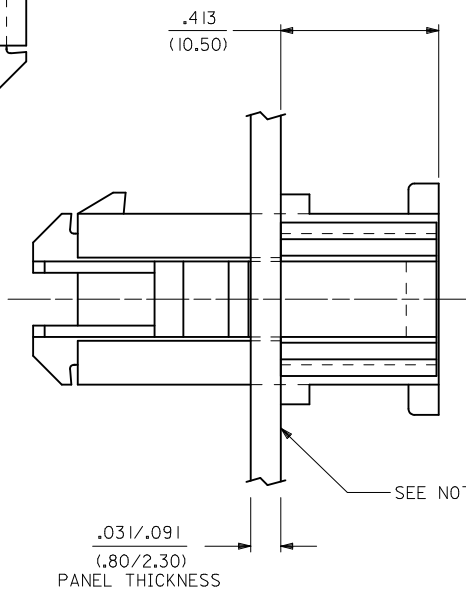
LEGEND:
30068 - *
CIRCUIT SIZE
(18-24)



SEE SHEET 1 EC NO: UCP2012-0525 DRAWN: NGUYEN 2011/08/22 CHKD: BELL 2011/08/22 APPR: FSMITH 2011/08/25	QUALITY SYMBOLS ▽=0 ▽=0 ▽=0	GENERAL TOLERANCES (UNLESS SPECIFIED)		DIMENSION STYLE IN/MM		SCALE 2:1	DESIGN UNITS METRIC	THIRD ANGLE PROJECTION		
			mm	INCH	DRAWN BY DMF	DATE 1989/10/26	TITLE MINI FIT TPA PLUG HSG 2 THRU 24 CIRCUITS WITH OR W/O MTG EARS			
		4 PLACES ± --- ± ---	3 PLACES ± --- ± .010	2 PLACES ± 0.25 ± .014	CHECKED BY TGP	DATE 1989/10/26				
		1 PLACE ± 0.36 ± ---	ANGULAR ± 1/2°		APPROVED BY FSMITH	DATE 2011/08/25	MATERIAL NO. SD-30068-*			
R3	DESCRIPTION	DRAFT WHERE APPLICABLE MUST REMAIN WITHIN DIMENSIONS		SEE CHART		DOCUMENT NO.		SHEET NO. 2 OF 3		
THIS DRAWING CONTAINS INFORMATION THAT IS PROPRIETARY TO MOLEX INCORPORATED AND SHOULD NOT BE USED WITHOUT WRITTEN PERMISSION										



RECOMMENDED PANEL OPENING FOR USE WITH PLUGS WITH MOUNTING EARS.
RECOMMENDED PANEL THICKNESS .031/(0.8)-.08/(2.0).



NOTES:

- 1) MOUNTING EAR MATERIAL: UNFILLED POLYESTER, P.B.T., COLOR: BLACK.
- 2) MOUNTING EARS TO BE INSERTED INTO SIDE SLOTS FROM BACK OF HOUSING.
- 3) HOUSING ASSEMBLY TO BE INSERTED FROM PUNCH SIDE OF PANEL.
- 4) REFER TO DRAWING SD-43130-0001 MOUNTING EAR INFORMATION

NUMBER OF CIRCUITS	DIM. A	DIM. B
2	.617 (15.67)	.634 (16.10)
4	.617 (15.67)	.634 (16.10)
6	.783 (19.89)	.799 (20.30)
8	.948 (24.08)	.965 (24.50)
10	1.113 (28.27)	1.130 (28.70)
12	1.279 (32.49)	1.295 (32.90)
14	1.444 (36.68)	1.461 (37.10)
16	1.609 (40.87)	1.626 (41.30)
18	1.972 (50.09)	1.988 (50.50)
20	2.137 (54.28)	2.154 (54.70)
22	2.303 (58.50)	2.319 (58.90)
24	2.468 (62.69)	2.484 (63.10)

SEE SHEET 1 EC NO: UCP2012-0525 DRW: NGUYEN CHKD: BELL APPR: FSMITH REV: R3	2011/08/22 2011/08/22 2011/08/25	QUALITY SYMBOLS ∇=0 ∇=0 ∇=0	GENERAL TOLERANCES (UNLESS SPECIFIED) <table border="1"> <tr> <th></th> <th>mm</th> <th>INCH</th> </tr> <tr> <td>4 PLACES</td> <td>± .010</td> <td>± .0004</td> </tr> <tr> <td>3 PLACES</td> <td>± .010</td> <td>± .0004</td> </tr> <tr> <td>2 PLACES</td> <td>± 0.25</td> <td>± .010</td> </tr> <tr> <td>1 PLACE</td> <td>± 0.36</td> <td>± .014</td> </tr> </table>			mm	INCH	4 PLACES	± .010	± .0004	3 PLACES	± .010	± .0004	2 PLACES	± 0.25	± .010	1 PLACE	± 0.36	± .014	DIMENSION STYLE IN/MM	SCALE 4:1	DESIGN UNITS METRIC	THIRD ANGLE PROJECTION
		mm	INCH																				
	4 PLACES	± .010	± .0004																				
	3 PLACES	± .010	± .0004																				
2 PLACES	± 0.25	± .010																					
1 PLACE	± 0.36	± .014																					
DRAWN BY: DMF DATE: 1989/10/26 CHECKED BY: TGP DATE: 1989/10/26 APPROVED BY: FSMITH DATE: 2011/08/25		MATERIAL NO. SEE CHART DOCUMENT NO. SD-30068-*		MOLEX INCORPORATED		MINI FIT TPA PLUG HSG 2 THRU 24 CIRCUITS WITH OR W/O MTG EARS																	
DRAFT WHERE APPLICABLE MUST REMAIN WITHIN DIMENSIONS		SIZE C		THIS DRAWING CONTAINS INFORMATION THAT IS PROPRIETARY TO MOLEX INCORPORATED AND SHOULD NOT BE USED WITHOUT WRITTEN PERMISSION		SHEET NO. 3 OF 3																	

X-ON Electronics

Largest Supplier of Electrical and Electronic Components

Click to view similar products for [I/O Connectors](#) category:

Click to view products by [Molex](#) manufacturer:

Other Similar products are found below :

[571763P](#) [58098-0628](#) [61-168618-12P](#) [D38999/20FJ29SB L/C](#) [72.250.1628.2](#) [72.250.2428.2](#) [74720-0505](#) [747680210](#) [76.350.0729.0](#) [76871-1403](#) [FCN-244F080-G/1](#) [FCN-260A9920](#) [FCN-268D024-G/2F#10X-R10](#) [MP-5T180MUNNA-005](#) [MP-5XRJ45UNNB-003](#) [PCS-E50FA](#) [PCS-XE26LKA](#) [PCS-XE26MA+](#) [PCS-XES68MS+](#) [G38A71314B](#) [91-569719-35R](#) [9776-18-6](#) [DX40-50P\(55\)](#) [1571250010](#) [157-22500-3](#) [MS3471L14-19P L/C](#) [171224-6031](#) [1888020-8](#) [91-569786-35H](#) [91-569786-35M](#) [91-644626-35P](#) [172501-4002](#) [172501-6002](#) [FCN-260C008-A/L0](#) [FCN-260C024-AL0](#) [FCN-268D008-G/1K](#) [2000314-1](#) [200331-1](#) [2007498-2](#) [PCR-E28LMDAG1+](#) [PCR-E36FC+](#) [PCS-E28FS+](#) [PCS-XE26SLFD+](#) [PCS-XE26SLFDT+](#) [G38A71214B](#) [HDRA-E68W1LFDTC-SL+](#) [HDR-E14MSG1+](#) [R88A-CNK81S](#) [CRT1-ATT02](#) [54182-0605](#)