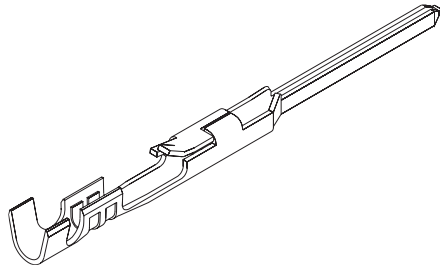


2.54mm (.100") Pitch**SL™
Terminal****70021
Male, Crimp****Features and Benefits**

- Dual tab strain relief
- Locking tang secures terminal in housing

Reference Information

Product Specification: PS-70021
 Packaging: Reel or bag
 Mates With: 70058 and 71851 female crimp terminals,
 and 70400 and 70430 connector assemblies
 Use With: 70066D and 70107 housings
 Designed In: Inches

Electrical

Voltage: 250V
 Current: 3.0A
 Contact Resistance: 15 milliohms max.
 Insulation Resistance: 10,000 Megohms min.

Mechanical

Wire Pull-Out Force: 17.79N (4.0 lb) min.
 Durability: Tin—25 cycles; Gold—50 cycles

Physical

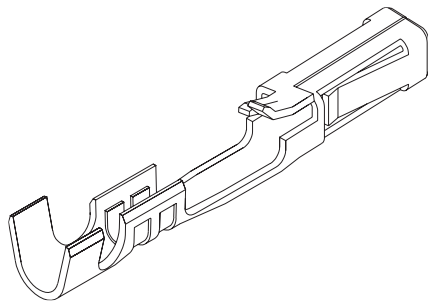
Contact: Copper Alloy
 Plating: See Table
 Operating Temperature: -40 to +105°C
 Wire Gauge: 22 to 24 and 24 to 30 AWG

Not For Use With C-Grid III™ Components

Reel				
Order No.	Plating	Wire Range (AWG) Stranded	Insulation Maximum Outside Diameter	Lead-free
16-02-0116	1	22-24	1.63 (.064)	Yes
16-02-0078		24-30	1.52 (.060)	
16-02-0081	2	22-24	1.63 (.064)	
16-02-0077		24-30	1.52 (.060)	
16-02-0107	3	22-24	1.63 (.064)	
16-02-0105		24-30	1.52 (.060)	

Plating No. 1: 30µm min. Gold in select area over 50µm min. Nickel overall with 75µm Tin in select area
 Plating No. 2: 15µm min. Gold in select area over 50µm min. Nickel overall with 75µm min. Tin in select area
 Plating No. 3: 150µm Tin over 50µm Nickel overall
 Each reel contains 20,000 terminals

Bag				
Order No.	Plating	Wire Range (AWG) Stranded	Insulation Maximum Outside Diameter	Lead-free
16-02-0117	1	22-24	1.63 (.064)	Yes
16-02-0110		24-30	1.52 (.060)	
16-02-0115	2	22-24	1.63 (.064)	
16-02-0109		24-30	1.52 (.060)	
16-02-0114	3	22-24	1.63 (.064)	
16-02-0108		24-30	1.52 (.060)	

2.54mm (.100") Pitch**SL™
Terminal****70058
Female Box, Crimp****Features and Benefits**

- Dual beam, fully-enclosed box contact
- Dual tab strain relief
- Locking tang secures terminal in housing

Reference Information

Product Specification: PS-70058
 Packaging: Reel or bag
 Mates With: 70021 male crimp terminals and
 0.64mm (.025") square pins
 Use With: All 70066 and 70450 housings
 Designed In: Inches

Electrical

Voltage 250V
 Current: 3.0A
 Contact Resistance: 15 milliohms max.
 Insulation Resistance: 10,000 Megohms min.

Mechanical

Contact Retention to Housing: 17.79N (4.0 lb) min.
 Wire Pull-Out Force: 17.79N (4.0 lb) min.
 Mating Force: 2.22N (.50 lb) max.
 Unmating Force: 0.28N (.06 lb) min.
 Normal Force: 0.98N (.22 lb) min.
 Durability: Tin—25 cycles; Gold—50 cycles

Physical

Contact: Copper Alloy
 Plating: See Table
 Operating Temperature: -40 to +105°C
 Wire Gauge: 22 to 24 and 24 to 30 AWG

Not For Use With C-Grid III™ Components

Reel				
Order No.	Plating	Wire Range (AWG) Stranded	Insulation Maximum Outside Diameter	Lead-free
16-02-0088	1	22-24	1.63 (.064)	Yes
16-02-0083		24-30	1.52 (.060)	
16-02-0087	2	22-24	1.63 (.064)	
16-02-0082		24-30	1.52 (.060)	
16-02-0086	3	22-24	1.63 (.064)	
16-02-0069		24-30	1.52 (.060)	

Plating No. 1: 30µm min. Gold in select area over 50µm min. Nickel overall with 75µm Tin in select area
 Plating No. 2: 15µm min. Gold in select area over 50µm min. Nickel overall with 75µm min. Tin in select area
 Plating No. 3: 150µm Tin over 50µm Nickel overall
 Each reel contains 20,000 terminals

Bag				
Order No.	Plating	Wire Range (AWG) Stranded	Insulation Maximum Outside Diameter	Lead-free
16-02-0104	1	22-24	1.63 (.064)	Yes
16-02-0098		24-30	1.52 (.060)	
16-02-0103	2	22-24	1.63 (.064)	
16-02-0097		24-30	1.52 (.060)	
16-02-0102	3	22-24	1.63 (.064)	
16-02-0096		24-30	1.52 (.060)	

X-ON Electronics

Largest Supplier of Electrical and Electronic Components

Click to view similar products for [I/O Connectors](#) category:

Click to view products by [Molex](#) manufacturer:

Other Similar products are found below :

[571763P](#) [58098-0628](#) [61-168618-12P](#) [D38999/20FJ29SB L/C](#) [72.250.1628.2](#) [72.250.2428.2](#) [74720-0505](#) [747680210](#) [76.350.0729.0](#) [76871-1403](#) [FCN-244F080-G/1](#) [FCN-260A9920](#) [FCN-268D024-G/2F#10X-R10](#) [MP-5T180MUNNA-005](#) [MP-5XRJ45UNNB-003](#) [PCS-E50FA](#) [PCS-XE26LKA](#) [PCS-XE26MA+](#) [PCS-XES68MS+](#) [G38A71314B](#) [91-569719-35R](#) [9776-18-6](#) [DX40-50P\(55\)](#) [1571250010](#) [157-22500-3](#) [MS3471L14-19P L/C](#) [171224-6031](#) [1888020-8](#) [91-569786-35H](#) [91-569786-35M](#) [91-644626-35P](#) [172501-4002](#) [172501-6002](#) [FCN-260C008-A/L0](#) [FCN-260C024-AL0](#) [FCN-261Z008](#) [FCN-268D008-G/1K](#) [2000314-1](#) [200331-1](#) [2007498-2](#) [PCR-E28LMDAG1+](#) [PCR-E36FC+](#) [PCS-E28FS+](#) [PCS-XE26SLFD+](#) [PCS-XE26SLFDT+](#) [G38A71214B](#) [HDRA-E68W1LFDTC-SL+](#) [HDR-E14MSG1+](#) [R88A-CNK81S](#) [CRT1-ATT02](#)