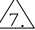
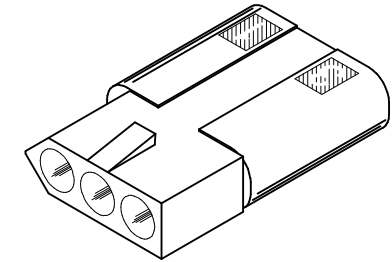
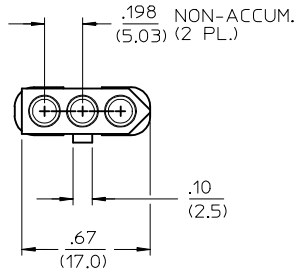
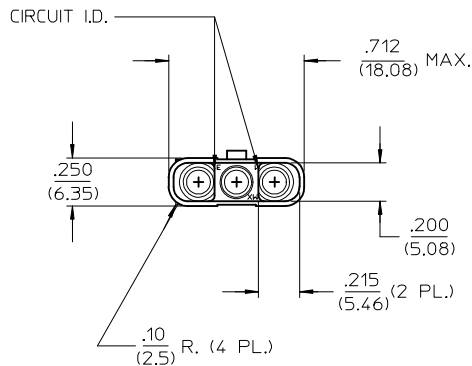
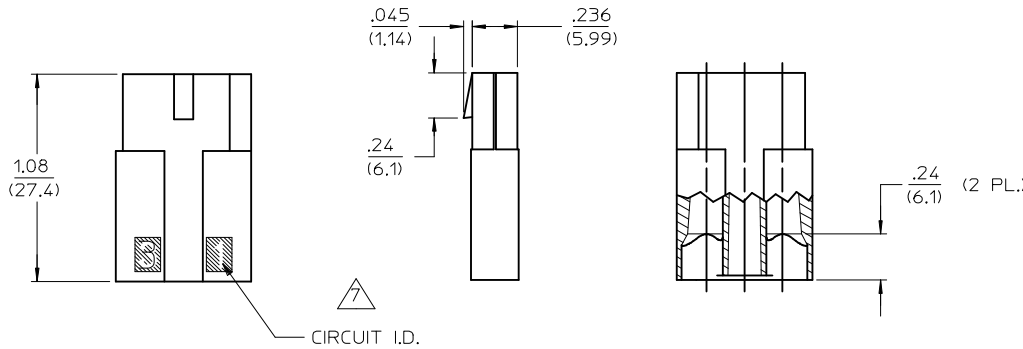


NOTES:

1. MATERIAL: A = NYLON 66, UL94V-2, COLOR: NATURAL.
2. FINISH: NONE
3. PRODUCT SPECIFICATION: NONE
4. PACKAGING SPECIFICATION: PK-6496-001.
5. THIS HOUSING IS FOR USE WITH MOLEX .093/(2.36) DIA. SERIES TERMINALS AND MATES WITH THE 1396-P* AND 42191-P* HOUSINGS.
6. THIS HOUSING IS PRIMARILY INTENDED FOR USE WITH APPLICATIONS USING 18 AWG, SPT-3 POWER CORDS. WHEN USING SPT-3 WIRE, TERMINALS CRIMPED TO THE OUTER CONDUCTORS (HAVING THE D-SHAPED INSULATION) ARE TO BE INSERTED IN CIRCUITS 1 & 3.
7.  CIRCUIT I.D. ON THIS SURFACE MAY OR MAY NOT BE PRESENT, DEPENDING ON AGE OF TOOL.
8. PARTS CONFORM TO CLASS B REQUIREMENTS OF COSMETIC SPECIFICATION PS-45499-002.



RECEPTACLE
POSITIVE LOCK RAMP VERSION
SCALE 3:1



REMOVE MATERIAL B EC NO: UCP2016-4759 DRAWING: BAPPELDORN 2016/08/22 CHKD: JAPPR:FSMITH 2016/08/23 REV: P3	DESCRIPTION	QUALITY SYMBOLS	GENERAL TOLERANCES (UNLESS SPECIFIED)		DIMENSION STYLE		SCALE	DESIGN UNITS	THIRD ANGLE PROJECTION	
		▽=0 ▽=0 ▽=0	mm	INCH	IN/MM		INCH	INCH		
			4 PLACES ± ---	± ---	DRAWN BY	DATE	TITLE			
			3 PLACES ± ---	± .010	CHECKED BY	DATE	.092/(2.36) HOUSING, RECEPTACLE, 3 CIRCUIT			
			2 PLACES ± 0.25	± .014	RW	1989/10/31	molex			
			1 PLACE ± 0.36	± ---	APPROVED BY	DATE				
			0 PLACE ±	±	GWf	1989/10/31	DOCUMENT NO.		SHEET NO.	
			ANGULAR ±1/2°		SEE CHART		SD-6496-3R*		1 OF 2	
			DRAFT WHERE APPLICABLE MUST REMAIN WITHIN DIMENSIONS		THIS DRAWING CONTAINS INFORMATION THAT IS PROPRIETARY TO MOLEX INCORPORATED AND SHOULD NOT BE USED WITHOUT WRITTEN PERMISSION					

RECEPTACLE	
PART NO.	ENG. NO.
03-09-1037	6496-3RA
03-09-1030	6496-3RB
PRELIMINARY	6496-3RC

LEGEND:

6496-***-*

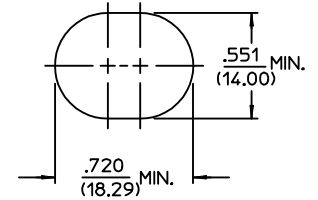
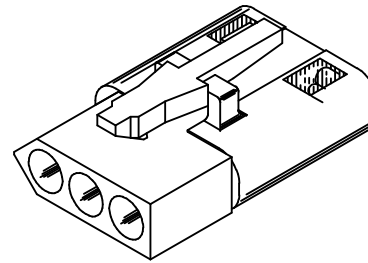
CIRCUIT SIZE

R = RECEPTACLE

VERSION

- A = WITH TOP MOUNTED THUMB LATCH
- B = WITH POSITIVE LOCK RAMP
- C = WITH BOTTOM MOUNTED THUMB LATCH

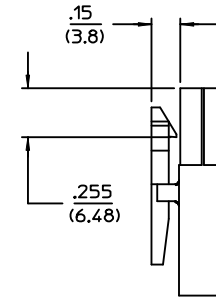
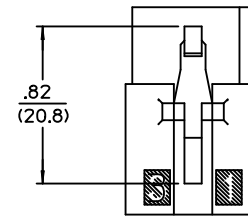
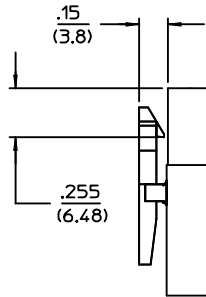
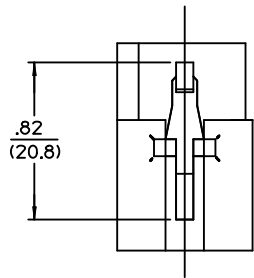
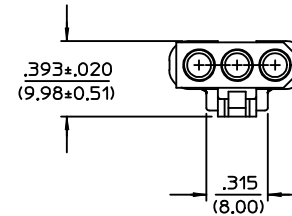
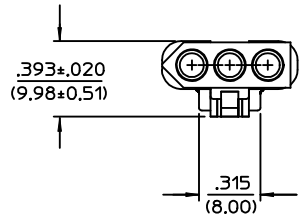
BLANK = MAT'L CODE A



RECEPTACLE

TOP MOUNTED THUMB LATCH VERSION SHOWN
SCALE 3:1

RECOMMENDED PANEL
OPENING



CIRCUIT I.D. NO'S.
ON THIS SIDE

BOTTOM MOUNTED THUMB LATCH VERSION
SEE SHEET 1 FOR OTHER DIMENSIONS

TOP MOUNTED THUMB LATCH VERSION
SEE SHEET 1 FOR OTHER DIMENSIONS

SEE SHEET 1 EC NO: UCP2016-4759 DRW: BAPPELDORN 2016/08/22 CHKD: P3 APPR: FSMITH 2016/08/23	QUALITY SYMBOLS = 0 = 0 = 0	GENERAL TOLERANCES (UNLESS SPECIFIED) <table border="1"> <thead> <tr> <th></th> <th>mm</th> <th>INCH</th> </tr> </thead> <tbody> <tr> <td>4 PLACES</td> <td>± .05</td> <td>± .002</td> </tr> <tr> <td>3 PLACES</td> <td>± .025</td> <td>± .010</td> </tr> <tr> <td>2 PLACES</td> <td>± 0.25</td> <td>± .014</td> </tr> <tr> <td>1 PLACE</td> <td>± 0.36</td> <td>± .014</td> </tr> <tr> <td>0 PLACE</td> <td>±</td> <td>±</td> </tr> </tbody> </table>		mm	INCH	4 PLACES	± .05	± .002	3 PLACES	± .025	± .010	2 PLACES	± 0.25	± .014	1 PLACE	± 0.36	± .014	0 PLACE	±	±	DIMENSION STYLE IN/MM DRAWN BY: GMC DATE: 1989/10/31 CHECKED BY: RW DATE: 1989/10/31 APPROVED BY: GWF DATE: 1989/10/31	SCALE: 2:1 DESIGN UNITS: INCH THIRD ANGLE PROJECTION	TITLE: .092/(2.36) HOUSING, RECEPTACLE, 3 CIRCUIT
		mm	INCH																				
	4 PLACES	± .05	± .002																				
	3 PLACES	± .025	± .010																				
	2 PLACES	± 0.25	± .014																				
1 PLACE	± 0.36	± .014																					
0 PLACE	±	±																					
	ANGULAR ±1/2° DRAFT WHERE APPLICABLE MUST REMAIN WITHIN DIMENSIONS	MATERIAL NO. SEE CHART	DOCUMENT NO. SD-6496-3R*	SHEET NO. 2 OF 2																			
		THIS DRAWING CONTAINS INFORMATION THAT IS PROPRIETARY TO MOLEX INCORPORATED AND SHOULD NOT BE USED WITHOUT WRITTEN PERMISSION																					

X-ON Electronics

Largest Supplier of Electrical and Electronic Components

Click to view similar products for [Pin & Socket Connectors](#) category:

Click to view products by [Molex](#) manufacturer:

Other Similar products are found below :

[6450822-1](#) [770392-1](#) [794042-1](#) [796885-1](#) [8-794535-1](#) [PLR3455ACS-222](#) [R929991004](#) [R929993003](#) [1403611-1](#) [1-480349-5](#) [152302-5](#)
[153211-2](#) [1586092-1](#) [1586129-1](#) [1586681-4](#) [1586700-1](#) [1586368-1](#) [1586380-1](#) [1586616-1](#) [1586680-5](#) [16-06-0038](#) [164164-5](#) [1-6609930-1](#)
[172296-1](#) [19-09-2035](#) [200503-1](#) [200788-2](#) [2029090-4](#) [2029095-4](#) [925061-7](#) [293734-4](#) [293737-2](#) [1-765362-4](#) [1871534-1](#) [200833-4](#)
[2008625-2](#) [2029027-2](#) [2029096-4](#) [R929991000](#) [R929991002](#) [R929993000](#) [319-10-101-00-005000](#) [319-10-102-00-001000](#) [319-10-104-00-001000](#) [319-10-105-00-001000](#) [319-10-108-00-001000](#) [319-10-112-00-006000](#) [39-01-8019](#) [319-10-101-00-001000](#) [319-10-102-00-005000](#)