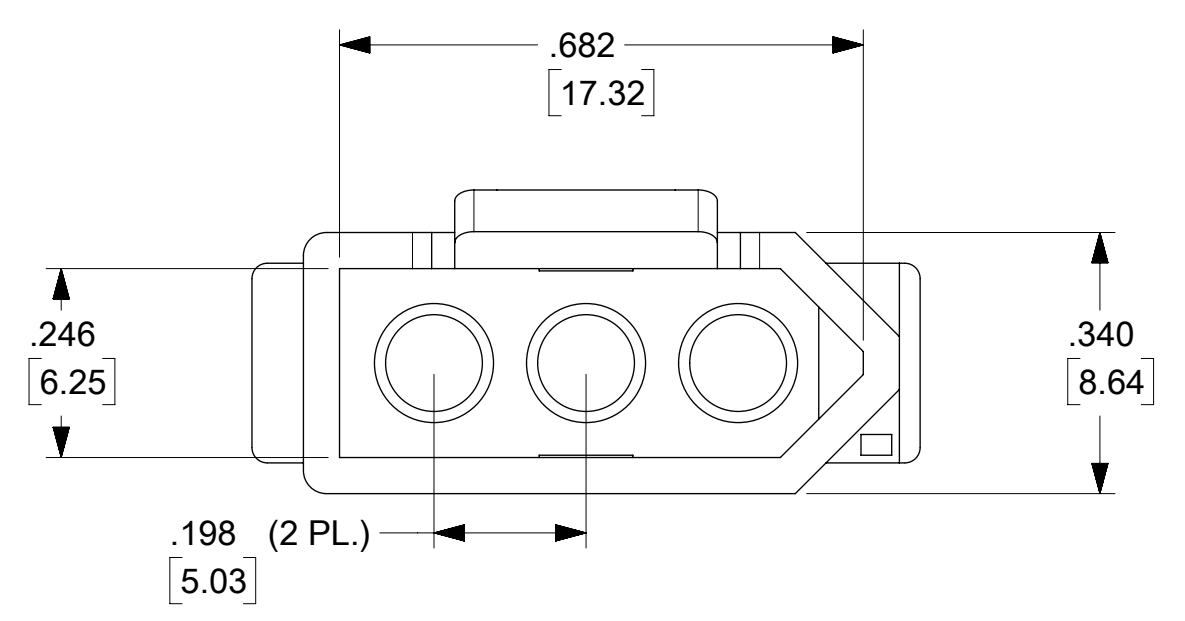
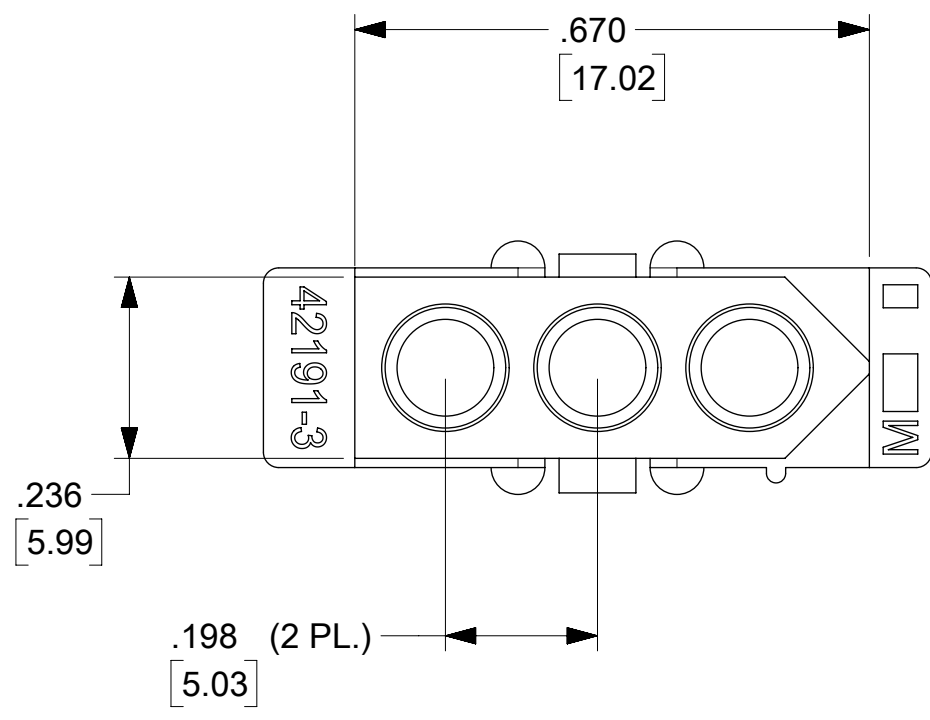
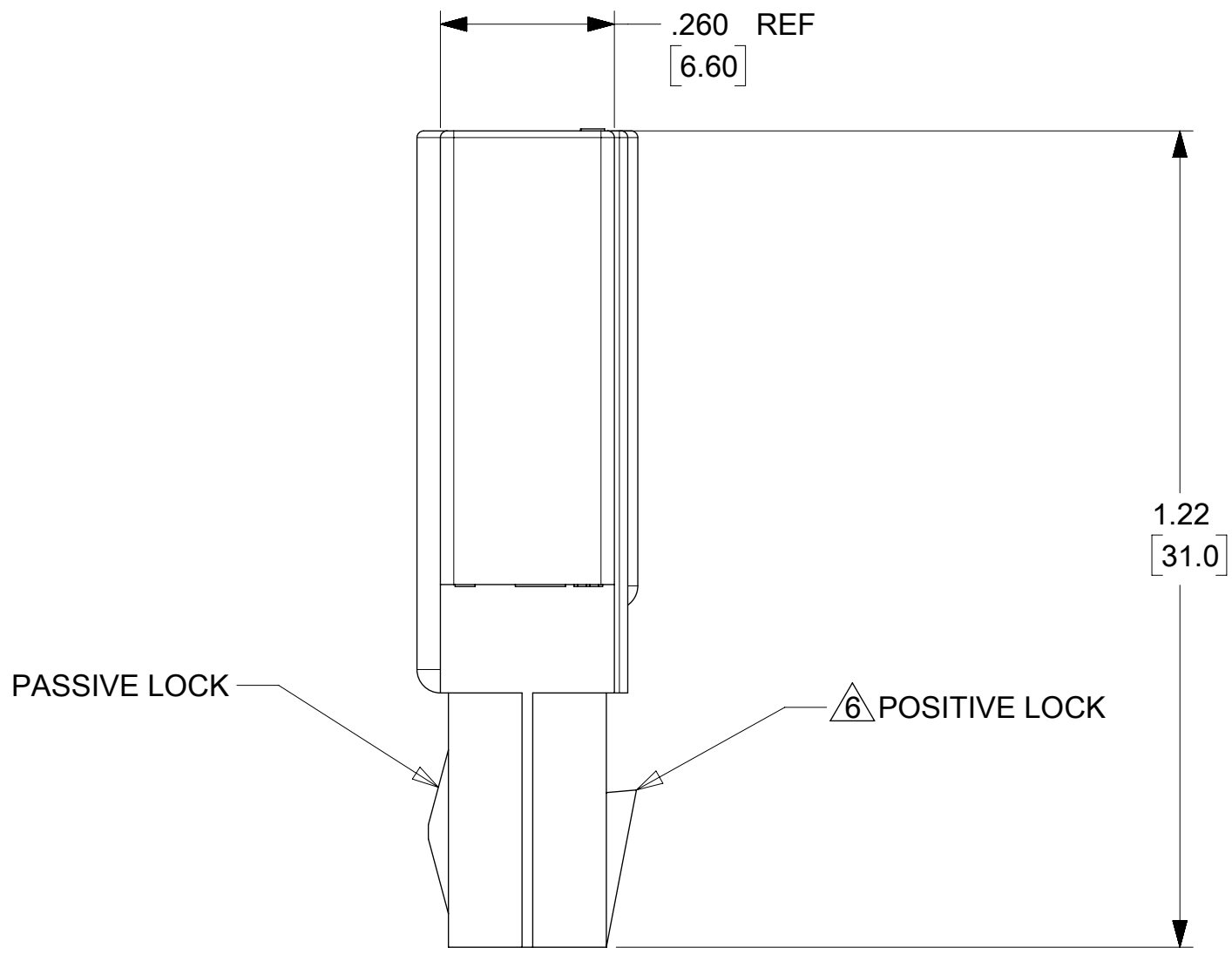
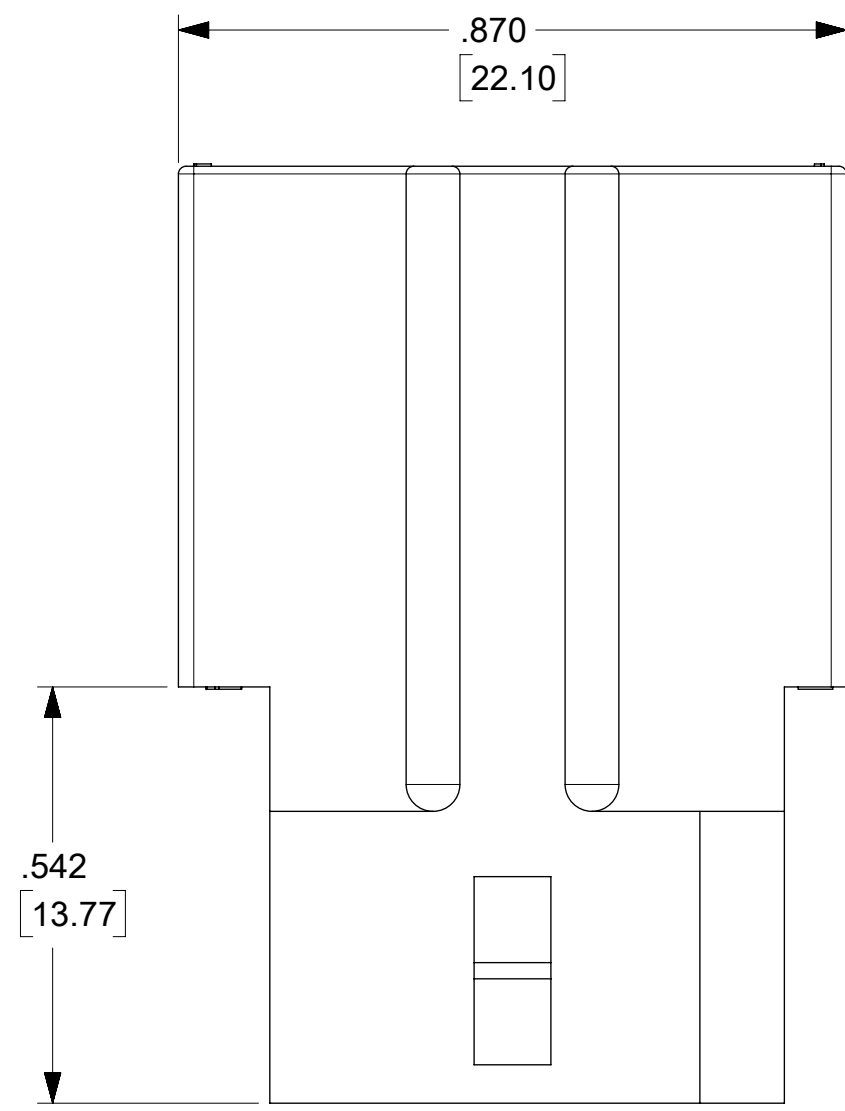
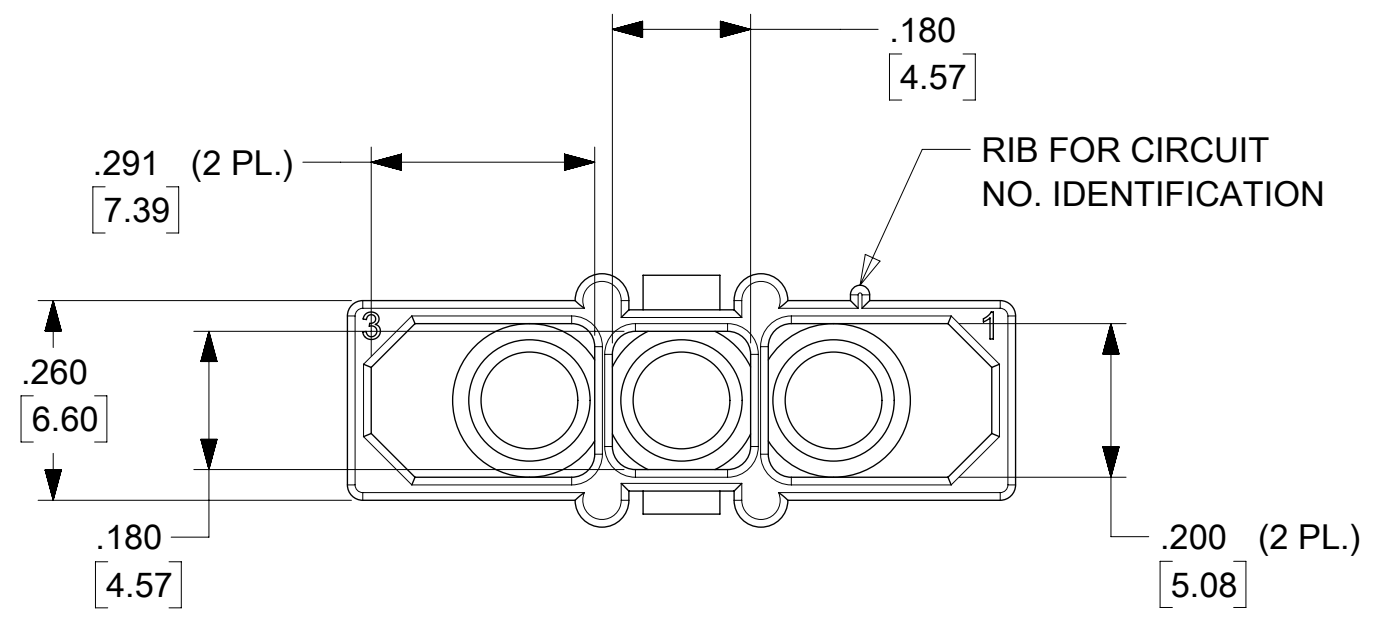


PLUG HOUSING



QUALITY SYMBOLS		THIS DRAWING CONTAINS INFORMATION THAT IS PROPRIETARY TO MOLEX ELECTRONIC TECHNOLOGIES, LLC AND SHOULD NOT BE USED WITHOUT WRITTEN PERMISSION											
▽ = 0	▽ = 0	ADD PK SPEC	EC NO: 108502 DRWN: BAPPELDORN CHKD: MKIPPER REV APPR: FSMITH	GENERAL TOLERANCES (UNLESS SPECIFIED)				DIMENSION UNITS		SCALE			
▽ = 0	▽ = 0			MM		INCH		IN/MM		4:1			
▽ = 0	▽ = 0			4 PLACES ±		±		DRWN BY		DATE			.093/(2.36) HOUSING PLUG AND RECEPTACLE 3 CIRCUIT
▽ = 0	▽ = 0			3 PLACES ±		± .010		AELHAG		12/17/2008			
▽ = 0	▽ = 0			2 PLACES ±		± 0.25 ± .014		CHK'D BY		DATE			
▽ = 0	▽ = 0			1 PLACES ±		± 0.36 ±		JBELL		12/17/2008			
▽ = 0	▽ = 0	0 PLACES ±		±		APPR BY		DATE					
▽ = 0	▽ = 0	ANGULAR TOL = 1/2				FSMITH		2014/12/18		PRODUCT CUSTOMER DRAWING			
▽ = 0	▽ = 0	DRAFT WHERE APPLICABLE MUST REMAIN WITHIN DIMENSIONS				DRAWING SIZE		THIRD ANGLE PROJECTION		SERIES MATERIAL NUMBER CUSTOMER			
▽ = 0	▽ = 0	C		C		42191		SEE CHART		GENERAL MARKET			
RELEASE STATUS P1		RELEASE DATE 23.09.2016 15:44:38		DOCUMENT NUMBER 421910300-SD		DOC TYPE PSD		DOC PART 000		SHEET NUMBER 1 OF 3			

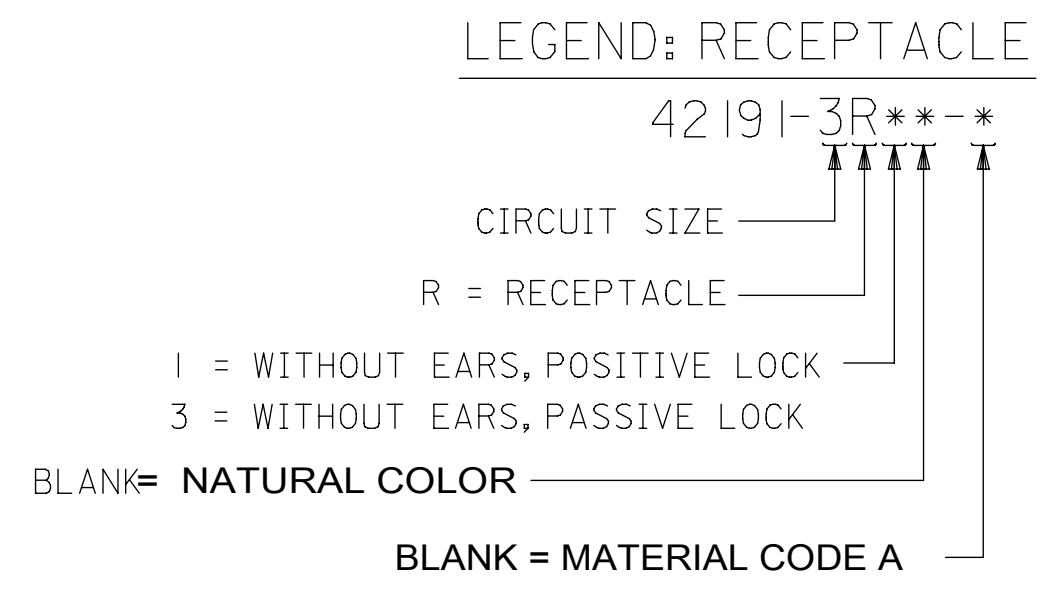
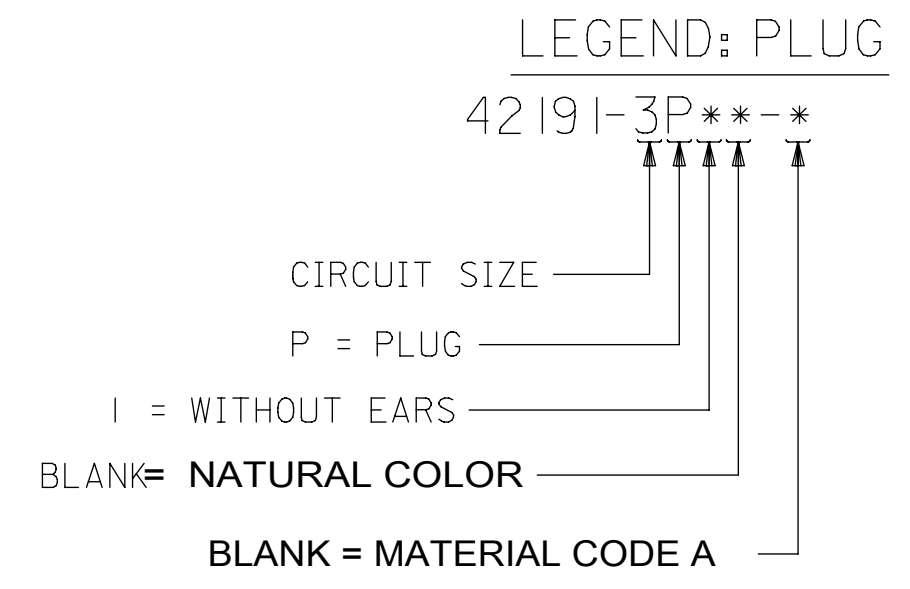


RECEPTACLE HOUSING

QUALITY SYMBOLS		THIS DRAWING CONTAINS INFORMATION THAT IS PROPRIETARY TO MOLEX ELECTRONIC TECHNOLOGIES, LLC AND SHOULD NOT BE USED WITHOUT WRITTEN PERMISSION											
▽ = 0	ADD PK SPEC	GENERAL TOLERANCES (UNLESS SPECIFIED)				DIMENSION UNITS		SCALE					
▽ = 0		MM		INCH		IN/MM		4:1					
▽ = 0		DRWN BY				DATE				.093/(2.36) HOUSING PLUG AND RECEPTACLE 3 CIRCUIT			
▽ = 0		AELHAG				12/17/2008							
▽ = 0		CHK'D BY				DATE				PRODUCT CUSTOMER DRAWING			
▽ = 0		JBELL				12/17/2008							
▽ = 0	APPR BY				DATE				SERIES MATERIAL NUMBER CUSTOMER 42191 SEE CHART GENERAL MARKET				
▽ = 0	FSMITH				2014/12/18				DOCUMENT NUMBER DOC TYPE DOC PART SHEET NUMBER 421910300-SD PSD 000 2 OF 3				
▽ = 0	ANGULAR TOL = 1/2				DRAWING SIZE		THIRD ANGLE PROJECTION						
▽ = 0	DRAFT WHERE APPLICABLE MUST REMAIN WITHIN DIMENSIONS				C								
▽ = 0	EC NO: 108502		DRWN: BAPPELDORN		CHKD: MKIPPER		REV: APPR: FSMITH						
▽ = 0	2016/09/06		2016/09/20		2016/09/23								
A		5		4		3		2		1			

PLUG	
PART NO.	ENG. NO.
03-09-2171	42191-3P1

RECEPTACLE	
PART NO.	ENG. NO.
03-09-1171	42191-3R1
03-09-1173	42191-3R3



- NOTES:
- MATERIAL CODES:
A = NYLON TYPE 6/6, 94V-2
 - FINISH: NONE.
 - PRODUCT SPECIFICATION: NONE.
 - PACKAGING INFORMATION: 421910000-PK.
 - ALL THREE CIRCUITS ACCEPT DOUBLE WIRE CRIMPS OF 18 AWG MAXIMUM. CIRCUIT NO'S. 1 AND 3 WILL EACH ALLOW ONE OF THE WIRES TO HAVE AN OVERSIZE INSULATION THICKNESS OF .062/(1.57). CIRCUIT NO. 2 REQUIRES THAT BOTH WIRES NOT EXCEED AN INSULATION THICKNESS OF .031/(0.79).
 - LOCK RAMP STYLE IS OPTIONAL ON THIS SIDE OF PART. CHOICE OF EITHER A POSITIVE LOCK RAMP OR A PASSIVE LOCK RAMP IS AVAILABLE.
 - PARTS CONFORM TO CLASS 'B' REQUIREMENTS OF COSMETIC SPECIFICATION PS-45499-002.

QUALITY SYMBOLS	THIS DRAWING CONTAINS INFORMATION THAT IS PROPRIETARY TO MOLEX ELECTRONIC TECHNOLOGIES, LLC AND SHOULD NOT BE USED WITHOUT WRITTEN PERMISSION									
	ADD PK SPEC EC NO: 108502 DRWN: BAPPELDORN CHKD: MKIPPER REV APPR: FSMITH	GENERAL TOLERANCES (UNLESS SPECIFIED)		DIMENSION UNITS		SCALE				
		MM	INCH	IN/MM	4:1					
▽ = 0		4 PLACES ±	±	DRWN BY	DATE	.093/(2.36) HOUSING PLUG AND RECEPTACLE 3 CIRCUIT				
▽ = 0		3 PLACES ±	± .010	AELHAG	12/17/2008					
▽ = 0		2 PLACES ±	± 0.25 ± .014	CHK'D BY	DATE	PRODUCT CUSTOMER DRAWING				
▽ = 0		1 PLACES ±	± 0.36 ±	JBELL	12/17/2008					
▽ = 0		0 PLACES ±	±	APPR BY	DATE	PRODUCT CUSTOMER DRAWING				
▽ = 0		ANGULAR TOL = 1/2		FSMITH	2014/12/18					
□ = 0		DRAFT WHERE APPLICABLE MUST REMAIN WITHIN DIMENSIONS		DRAWING SIZE	THIRD ANGLE PROJECTION	SERIES: 42191 MATERIAL NUMBER: SEE CHART CUSTOMER: GENERAL MARKET				
■ = 0				C						
▽ = 0					DOCUMENT NUMBER: 421910300-SD DOC TYPE: PSD DOC PART: 000 SHEET NUMBER: 3 OF 3					

X-ON Electronics

Largest Supplier of Electrical and Electronic Components

Click to view similar products for [Pin & Socket Connectors](#) category:

Click to view products by [Molex](#) manufacturer:

Other Similar products are found below :

[6450822-1](#) [770392-1](#) [794042-1](#) [796885-1](#) [8-794535-1](#) [PLR3455ACS-222](#) [R929991004](#) [R929993003](#) [1403611-1](#) [1-480349-5](#) [152302-5](#)
[153211-2](#) [1586092-1](#) [1586129-1](#) [1586681-4](#) [1586700-1](#) [1586368-1](#) [1586380-1](#) [1586616-1](#) [1586680-5](#) [16-06-0038](#) [164164-5](#) [1-6609930-1](#)
[172296-1](#) [19-09-2035](#) [200503-1](#) [200788-2](#) [2029090-4](#) [2029095-4](#) [925061-7](#) [293734-4](#) [293737-2](#) [1-765362-4](#) [1871534-1](#) [200833-4](#)
[2008625-2](#) [2029027-2](#) [2029096-4](#) [R929991000](#) [R929991002](#) [R929993000](#) [319-10-101-00-005000](#) [319-10-102-00-001000](#) [319-10-104-00-001000](#) [319-10-105-00-001000](#) [319-10-108-00-001000](#) [319-10-112-00-006000](#) [39-01-8019](#) [319-10-101-00-001000](#) [319-10-102-00-005000](#)