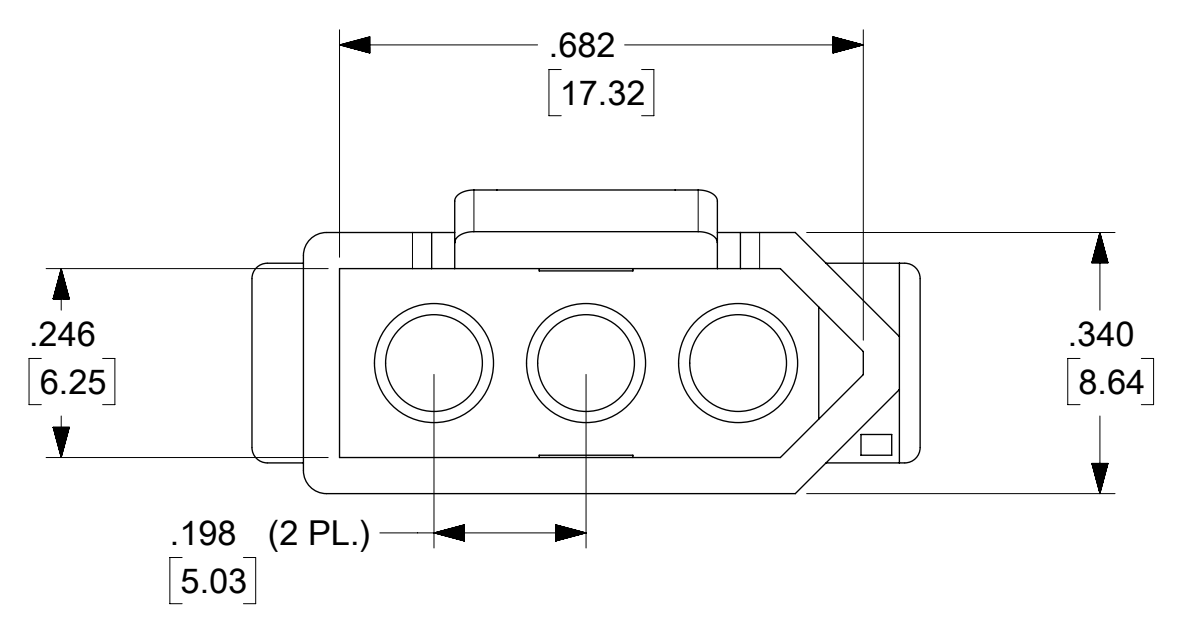
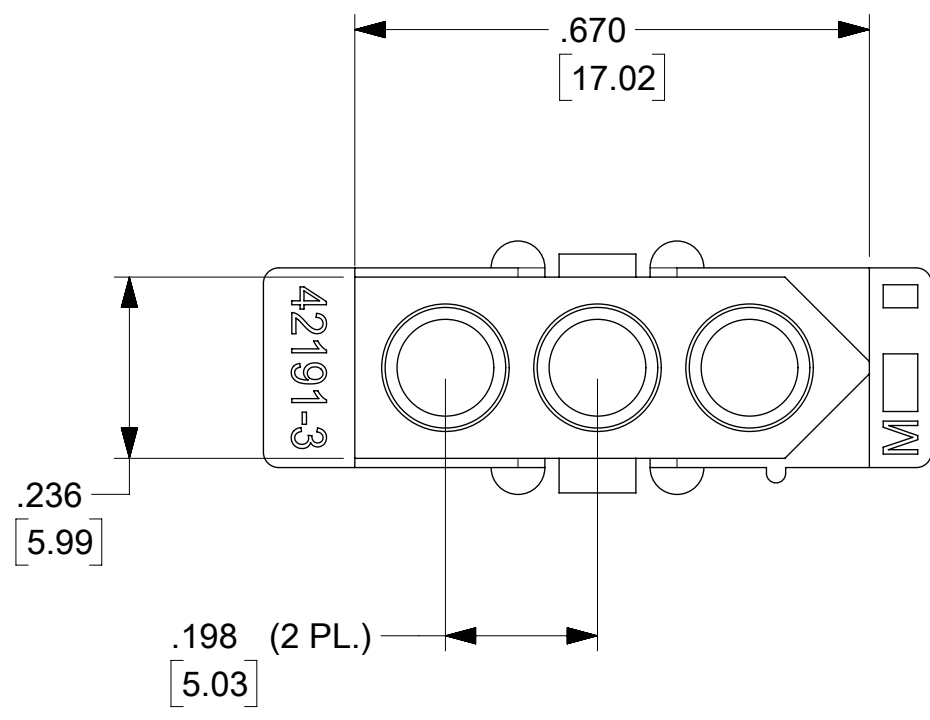
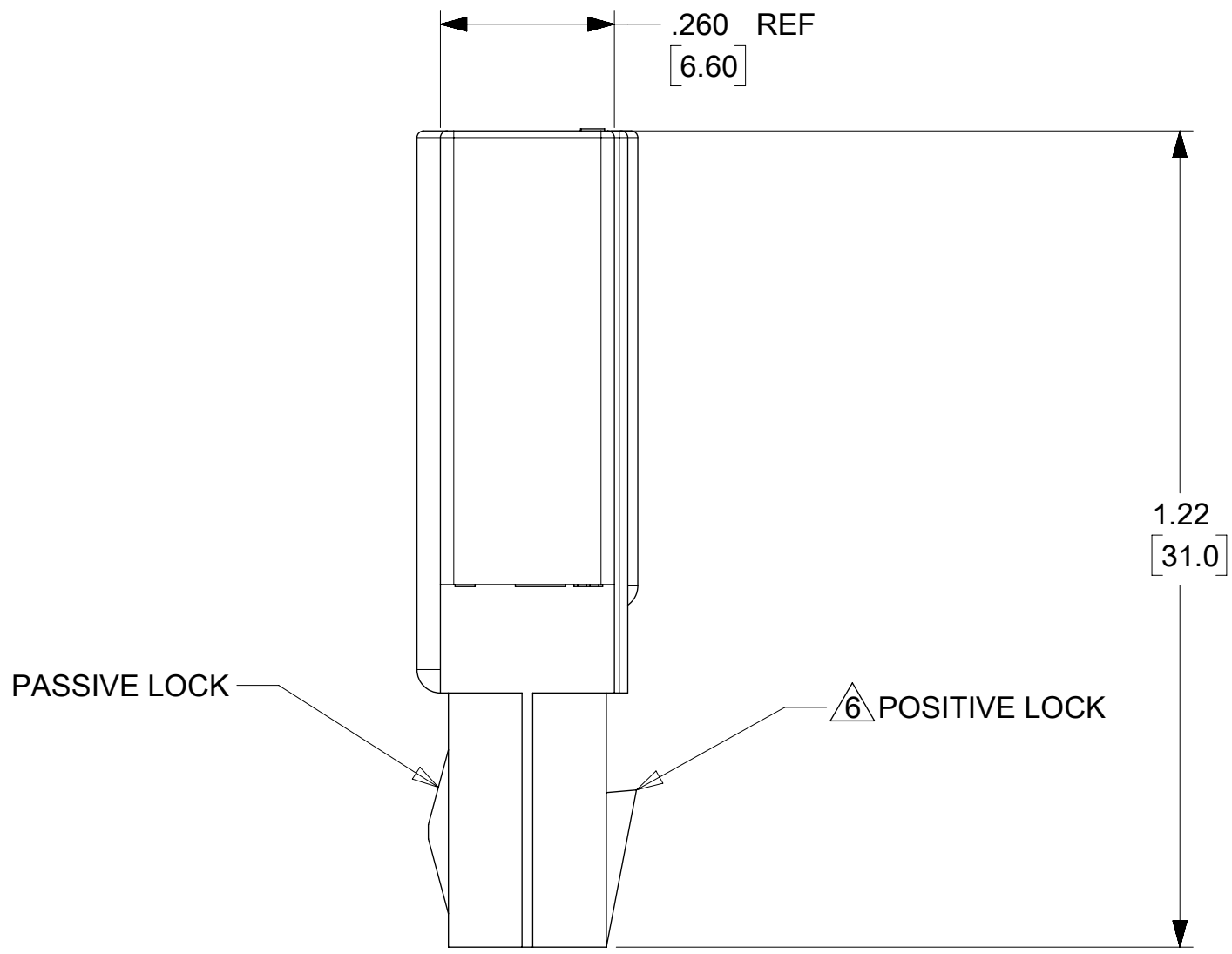
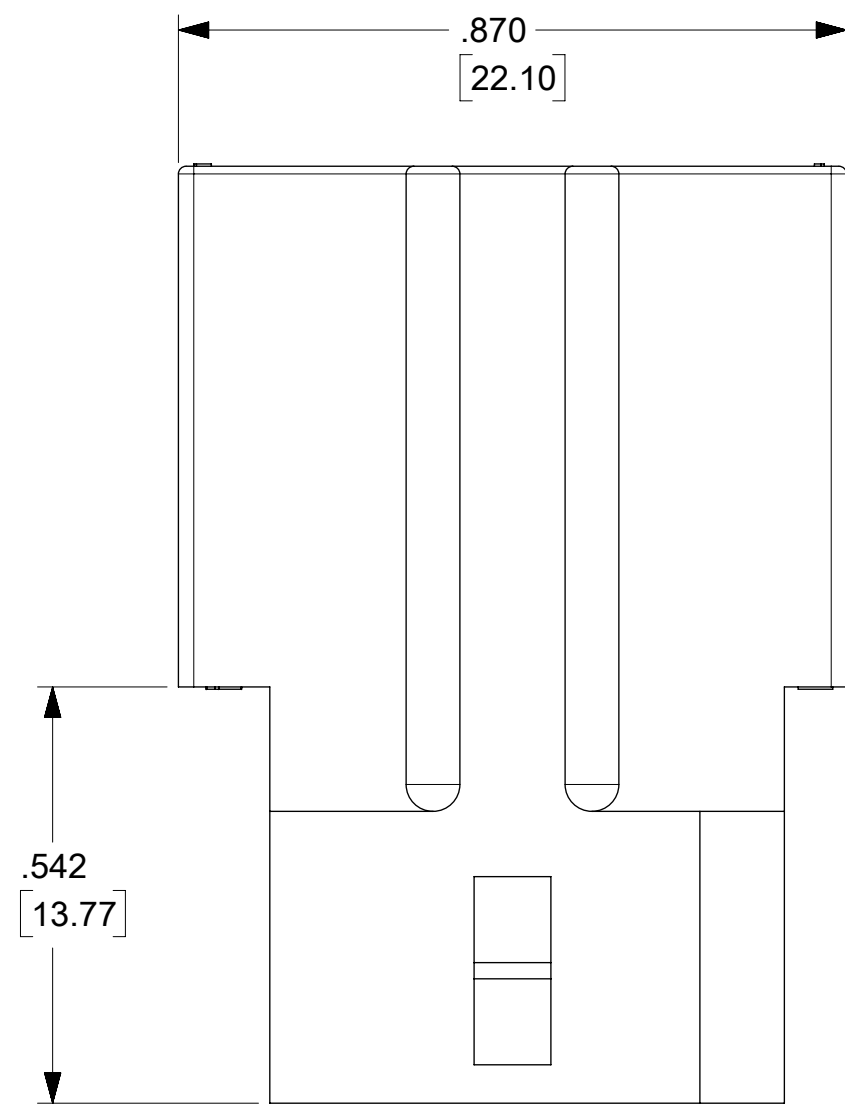
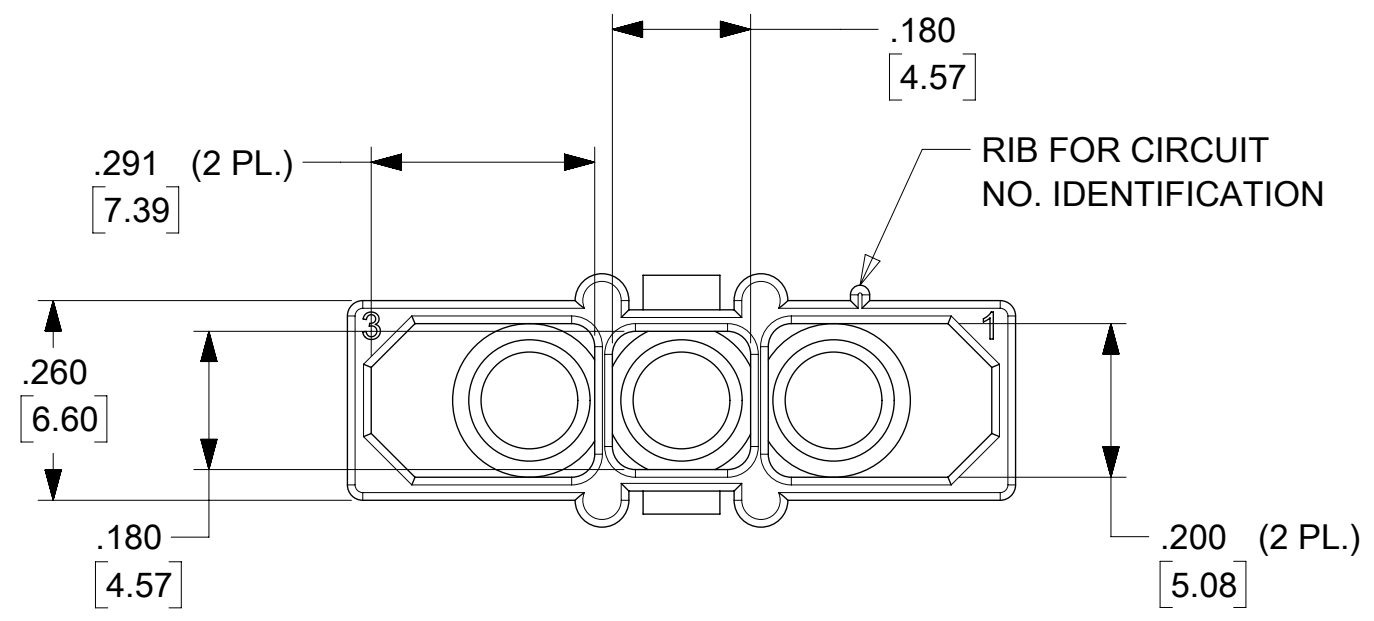


PLUG HOUSING



QUALITY SYMBOLS		THIS DRAWING CONTAINS INFORMATION THAT IS PROPRIETARY TO MOLEX ELECTRONIC TECHNOLOGIES, LLC AND SHOULD NOT BE USED WITHOUT WRITTEN PERMISSION											
▽ = 0	▽ = 0	ADD PK SPEC	EC NO: 108502 DRWN: BAPPELDORN CHKD: MKIPPER REV APPR: FSMITH	GENERAL TOLERANCES (UNLESS SPECIFIED)				DIMENSION UNITS		SCALE			
▽ = 0	▽ = 0			MM		INCH		IN/MM		4:1			
▽ = 0	▽ = 0			4 PLACES ±		±		DRWN BY		DATE			.093/(2.36) HOUSING PLUG AND RECEPTACLE 3 CIRCUIT
▽ = 0	▽ = 0			3 PLACES ±		± .010		AELHAG		12/17/2008			
▽ = 0	▽ = 0			2 PLACES ±		± 0.25 ± .014		CHK'D BY		DATE			
▽ = 0	▽ = 0			1 PLACES ±		± 0.36 ±		JBELL		12/17/2008			
▽ = 0	▽ = 0	0 PLACES ±		±		APPR BY		DATE					
▽ = 0	▽ = 0	ANGULAR TOL = 1/2				FSMITH		2014/12/18		PRODUCT CUSTOMER DRAWING SERIES: 42191 MATERIAL NUMBER: SEE CHART CUSTOMER: GENERAL MARKET			
▽ = 0	▽ = 0	DRAFT WHERE APPLICABLE MUST REMAIN WITHIN DIMENSIONS				DRAWING SIZE		THIRD ANGLE PROJECTION					
▽ = 0	▽ = 0					C							
RELEASE STATUS	P1	RELEASE DATE	23.09.2016	15:44:38									
12	11	10	9	8	7	6	5	4	3		2	1	
DOCUMENT NUMBER		421910300-SD		DOC TYPE		PSD		DOC PART			SHEET NUMBER		
										1 OF 3			



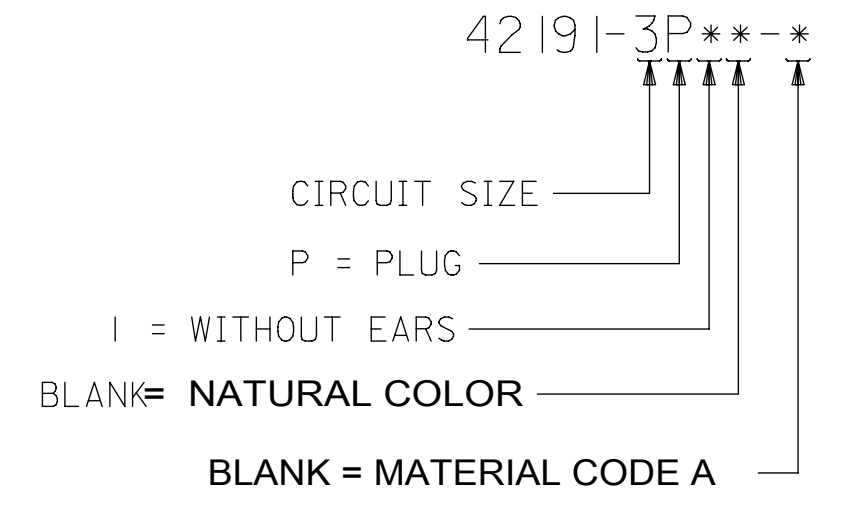
RECEPTACLE HOUSING

QUALITY SYMBOLS ▽ = 0 ▽ = 0 ▽ = 0 ▼ = 0 ▽ = 0 ⊠ = 0 ■ = 0 ▽ = 0		THIS DRAWING CONTAINS INFORMATION THAT IS PROPRIETARY TO MOLEX ELECTRONIC TECHNOLOGIES, LLC AND SHOULD NOT BE USED WITHOUT WRITTEN PERMISSION		DIMENSION UNITS IN/MM SCALE 4:1																						
ADD PK SPEC EC NO: 108502 DRWN: BAPPELDORN CHKD: MKIPPER REV APPR: FSMITH		GENERAL TOLERANCES (UNLESS SPECIFIED) <table border="1"> <thead> <tr> <th></th> <th>MM</th> <th>INCH</th> </tr> </thead> <tbody> <tr> <td>4 PLACES</td> <td>±</td> <td>±</td> </tr> <tr> <td>3 PLACES</td> <td>±</td> <td>± .010</td> </tr> <tr> <td>2 PLACES</td> <td>± 0.25</td> <td>± .014</td> </tr> <tr> <td>1 PLACES</td> <td>± 0.36</td> <td>±</td> </tr> <tr> <td>0 PLACES</td> <td>±</td> <td>±</td> </tr> </tbody> </table>			MM				INCH	4 PLACES	±	±	3 PLACES	±	± .010	2 PLACES	± 0.25	± .014	1 PLACES	± 0.36	±	0 PLACES	±	±	DRWN BY: AELHAG DATE: 12/17/2008 CHK'D BY: JBELL DATE: 12/17/2008 APPR BY: FSMITH DATE: 2014/12/18	
	MM	INCH																								
4 PLACES	±	±																								
3 PLACES	±	± .010																								
2 PLACES	± 0.25	± .014																								
1 PLACES	± 0.36	±																								
0 PLACES	±	±																								
PRODUCT CUSTOMER DRAWING		ANGULAR TOL = 1/2		DRAWING SIZE: C THIRD ANGLE PROJECTION		<table border="1"> <tr> <th>SERIES</th> <th>MATERIAL NUMBER</th> <th>CUSTOMER</th> </tr> <tr> <td>42191</td> <td>SEE CHART</td> <td>GENERAL MARKET</td> </tr> </table>			SERIES	MATERIAL NUMBER	CUSTOMER	42191	SEE CHART	GENERAL MARKET												
SERIES	MATERIAL NUMBER	CUSTOMER																								
42191	SEE CHART	GENERAL MARKET																								
DRAFT WHERE APPLICABLE MUST REMAIN WITHIN DIMENSIONS		DRAFT WHERE APPLICABLE MUST REMAIN WITHIN DIMENSIONS		DOCUMENT NUMBER: 421910300-SD DOC TYPE: PSD DOC PART: 000 SHEET NUMBER: 2 OF 3																						

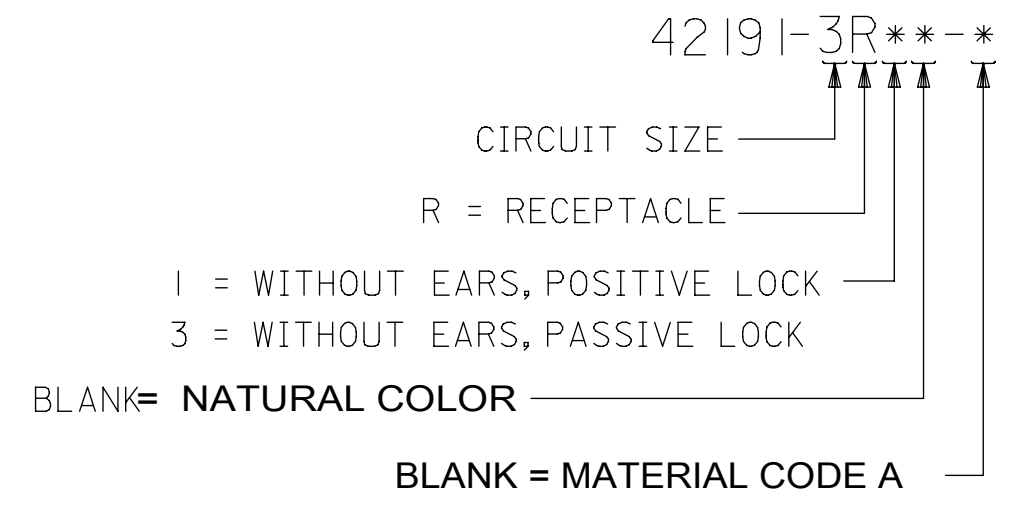
PLUG	
PART NO.	ENG. NO.
03-09-2171	42191-3P1

RECEPTACLE	
PART NO.	ENG. NO.
03-09-1171	42191-3R1
03-09-1173	42191-3R3

LEGEND: PLUG



LEGEND: RECEPTACLE



NOTES:

- MATERIAL CODES:
A = NYLON TYPE 6/6, 94V-2
- FINISH: NONE.
- PRODUCT SPECIFICATION: NONE.
- PACKAGING INFORMATION: 421910000-PK.
- ALL THREE CIRCUITS ACCEPT DOUBLE WIRE CRIMPS OF 18 AWG MAXIMUM. CIRCUIT NO'S. 1 AND 3 WILL EACH ALLOW ONE OF THE WIRES TO HAVE AN OVERSIZE INSULATION THICKNESS OF .062/(1.57). CIRCUIT NO. 2 REQUIRES THAT BOTH WIRES NOT EXCEED AN INSULATION THICKNESS OF .031/(0.79).
- LOCK RAMP STYLE IS OPTIONAL ON THIS SIDE OF PART. CHOICE OF EITHER A POSITIVE LOCK RAMP OR A PASSIVE LOCK RAMP IS AVAILABLE.
- PARTS CONFORM TO CLASS 'B' REQUIREMENTS OF COSMETIC SPECIFICATION PS-45499-002.

QUALITY SYMBOLS 	THIS DRAWING CONTAINS INFORMATION THAT IS PROPRIETARY TO MOLEX ELECTRONIC TECHNOLOGIES, LLC AND SHOULD NOT BE USED WITHOUT WRITTEN PERMISSION										
	ADD PK SPEC EC NO: 108502 DRWN: BAPPELDORN CHKD: MKIPPER REV APPR: FSMITH	GENERAL TOLERANCES (UNLESS SPECIFIED)		DIMENSION UNITS		SCALE					
		MM	INCH	IN/MM		4:1					
		4 PLACES ±	±	DRWN BY		DATE	.093/(2.36) HOUSING PLUG AND RECEPTACLE 3 CIRCUIT PRODUCT CUSTOMER DRAWING SERIES: 42191 MATERIAL NUMBER: SEE CHART CUSTOMER: GENERAL MARKET DOCUMENT NUMBER: 421910300-SD DOC TYPE: PSD DOC PART: 000 SHEET NUMBER: 3 OF 3				
3 PLACES ±	± .010	AELHAG		12/17/2008							
2 PLACES ±	± 0.25 ± .014	CHK'D BY		DATE							
1 PLACES ±	± 0.36 ±	JBELL		12/17/2008							
0 PLACES ±	±	APPR BY		DATE	DRAFT WHERE APPLICABLE MUST REMAIN WITHIN DIMENSIONS						
ANGULAR TOL = 1/2		FSMITH		2014/12/18							
DRAFT WHERE APPLICABLE MUST REMAIN WITHIN DIMENSIONS		DRAWING SIZE		THIRD ANGLE PROJECTION							
A	REV	C									

X-ON Electronics

Largest Supplier of Electrical and Electronic Components

Click to view similar products for [Pin & Socket Connectors](#) category:

Click to view products by [Molex](#) manufacturer:

Other Similar products are found below :

[6450822-1](#) [770392-1](#) [794042-1](#) [796885-1](#) [8-794535-1](#) [PLR3455ACS-222](#) [R929991004](#) [R929993003](#) [1403611-1](#) [1-480349-5](#) [152302-5](#)
[153211-2](#) [1586092-1](#) [1586129-1](#) [1586681-4](#) [1586700-1](#) [1586368-1](#) [1586380-1](#) [1586616-1](#) [1586680-5](#) [16-06-0038](#) [164164-5](#) [1-6609930-1](#)
[172296-1](#) [19-09-2035](#) [200503-1](#) [200788-2](#) [2029090-4](#) [2029095-4](#) [925061-7](#) [293734-4](#) [293737-2](#) [1-765362-4](#) [1871534-1](#) [200833-4](#)
[2008625-2](#) [2029027-2](#) [2029096-4](#) [R929991000](#) [R929991002](#) [R929993000](#) [319-10-101-00-005000](#) [319-10-102-00-001000](#) [319-10-104-00-001000](#) [319-10-105-00-001000](#) [319-10-108-00-001000](#) [319-10-112-00-006000](#) [39-01-8019](#) [319-10-101-00-001000](#) [319-10-102-00-005000](#)