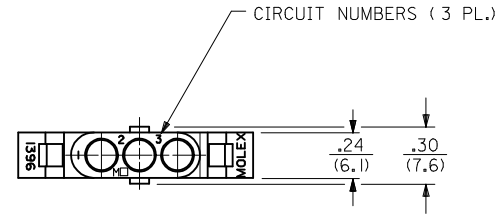
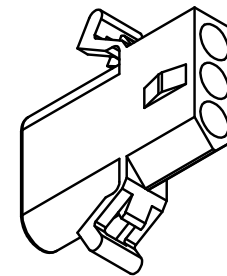
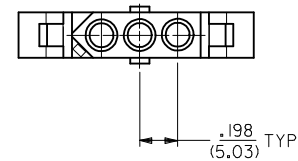
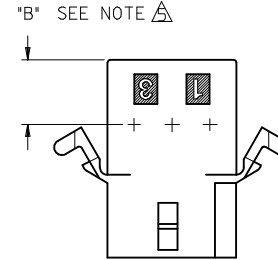
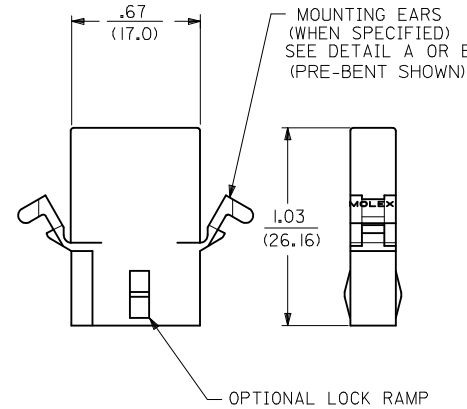


PLUG

1396-P SHOWN ABOVE (WITH STANDARD MOUNTING EAR)

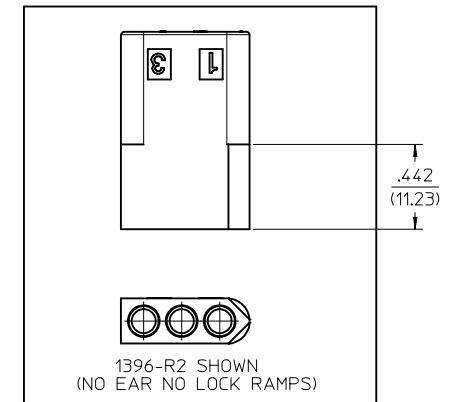


ALTERNATE END CONFIGURATION
SEE NOTE A



RECEPTACLE

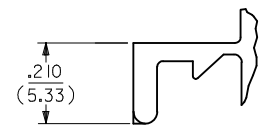
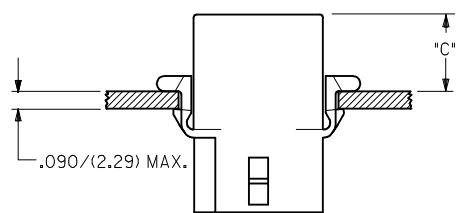
1396-R4 SHOWN (WITH PRE-BENT EAR)



ADD PK-1396-002 EC NO: UCP2016-2183 DRWN:KIPPER 2015/12/09 CHKD:JBELL 2015/12/09 APPR:FSMITH 2015/12/23	QUALITY SYMBOLS ▽=0 ▽=0 ▽=0	GENERAL TOLERANCES (UNLESS SPECIFIED)		DIMENSION STYLE IN/MM	SCALE 2:1	DESIGN UNITS INCH	THIRD ANGLE PROJECTION		
			mm	INCH	DRAWN BY JJS	DATE 1988/04/08	TITLE .093/(2.36) HOUSING PLUG AND RECEPTACLE 3 CIRCUIT .198 CENTERS		
		4 PLACES ± --- ± --- 3 PLACES ± --- ± .010 2 PLACES ± 0.25 ± .014 1 PLACE ± 0.35 ± --- 0 PLACE ± --- ± ---			CHECKED BY RW	DATE 1988/04/08	MATERIAL NO. SEE CHART		DOCUMENT NO. SD-1396-*
		ANGULAR ±1/2°		DRAFT WHERE APPLICABLE MUST REMAIN WITHIN DIMENSIONS		APPROVED BY FSMITH	DATE 2014/06/23	SHEET NO. 1 OF 2	
REV Z3	DESCRIPTION	THIS DRAWING CONTAINS INFORMATION THAT IS PROPRIETARY TO MOLEX INCORPORATED AND SHOULD NOT BE USED WITHOUT WRITTEN PERMISSION							

13	12	11	10	9	8	7	6	5	4	3	2	1
PLUG		RECEPTACLE										
ORDER NO.	ENG. NO.	ORDER NO.	ENG. NO.									
03-09-2031	I396-P	03-09-1031	I396-R									
03-09-2032	I396-P1	03-09-1032	I396-R1									
03-09-7032	I396-PIBK	03-09-1033	I396-R2									
03-09-7031	I396-PBK	03-09-6033	I396-R2BK									
03-09-2037	I396-P3	03-09-6032	I396-RIBK									
		03-09-6031	I396-RBK									
		03-09-1081	I396-R4									

HOUSING	DIM. "A"	DIM. "B"	"C" PREBENT EAR	"C" STANDARD EAR
PLUG	.933/(23.70)	.375/(9.53)	.40/(10.2)	.38/(9.7)
RECEPT.	.830/(21.08)	.312/(7.92)	.41/(10.4)	.39/(9.9)



LEGEND:

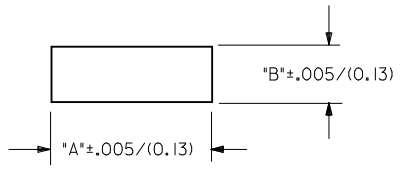
I396-****-*

P = PLUG
R = RECEPTACLE

BLANK = WITH STANDARD EARS
1 = WITHOUT EARS
2 = RECEPTACLE WITHOUT EARS, WITHOUT LOCK RAMP
3 = PLUG ONLY, W/ SIDE MOUNT (SEE SD-I396-P3)
4 = WITH PREBENT EARS

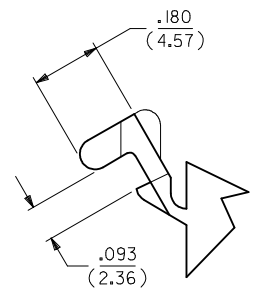
COLOR: BLANK=NATURAL COLOR
AM=AMBER BK=BLACK BU=BLUE
BN=BROWN GY=GRAY GN=GREEN
OR=ORANGE RD=RED YW=YELLOW

BLANK = NYLON 6/6, 94V-2



RECOMMENDED PANEL MOUNTING HOLE

DETAIL A
STANDARD MOUNTING EAR
(SCALE 4:1)



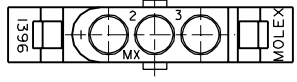
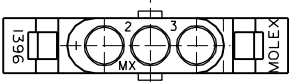
DETAIL B
PREBENT MOUNTING EAR
(SCALE 4:1)

NOTES:

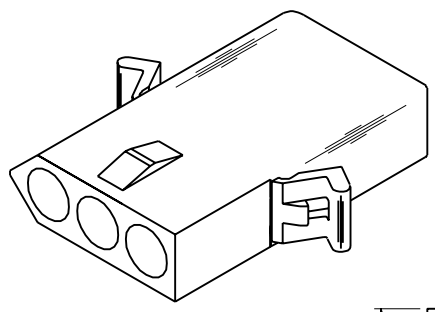
1. MATERIAL: SEE LEGEND
 2. FINISH: NOT APPLICABLE
 3. PRODUCT SPECIFICATION: PS-02-09
 4. PACKAGING INFORMATION: REFER TO PK-1396-002
- △ DIMENSION FROM THE BACK OF THE HOUSING TO THE END OF BRUSH ON WIRE INSERTED INTO THE HOUSING:
DIM "A"= .256/6.50 FOR 42477 & 42478 TERMINALS
.216/5.49 FOR ALL OTHER .093 TERMINALS
DIM "B"= .377/9.58 FOR 42477 & 42478 TERMINALS
.337/8.56 FOR ALL OTHER .093 TERMINALS
- △ CIRCUIT I.D. NUMBERS ON SIDE OF HOUSING APPEAR ON PARTS FROM TOOLS BUILT AFTER 5/4/93.
- △ END CONFIGURATION IS DEPENDENT ON MOLD DESIGN. PARTS MAY HAVE EITHER CONFIGURATION.
8. PARTS CONFORM TO CLASS B REQUIREMENTS OF COSMETIC SPECIFICATION PS-45499-002.

SEE SHEET 1 EC NO: UCP2016-2183 DRWN:KIPPER 2015/12/09 CHKD:BELLE 2015/12/09 APPR:FSMITH 2015/12/23 REV 23	QUALITY SYMBOLS ▽=0 ▽=0 ▽=0	GENERAL TOLERANCES (UNLESS SPECIFIED) <table border="1"> <tr> <th></th> <th>mm</th> <th>INCH</th> </tr> <tr> <td>4 PLACES</td> <td>± ---</td> <td>± ---</td> </tr> <tr> <td>3 PLACES</td> <td>± ---</td> <td>± .010</td> </tr> <tr> <td>2 PLACES</td> <td>± 0.25</td> <td>± .014</td> </tr> <tr> <td>1 PLACE</td> <td>± 0.35</td> <td>± ---</td> </tr> <tr> <td>0 PLACE</td> <td>± ---</td> <td>± ---</td> </tr> </table>		mm	INCH	4 PLACES	± ---	± ---	3 PLACES	± ---	± .010	2 PLACES	± 0.25	± .014	1 PLACE	± 0.35	± ---	0 PLACE	± ---	± ---	DIMENSION STYLE IN/MM DRAWN BY DATE JJS 1988/04/08 CHECKED BY DATE RW 1988/04/08 APPROVED BY DATE FSMITH 2014/06/23	SCALE 2:1 DESIGN UNITS INCH THIRD ANGLE PROJECTION	TITLE .093/(2.36) HOUSING PLUG AND RECEPTACLE 3 CIRCUIT .198 CENTERS molex	MATERIAL NO. SEE CHART DOCUMENT NO. SD-1396-*	SHEET NO. 2 OF 2
		mm	INCH																						
	4 PLACES	± ---	± ---																						
	3 PLACES	± ---	± .010																						
2 PLACES	± 0.25	± .014																							
1 PLACE	± 0.35	± ---																							
0 PLACE	± ---	± ---																							
DRAFT WHERE APPLICABLE MUST REMAIN WITHIN DIMENSIONS		ANGULAR ±1/2°		THIS DRAWING CONTAINS INFORMATION THAT IS PROPRIETARY TO MOLEX INCORPORATED AND SHOULD NOT BE USED WITHOUT WRITTEN PERMISSION																					

DWG. NO. SD-1396-001

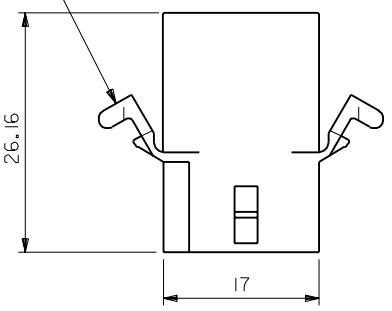


OPTIONAL END CONFIGURATION

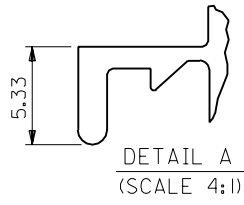
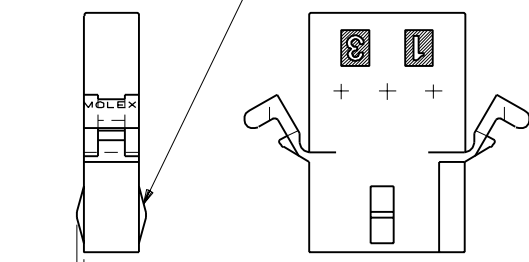


RECEPTACLE

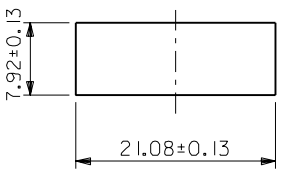
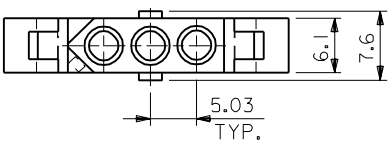
MT'G EARS (表参照)
参照 DETAIL A OR B



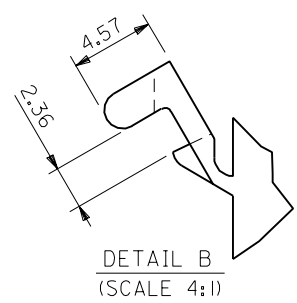
LOCKING TAB (表参照)



DETAIL A
(SCALE 4:1)



パネル取付穴寸法
(パネル厚 2.29最大)



DETAIL B
(SCALE 4:1)

1396R4	03-09-1081	有	WITH	有 WITH DETAIL B
1396R2	03-09-1033	無	WITHOUT	無 WITHOUT
1396R1	03-09-1032	有	WITH	無 WITHOUT
1396R	03-09-1031	有	WITH	有 WITH DETAIL A
ENG. NO.	EDP NO.	LOCKING TABS	MT'G EARS	

DO NOT SCALE DRAWING

EC NO. DRWN: CHK: APPR:	EC NO. DRWN: CHK: APPR:	EC NO. DRWN: CHK: APPR:	EC NO. DRWN: CHK: APPR:	RELEASED EC NO. JC2001-0078 DRWN: K.KOHAMA '00/08/28 CHK: T.YAMAGUCHI APPR: M.FUKUSHIMA
----------------------------------	----------------------------------	----------------------------------	----------------------------------	---

MATERIAL 材料	NYLON66 94V-2
FINISH 仕上り	
WIRE RANGE 適用電線線径	
INS. RANGE 被覆径	

GENERAL TOLERANCES: (UNLESS SPECIFIED) 一般公差	SCALE 2:1	DESIGN UNITS <input checked="" type="checkbox"/> mm <input type="checkbox"/> INCH
10 UNDER 未満	+0.25 ±0.25	DRAWN BY & DATE K.KOHAMA '00/08/28
10 OVER 以上	+0.3 ±0.25	CHECKED BY & DATE T.YAMAGUCHI '00/08/28
30 UNDER 未満	+0.35 ±0.3	APPROVED BY & DATE M.FUKUSHIMA '00/08/28
30 OVER 以上		CAD FILENAME 1396001.S01
ANGLE 角度	+3°	

MODEL NO.	03-09-1***	DIMENSIONS:	SHT	REV
		<input type="checkbox"/> mm <input type="checkbox"/> INCH <input checked="" type="checkbox"/> mm ONLY		
THIRD ANGLE PROJECTION		REVISE ON CAD ONLY		
TITLE: 3 CIRCUITS RCPT HSG (0.093 DIA TERMINAL)				
MOLEX INCORPORATED				
MATERIAL NO.	DRAWING NO.	SHEET NO.		
SEE NOTES	SD-1396-001	1 OF 1		
THIS DRAWING CONTAINS INFORMATION THAT IS PROPRIETARY TO MOLEX INCORPORATED AND SHOULD NOT BE USED WITHOUT WRITTEN PERMISSION.				
SIZE B				

X-ON Electronics

Largest Supplier of Electrical and Electronic Components

Click to view similar products for [Pin & Socket Connectors](#) category:

Click to view products by [Molex](#) manufacturer:

Other Similar products are found below :

[6450822-1](#) [770392-1](#) [794042-1](#) [796885-1](#) [8-794535-1](#) [PLR3455ACS-222](#) [R929991004](#) [R929993003](#) [1403611-1](#) [1-480349-5](#) [152302-5](#)
[153211-2](#) [1586092-1](#) [1586129-1](#) [1586681-4](#) [1586700-1](#) [1586368-1](#) [1586380-1](#) [1586616-1](#) [1586680-5](#) [16-06-0038](#) [164164-5](#) [1-6609930-1](#)
[172296-1](#) [19-09-2035](#) [200503-1](#) [200788-2](#) [2029090-4](#) [2029095-4](#) [925061-7](#) [293734-4](#) [293737-2](#) [1-765362-4](#) [1871534-1](#) [200833-4](#)
[2008625-2](#) [2029027-2](#) [2029096-4](#) [R929991000](#) [R929991002](#) [R929993000](#) [319-10-101-00-005000](#) [319-10-102-00-001000](#) [319-10-104-00-001000](#) [319-10-105-00-001000](#) [319-10-108-00-001000](#) [319-10-112-00-006000](#) [39-01-8019](#) [319-10-101-00-001000](#) [319-10-102-00-005000](#)