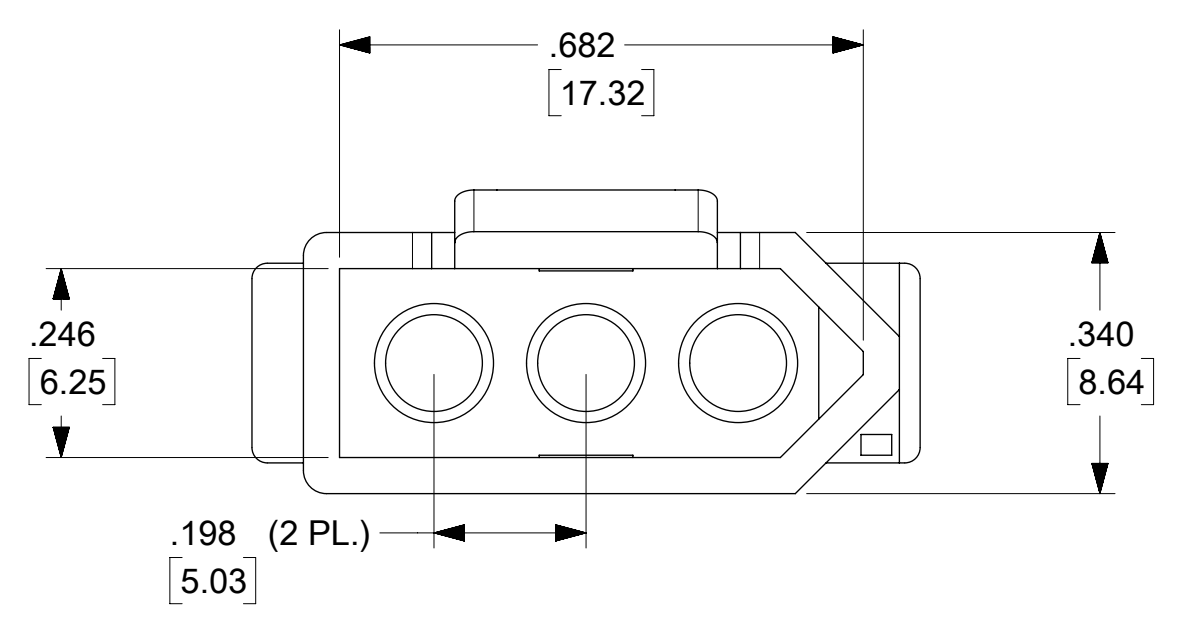
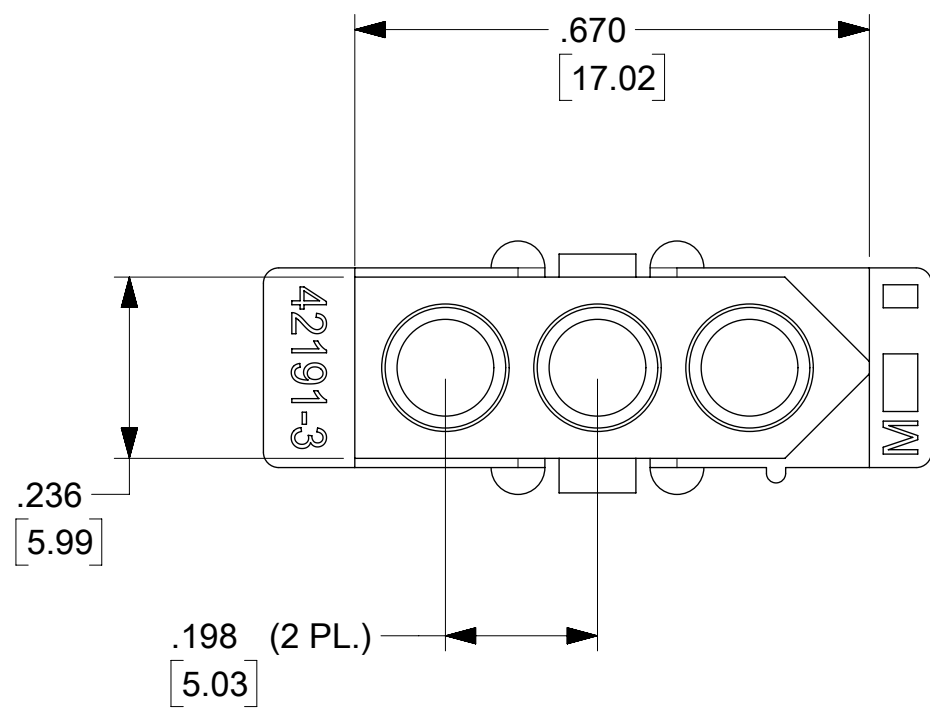
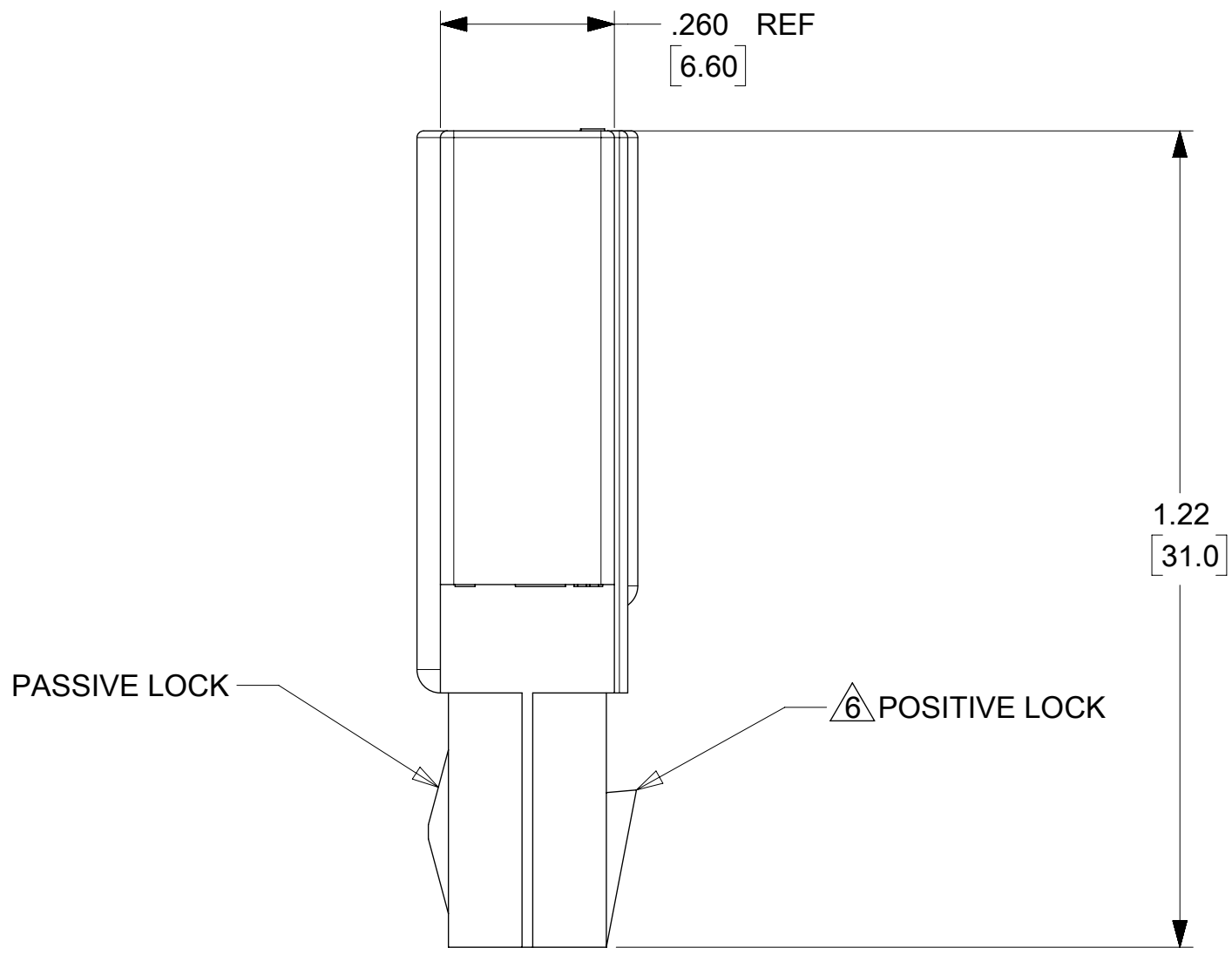
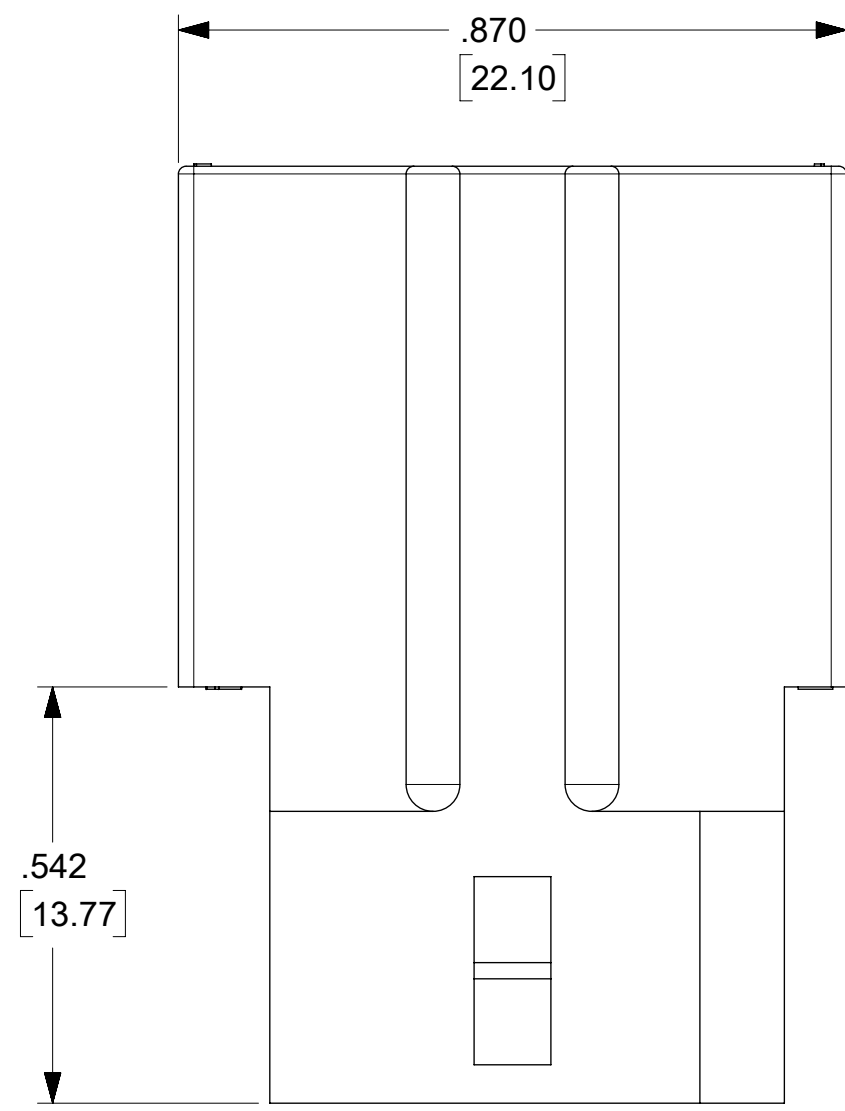
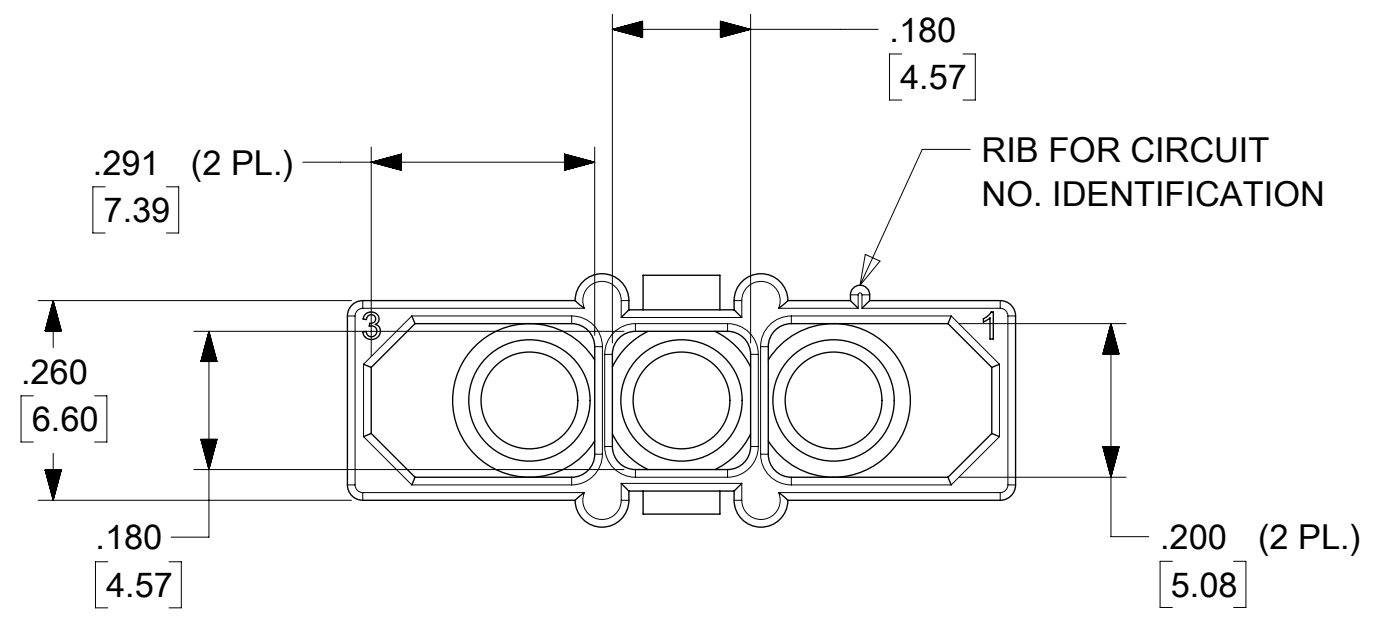


PLUG HOUSING



QUALITY SYMBOLS 	THIS DRAWING CONTAINS INFORMATION THAT IS PROPRIETARY TO MOLEX ELECTRONIC TECHNOLOGIES, LLC AND SHOULD NOT BE USED WITHOUT WRITTEN PERMISSION												
	ADD PK SPEC EC NO: 108502 DRWN: BAPPELDORN CHKD: MKIPPER REV APPR: FSMITH	GENERAL TOLERANCES (UNLESS SPECIFIED)				DIMENSION UNITS		SCALE					
		MM		INCH		IN/MM		4:1					
		4 PLACES ± ±				DRWN BY		DATE		.093/(2.36) HOUSING PLUG AND RECEPTACLE 3 CIRCUIT			
		3 PLACES ± ± .010				AELHAG		12/17/2008					
		2 PLACES ± 0.25 ± .014				CHK'D BY		DATE		PRODUCT CUSTOMER DRAWING			
	1 PLACES ± 0.36 ±				JBELL		12/17/2008						
	0 PLACES ± ±				APPR BY		DATE						
	ANGULAR TOL = 1/2				FSMITH		2014/12/18		SERIES: 42191 MATERIAL NUMBER: SEE CHART CUSTOMER: GENERAL MARKET				
	DRAFT WHERE APPLICABLE MUST REMAIN WITHIN DIMENSIONS				DRAWING SIZE		THIRD ANGLE PROJECTION		DOCUMENT NUMBER: 421910300-SD DOC TYPE: PSD DOC PART: 000 SHEET NUMBER: 1 OF 3				
A		C		C		C							

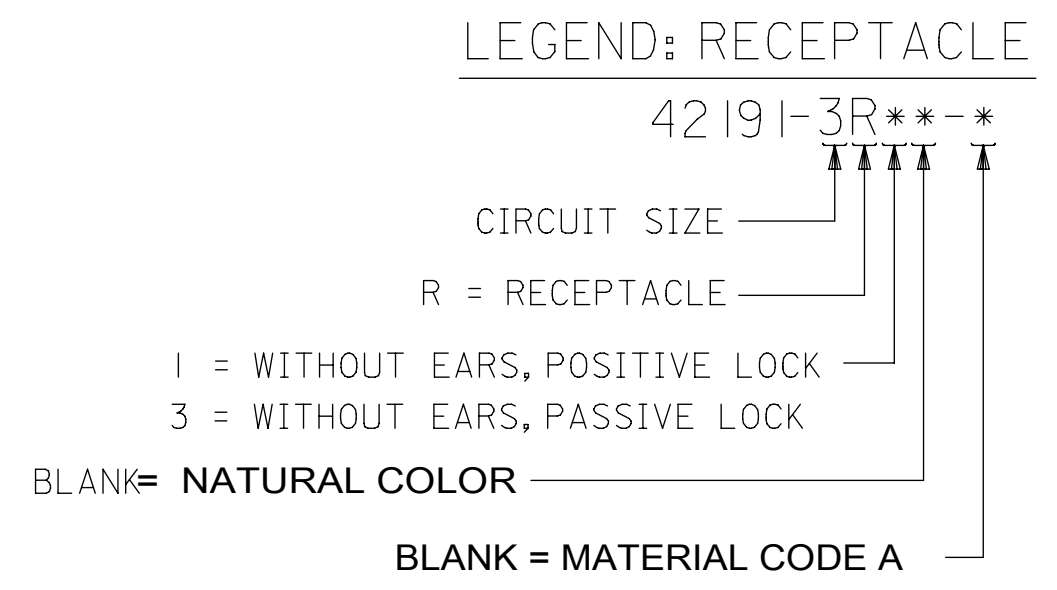
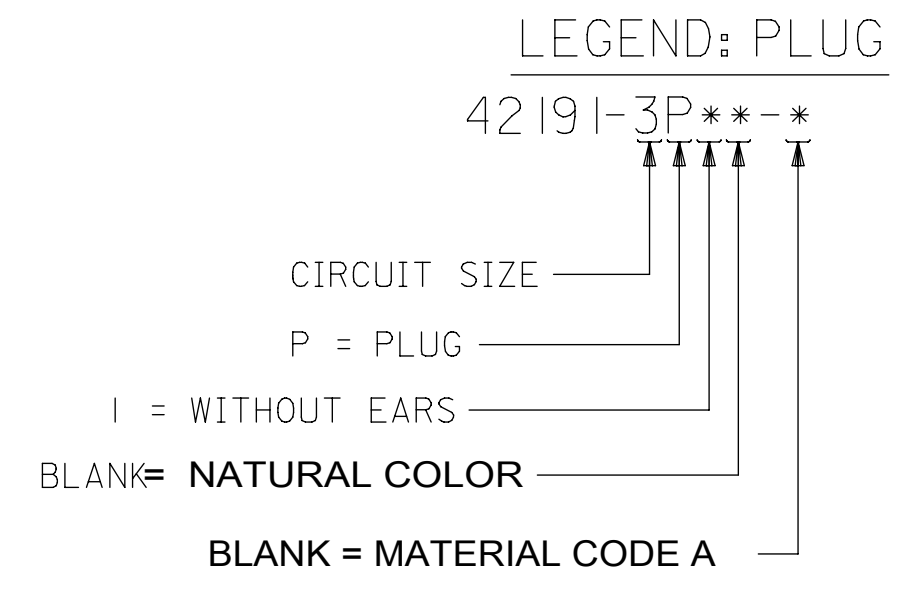


RECEPTACLE HOUSING

QUALITY SYMBOLS		THIS DRAWING CONTAINS INFORMATION THAT IS PROPRIETARY TO MOLEX ELECTRONIC TECHNOLOGIES, LLC AND SHOULD NOT BE USED WITHOUT WRITTEN PERMISSION												
▽ = 0	▽ = 0	ADD PK SPEC EC NO: 108502 DRWN: BAPPELDORN CHKD: MKIPPER REV APPR: FSMITH	GENERAL TOLERANCES (UNLESS SPECIFIED)				DIMENSION UNITS		SCALE					
▽ = 0	▽ = 0		MM		INCH		IN/MM		4:1					
▽ = 0	▽ = 0		4 PLACES ± ±				DRWN BY		DATE		.093/(2.36) HOUSING PLUG AND RECEPTACLE 3 CIRCUIT			
▽ = 0	▽ = 0		3 PLACES ± ± .010				AELHAG		12/17/2008					
▽ = 0	▽ = 0		2 PLACES ± 0.25 ± .014				CHK'D BY		DATE					
▽ = 0	▽ = 0		1 PLACES ± 0.36 ±				JBELL		12/17/2008		PRODUCT CUSTOMER DRAWING			
▽ = 0	▽ = 0	0 PLACES ± ±				APPR BY		DATE						
▽ = 0	▽ = 0	ANGULAR TOL = 1/2				FSMITH		2014/12/18		SERIES: 42191 MATERIAL NUMBER: SEE CHART CUSTOMER: GENERAL MARKET				
▽ = 0	▽ = 0	DRAFT WHERE APPLICABLE MUST REMAIN WITHIN DIMENSIONS				DRAWING SIZE		THIRD ANGLE PROJECTION		DOCUMENT NUMBER: 421910300-SD DOC TYPE: PSD DOC PART: 000 SHEET NUMBER: 2 OF 3				
▽ = 0	▽ = 0	A		C		C		C						

PLUG	
PART NO.	ENG. NO.
03-09-2171	42191-3P1

RECEPTACLE	
PART NO.	ENG. NO.
03-09-1171	42191-3R1
03-09-1173	42191-3R3



- NOTES:
- MATERIAL CODES:
A = NYLON TYPE 6/6, 94V-2
 - FINISH: NONE.
 - PRODUCT SPECIFICATION: NONE.
 - PACKAGING INFORMATION: 421910000-PK.
 - ALL THREE CIRCUITS ACCEPT DOUBLE WIRE CRIMPS OF 18 AWG MAXIMUM. CIRCUIT NO'S. 1 AND 3 WILL EACH ALLOW ONE OF THE WIRES TO HAVE AN OVERSIZE INSULATION THICKNESS OF .062/(1.57). CIRCUIT NO. 2 REQUIRES THAT BOTH WIRES NOT EXCEED AN INSULATION THICKNESS OF .031/(0.79).
 - LOCK RAMP STYLE IS OPTIONAL ON THIS SIDE OF PART. CHOICE OF EITHER A POSITIVE LOCK RAMP OR A PASSIVE LOCK RAMP IS AVAILABLE.
 - PARTS CONFORM TO CLASS 'B' REQUIREMENTS OF COSMETIC SPECIFICATION PS-45499-002.

QUALITY SYMBOLS ▽ = 0 ▽ = 0 ▽ = 0 ▽ = 0 ▽ = 0 ▽ = 0 ▽ = 0 ▽ = 0 ▽ = 0	THIS DRAWING CONTAINS INFORMATION THAT IS PROPRIETARY TO MOLEX ELECTRONIC TECHNOLOGIES, LLC AND SHOULD NOT BE USED WITHOUT WRITTEN PERMISSION											
	ADD PK SPEC EC NO: 108502 DRWN: BAPPELDORN CHKD: MKIPPER REV APPR: FSMITH	GENERAL TOLERANCES (UNLESS SPECIFIED)		DIMENSION UNITS		SCALE						
			MM	INCH	IN/MM		4:1					
		4 PLACES	±	±	DRWN BY		DATE		.093/(2.36) HOUSING PLUG AND RECEPTACLE 3 CIRCUIT PRODUCT CUSTOMER DRAWING SERIES: 42191 MATERIAL NUMBER: SEE CHART CUSTOMER: GENERAL MARKET DOCUMENT NUMBER: 421910300-SD DOC TYPE: PSD DOC PART: 000 SHEET NUMBER: 3 OF 3			
		3 PLACES	±	± .010	AELHAG		12/17/2008					
		2 PLACES	±	± 0.25 ± .014	CHK'D BY		DATE					
	1 PLACES	±	± 0.36 ±	JBELL		12/17/2008						
	0 PLACES	±	±	APPR BY		DATE						
		ANGULAR TOL = 1/2		FSMITH		2014/12/18						
		DRAFT WHERE APPLICABLE MUST REMAIN WITHIN DIMENSIONS		DRAWING SIZE		THIRD ANGLE PROJECTION						
			C									

X-ON Electronics

Largest Supplier of Electrical and Electronic Components

Click to view similar products for [Pin & Socket Connectors](#) category:

Click to view products by [Molex](#) manufacturer:

Other Similar products are found below :

[6450822-1](#) [770392-1](#) [794042-1](#) [796885-1](#) [8-794535-1](#) [PLR3455ACS-222](#) [R929991004](#) [R929993003](#) [1403611-1](#) [1-480349-5](#) [152302-5](#)
[153211-2](#) [1586092-1](#) [1586129-1](#) [1586681-4](#) [1586700-1](#) [1586368-1](#) [1586380-1](#) [1586616-1](#) [1586680-5](#) [16-06-0038](#) [164164-5](#) [1-6609930-1](#)
[172296-1](#) [19-09-2035](#) [200503-1](#) [200788-2](#) [2029090-4](#) [2029095-4](#) [925061-7](#) [293734-4](#) [293737-2](#) [1-765362-4](#) [1871534-1](#) [200833-4](#)
[2008625-2](#) [2029027-2](#) [2029096-4](#) [R929991000](#) [R929991002](#) [R929993000](#) [319-10-101-00-005000](#) [319-10-102-00-001000](#) [319-10-104-00-001000](#) [319-10-105-00-001000](#) [319-10-108-00-001000](#) [319-10-112-00-006000](#) [39-01-8019](#) [319-10-101-00-001000](#) [319-10-102-00-005000](#)