

**PLEASE CHECK WWW.MOLEX.COM FOR LATEST PART INFORMATION**

**Part Number:** [0003122036](#)  
**Status:** **Active**  
**Description:** 3.18mm Diameter, HCS125, Pin and Socket Plug Housing, Single Row, without Panel Mount Ears, 3 Circuits, Natural, Nylon 94V-2

**Documents:**

[3D Model](#) [Product Specification PSX-42179-001 \(PDF\)](#)  
[Drawing \(PDF\)](#) [RoHS Certificate of Compliance \(PDF\)](#)  
[3D Model \(PDF\)](#)

**Agency Certification**

CSA LR19980  
 UL E29179

**General**

Product Family Crimp Housings  
 Series [42179](#)  
 Application Power, Wire-to-Wire  
 Product Name HCS-125  
 UPC 800754232746

**Physical**

Circuits (maximum) 3  
 Color - Resin Natural  
 Flammability 94V-2  
 Gender Plug  
 Glow-Wire Capable No  
 Lock to Mating Part Yes  
 Material - Resin Nylon  
 Net Weight 3.879/g  
 Number of Rows 1  
 Packaging Type Bag  
 Panel Mount No  
 Pitch - Mating Interface 8.38mm  
 Polarized to Mating Part Yes  
 Stackable No  
 Temperature Range - Operating -40° to +105°C

**Electrical**

Current - Maximum per Contact 20.0A

**Solder Process Data**

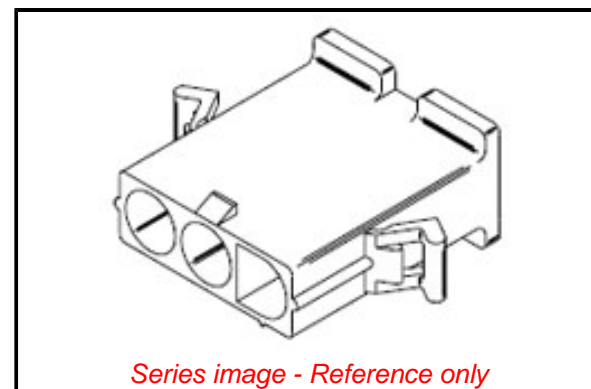
Lead-freeProcess Capability N/A

**Material Info**

Engineering Number 4217903P1

**Reference - Drawing Numbers**

Product Specification PSX-42179-001  
 Sales Drawing 421790000-SD-000



Series image - Reference only

**EU ELV**

**Not Relevant**

**EU RoHS**

**Compliant**

**REACH SVHC**

Not Contained Per -  
 ECHA\_01\_2020 (16  
 January 2020

**Halogen-Free**

**Status**

**Low-Halogen**

For more information, please visit [Contact US](#)

China ROHS

ELV

RoHS Phthalates

**China RoHS**

Green Image

Not Relevant

Not Contained

**Search Parts in this Series**

[42179 Series](#)

**Use With**

[1900 Male Crimp Terminals](#), [1901](#) , [2046](#) ,  
[2047](#) , [42546](#) , [42547](#) , [42554](#) , [42555](#)

## X-ON Electronics

Largest Supplier of Electrical and Electronic Components

*Click to view similar products for [Headers & Wire Housings](#) category:*

*Click to view products by [Molex](#) manufacturer:*

Other Similar products are found below :

[892-18-020-10-001101](#) [58102-G61-06LF](#) [582553-1](#) [0009485154](#) [009176003701906](#) [0050291907](#) [LY20-4P-DT1-P1E-BR](#) [02.125.8002.8](#)  
[609-3404](#) [61062-3](#) [622-0430](#) [622-3653LF](#) [63453-116](#) [636-1030](#) [636-1427](#) [636-3427](#) [636-4007](#) [641938-9](#) [641991-4](#) [644827-2](#) [65817-010LF](#)  
[65817-015LF](#) [65863-015LF](#) [66207-023LF](#) [67095-007LF](#) [67601157](#) [68648-049](#) [70.362.1628.0](#) [70-4210](#) [70-4226B](#) [70-4853B](#) [707-5020](#) [707-](#)  
[5028](#) [71.350.2428.0](#) [71918-208LF](#) [71961-016LF](#) [733-134](#) [733-162](#) [754199-000](#) [760-3052](#) [787-8014-00](#) [79531-3000](#) [FCN-360C032-B](#) [FCN-](#)  
[367T-T012/H](#) [FCN-723D010/2](#) [80.063.4001.1](#) [800-90-001-10-001000](#) [800-90-010-10-002000](#) [801-43-002-10-013000](#) [801-43-006-10-002000](#)