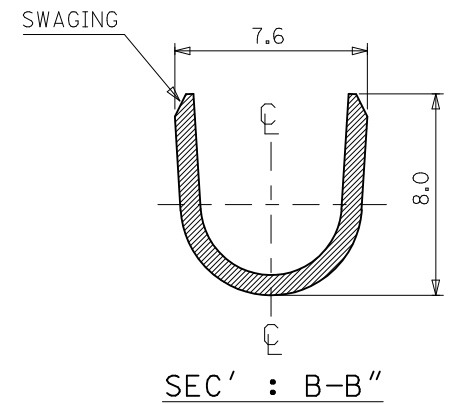
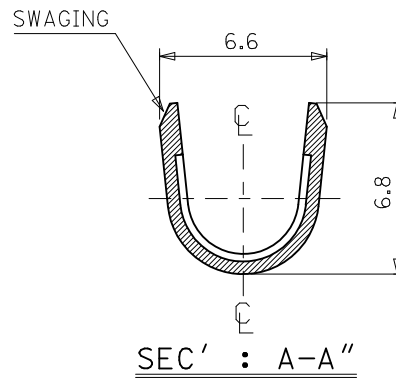
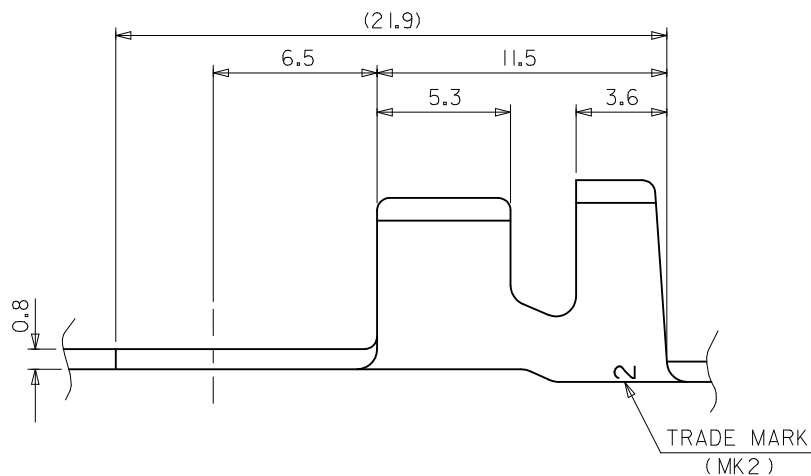


NOTES.

1. MATERIAL : BRASS 0.8 THICKNESS
2. FINISH : 35750-1700 : UNPLATED
35750-1710 : POST PLATED TIN
3. APPLICABLE WIRE : AWG#8~AWG#14[®]
INSULATION RANGE $\phi 5.4 \text{ MAX}^{\circ}$
4. RECOMMENDED LENGTH OF WIRE STRIP IS 7.0~7.8mm[Ⓞ]



REVISED EC NO: KOR2012-0111 DRWN:HYOU CHKD:SH.CHU APPR:YSK1M02	DESCRIPTION 2012/04/21 2012/04/25	QUALITY SYMBOLS	GENERAL TOLERANCES (UNLESS SPECIFIED)	DIMENSION STYLE	SCALE	DESIGN UNITS	THIRD ANGLE PROJECTION	
		$\nabla=0$ $\text{C}=0$	mm INCH 4 PLACES ± --- ± --- 3 PLACES ± --- ± --- 2 PLACES ± --- ± --- 1 PLACE ± 0.3 ± --- 0 PLACE ± --- ± ---	MM ONLY	1:1	METRIC		
			ANGULAR ± 1 °	DRAWN BY	DATE	TITLE		
			DRAFT WHERE APPLICABLE MUST REMAIN WITHIN DIMENSIONS	JS.KANG	1993/07/08	4.5 RING TM(LA204)		
D1	REV			CHECKED BY	DATE	molex SD-35750-17*0		
				BK.CH01	1993/07/08			DOCUMENT NO.
				APPROVED BY	DATE	1 OF 1		
				YSK1M02	2012/04/25	THIS DRAWING CONTAINS INFORMATION THAT IS PROPRIETARY TO MOLEX INCORPORATED AND SHOULD NOT BE USED WITHOUT WRITTEN PERMISSION		

X-ON Electronics

Largest Supplier of Electrical and Electronic Components

Click to view similar products for [Molex manufacturer:](#)

Other Similar products are found below :

[0000 11 01](#) [0002061101](#) [0002061103](#) [0002061131](#) [0002062101](#) [0002062103](#) [0002062131](#) [0002062132](#) [0002065100](#) [0002065101](#)
[0002065103](#) [0002066100](#) [0002066101](#) [0002066102](#) [0002066103](#) [0002066122](#) [0002067103](#) [0002068103](#) [0002072101](#) [0002081002](#)
[0002081003](#) [0002081004](#) [0002081201](#) [0002082003](#) [0002082004](#) [0002091102](#) [0002091104](#) [0002091117](#) [0002091119](#) [0002091205](#)
[0002091615](#) [0002092105](#) [0002092116](#) [0002092118](#) [0002092133](#) [0002092166](#) [0002092611](#) [0002096100](#) [0002096122](#) [0002096123](#)
[0002098103](#) [0002098108](#) [00029P0126](#) [0003061011](#) [0003061022](#) [0003061023](#) [0003061032](#) [0003061038](#) [0003061042](#) [0003061044](#)