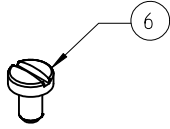
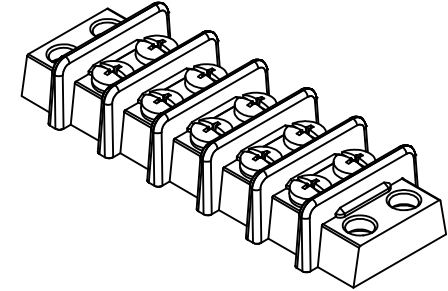
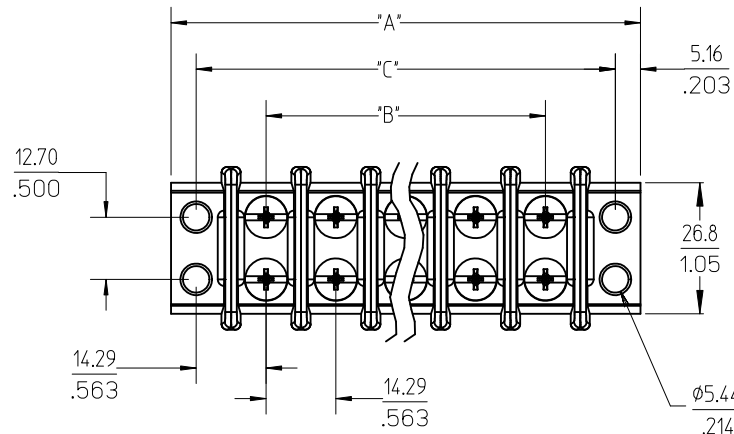


REF. -50 OPT. SCREW  
(WHERE APPLICABLE)

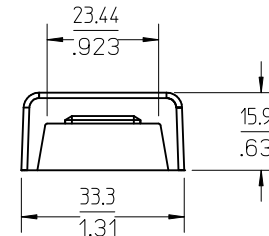
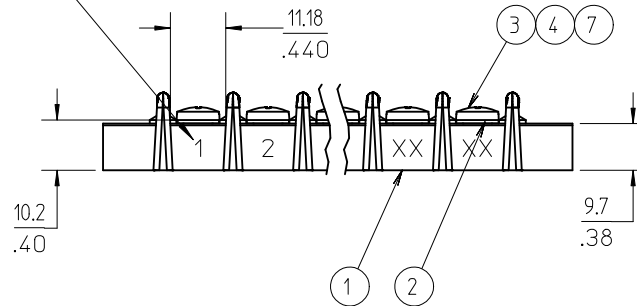


REF. -56 OPT. SCREW  
(WHERE APPLICABLE)



5 CIRCUIT SHOWN

IMPRINTING FOR  
OPTION -10A ONLY  
(SEE NOTE 4)



NOTES:

1. MATERIAL: SEE TABLE
2. FINISHES: SEE TABLE
3. PRODUCT SPECIFICATION: NOT REQUIRED
4. IMPRINTING STYLE -10A (ONE SIDE)  
IMPRINT TEXT TO BE .135" HEIGHT.
5. "XX" REFERS TO THE QUANTITY OF CIRCUITS.
6. ROHS COMPLIANT.

| ITEM | QTY. | DESCRIPTION                                 | MATERIAL | FINISH             |
|------|------|---|----------|--------------------|
| 7    | XX*2 | SCREW #8-32X.312 PHLP STAINLESS (OPT-53-56) | STEEL    | PASSIVATE          |
| 6    | XX*2 | SCREW #8-32X.312 SLOT STAINLESS (OPT -56)   | STEEL    | PASSIVATE          |
| 5    | XX*2 | SCREW #8-32X.312 PAN PHS LZN/BR/STEEL -50   | STEEL    | ZN, CLEAR CHROMATE |
| 4    | XX*2 | SCREW #8-32X.312 BHD PHS LN/BRASS -49       | BRASS    | NICKEL PLATE       |
| 3    | XX*2 | SCREW, #8-32 X .312, BHD, PHIL-SLOT         | STEEL    | ZN, CLEAR CHROMATE |
| 2    | XX   | TERMINAL, EYELET, TWIN                      | BRASS    | NICKEL PLATE       |
| 1    | 1    | INSULATOR, AS CUT                           | PHENOLIC | BLACK              |

|  |                 |
|--|-----------------|
| UPDATE SHEET 2 TABLE<br>EC NO: WNA2010-0297<br>DRWN: JENC INAS 2009/10/29<br>CHKD: CYORK 2009/12/01<br>APPR: JIMAGNE II 2009/12/01 | QUALITY SYMBOLS |
|  | ▼=0<br>▽=0      |
|  | DESCRIPTION     |
|  | REV             |

|  |                       |      |
|--|-----------------------|------|
| GENERAL TOLERANCES<br>(UNLESS SPECIFIED)                   | mm                    | INCH |
|  | 4 PLACES ± --- ± ---  |      |
|  | 3 PLACES ± --- ± .005 |      |
|  | 2 PLACES ± 0.13 ± .01 |      |
|  | 1 PLACE ± 0.3 ± ---   |      |
| ANGULAR ± 2 °  |                       |      |
| DRAFT WHERE APPLICABLE<br>MUST REMAIN<br>WITHIN DIMENSIONS |                       |      |

|                             |                    |
|-----------------------------|--------------------|
| DIMENSION STYLE<br>MM/IN    |                    |
| DRAWN BY<br>C. YORK         | DATE<br>2004/11/22 |
| CHECKED BY<br>G. ROBERTSON  | DATE<br>2004/12/01 |
| APPROVED BY<br>G. ROBERTSON | DATE<br>2004/12/01 |
| MATERIAL NO.                |                    |

|   |                      |                           |
|---|----------------------|---------------------------|
| SCALE<br>1:1  | DESIGN UNITS<br>INCH | THIRD ANGLE<br>PROJECTION |
| 14.29MM [.563]<br>DOUBLE ROW<br>PHENOLIC BTS ASSEMBLY |                      |                           |
| MOLEX INCORPORATED                                    |                      |                           |
| DOCUMENT NO.<br>SD-38210-001                          | SHEET NO.<br>1 OF 2  |                           |

THIS DRAWING CONTAINS INFORMATION THAT IS PROPRIETARY TO MOLEX INCORPORATED AND SHOULD NOT BE USED WITHOUT WRITTEN PERMISSION

| QTY. OF CIRC. "XX" | DIM. "A"      | DIM. "B" $\text{\textcircled{D}}$ | DIM. "C"      | MATERIAL NO. (STANDARD) | MATERIAL NO. (-49 OPTION) | MATERIAL NO. (-50 OPTION) | MATERIAL NO. (-59 OPTION) | MATERIAL NO. (-49-59 OPTION) | MATERIAL NO. (-56 OPTION) | MATERIAL NO. (-53-56 OPTION) | MATERIAL NO. (-10A OPTION) | MATERIAL NO. (-10A-49 OPTION) | MATERIAL NO. (-10A-50 OPTION) |
|--------------------|---------------|-----------------------------------|---------------|-------------------------|---------------------------|---------------------------|---------------------------|------------------------------|---------------------------|------------------------------|----------------------------|-------------------------------|-------------------------------|
| 02                 | 53.2 [2.09]   | 14.3 [.56]                        | 42.8 [1.69]   | 382100102               | 382100202                 | 382100302                 | 382190067                 | 382190247                    | 382190191                 | 382190063                    | 382100502                  | ---                           | ---                           |
| 03                 | 67.5 [2.66]   | 28.6 [1.13]                       | 57.1 [2.25]   | 382100103               | 382100203                 | 382100303                 | 382190069                 | 382190248                    | 382190057                 | 382190195                    | 382100503                  | ---                           | ---                           |
| 04                 | 81.7 [3.22]   | 42.8 [1.69]                       | 71.4 [2.81]   | 382100104               | 382100204                 | 382100304                 | 382190080                 | 382190083                    | 382190081                 | ---                          | 382100504                  | ---                           | ---                           |
| 05                 | 96.0 [3.78]   | 57.1 [2.25]                       | 85.7 [3.38]   | 382100105               | 382100205                 | 382100305                 | 382190090                 | 382190092                    | 382190132                 | ---                          | 382100505                  | ---                           | ---                           |
| 06                 | 110.3 [4.34]  | 71.4 [2.81]                       | 100.0 [3.94]  | 382100106               | 382100206                 | 382100306                 | 382190109                 | 382190110                    | 382190221                 | ---                          | 382100506                  | 382190155                     | 382190156                     |
| 07                 | 124.6 [4.91]  | 85.7 [3.38]                       | 114.3 [4.50]  | 382100107               | 382100207                 | 382100307                 | 382190200                 | 382190130                    | 382190203                 | 382190129                    | 382100507                  | ---                           | ---                           |
| 08                 | 138.9 [5.47]  | 100.0 [3.94]                      | 128.5 [5.06]  | 382100108               | 382100208                 | 382100308                 | 382190011                 | ---                          | 382190010                 | ---                          | 382100508                  | ---                           | ---                           |
| 09                 | 153.2 [6.03]  | 114.3 [4.50]                      | 142.8 [5.63]  | 382100109               | 382100209                 | 382100309                 | ---                       | ---                          | 382190192                 | ---                          | 382100509                  | ---                           | ---                           |
| 10                 | 167.5 [6.59]  | 128.5 [5.06]                      | 157.1 [6.19]  | 382100110               | 382100210                 | 382100310                 | 382190202                 | 382190020                    | 382190022                 | ---                          | 382100510                  | ---                           | ---                           |
| 11                 | 181.8 [7.16]  | 142.8 [5.63]                      | 171.4 [6.75]  | 382100111               | 382100211                 | 382100311                 | 382190047                 | ---                          | 382190255                 | ---                          | 382100511                  | ---                           | ---                           |
| 12                 | 196.0 [7.72]  | 157.1 [6.19]                      | 185.7 [7.31]  | 382100112               | 382100212                 | 382100312                 | 382190030                 | ---                          | 382190056                 | ---                          | 382100512                  | ---                           | ---                           |
| 13                 | 210.3 [8.28]  | 171.4 [6.75]                      | 200.0 [7.88]  | 382100113               | 382100213                 | 382100313                 | ---                       | ---                          | ---                       | ---                          | 382100513                  | ---                           | ---                           |
| 14                 | 224.6 [8.84]  | 185.7 [7.31]                      | 214.3 [8.44]  | 382100114               | 382100214                 | 382100314                 | ---                       | ---                          | ---                       | 382190032                    | 382100514                  | ---                           | ---                           |
| 15                 | 238.9 [9.41]  | 200.0 [7.88]                      | 228.6 [9.00]  | 382100115               | 382100215                 | 382100315                 | ---                       | ---                          | ---                       | ---                          | 382100515                  | ---                           | ---                           |
| 16                 | 253.2 [9.97]  | 214.3 [8.44]                      | 242.8 [9.56]  | 382100116               | 382100216                 | 382100316                 | ---                       | ---                          | 382190254                 | ---                          | 382100516                  | ---                           | ---                           |
| 17                 | 267.5 [10.53] | 228.6 [9.00]                      | 257.1 [10.13] | 382100117               | 382100217                 | 382100317                 | ---                       | ---                          | ---                       | ---                          | 382100517                  | ---                           | ---                           |
| 18                 | 281.8 [11.09] | 242.8 [9.56]                      | 271.4 [10.69] | 382100118               | 382100218                 | 382100318                 | ---                       | ---                          | 382190198                 | ---                          | 382100518                  | ---                           | ---                           |
| 19                 | 296.1 [11.66] | 257.1 [10.13]                     | 285.7 [11.25] | 382100119               | 382100219                 | 382100319                 | ---                       | ---                          | ---                       | ---                          | 382100519                  | ---                           | ---                           |
| 20                 | 310.3 [12.22] | 271.4 [10.69]                     | 300.0 [11.81] | 382100120               | 382100220                 | 382100320                 | ---                       | ---                          | ---                       | ---                          | 382100520                  | ---                           | ---                           |
| 21                 | 324.6 [12.78] | 285.7 [11.25]                     | 314.3 [12.38] | 382100121               | 382100221                 | 382100321                 | ---                       | ---                          | ---                       | ---                          | 382100521                  | ---                           | ---                           |
| 22                 | 338.9 [13.34] | 300.0 [11.81]                     | 328.6 [12.94] | 382100122               | 382100222                 | 382100322                 | ---                       | ---                          | ---                       | ---                          | 382100522                  | ---                           | ---                           |
| 23                 | 353.2 [13.91] | 314.3 [12.38]                     | 342.9 [13.50] | 382100123               | 382100223                 | 382100323                 | ---                       | ---                          | ---                       | ---                          | 382100523                  | ---                           | ---                           |
| 24                 | 367.5 [14.47] | 328.6 [12.94]                     | 357.1 [14.06] | 382100124               | 382100224                 | 382100324                 | ---                       | ---                          | ---                       | ---                          | 382100524                  | ---                           | ---                           |
| 25                 | 381.8 [15.03] | 342.9 [13.50]                     | 371.4 [14.63] | 382100125               | 382100225                 | 382100325                 | ---                       | ---                          | ---                       | ---                          | 382100525                  | ---                           | ---                           |
| 26                 | 396.1 [15.59] | 357.1 [14.06]                     | 385.7 [15.19] | 382100126               | 382100226                 | 382100326                 | ---                       | ---                          | ---                       | ---                          | 382100526                  | ---                           | ---                           |
| 27                 | 410.4 [16.16] | 371.4 [14.63]                     | 400.0 [15.75] | 382100127               | 382100227                 | 382100327                 | ---                       | ---                          | ---                       | ---                          | 382100527                  | ---                           | ---                           |
| 28                 | 424.7 [16.72] | 385.7 [15.19]                     | 414.3 [16.31] | 382100128               | 382100228                 | 382100328                 | ---                       | ---                          | ---                       | ---                          | 382100528                  | ---                           | ---                           |
| 29                 | 439.0 [17.28] | 400.0 [15.75]                     | 428.6 [16.87] | 382100129               | 382100229                 | 382100329                 | ---                       | ---                          | ---                       | ---                          | 382100529                  | ---                           | ---                           |
| 30                 | 453.3 [17.85] | 414.3 [16.31]                     | 442.9 [17.44] | 382100130               | 382100230                 | 382100330                 | ---                       | ---                          | ---                       | ---                          | 382100530                  | ---                           | ---                           |

|  |   |   |  |  |   |
|--|---|---|--|--|---|
| <b>UPDATE TABLE</b><br>EC NO: WNA2010-0297<br>DRWN: JENC INAS 2009/10/29<br>CHKD: CYORK 2009/12/01<br>APPR: JMACNE IL 2009/12/01 | QUALITY SYMBOLS<br>$\nabla=0$<br>$\nabla=0$ | GENERAL TOLERANCES (UNLESS SPECIFIED)<br>mm INCH<br>4 PLACES $\pm$ --- $\pm$ ---<br>3 PLACES $\pm$ --- $\pm$ .005<br>2 PLACES $\pm$ 0.13 $\pm$ .01<br>1 PLACE $\pm$ 0.3 $\pm$ ---<br>ANGULAR $\pm$ 2° | DIMENSION STYLE<br>MM/IN<br>DRAWN BY DATE<br>C. YORK 2004/11/22<br>CHECKED BY DATE<br>G. ROBERTSON 2004/12/01<br>APPROVED BY DATE<br>G. ROBERTSON 2004/12/01 | SCALE<br>1:1<br>DESIGN UNITS<br>INCH<br>THIRD ANGLE PROJECTION |   |
|  |   | DRAFT WHERE APPLICABLE<br>MUST REMAIN<br>WITHIN DIMENSIONS  | MATERIAL NO.<br>SEE CHART  | TITLE<br>14.29MM [.563]<br>DOUBLE ROW<br>PHENOLIC BTS ASSEMBLY | MOLEX INCORPORATED  |
|  |   | SIZE<br>B   | DOCUMENT NO.<br>SD-38210-001   | SHEET NO.<br>2 OF 2  | THIS DRAWING CONTAINS INFORMATION THAT IS PROPRIETARY TO MOLEX INCORPORATED AND SHOULD NOT BE USED WITHOUT WRITTEN PERMISSION |
|  |   |   |  |  |   |

## **X-ON Electronics**

Largest Supplier of Electrical and Electronic Components

*Click to view similar products for [molex](#) manufacturer:*

Other Similar products are found below :

[60506-C-50](#) [73108](#) [72903](#) [1062837003](#) [0533241060](#) [68301-1017](#) [71506-C](#) [880504](#) [387790039](#) [53254-0710](#) [85071-0017](#) [387204903](#)  
[783472003](#) [514412093](#) [0026482195](#) [0191310031](#) [503308-4410](#) [02-09-6102](#) [0008650814](#) [791099208](#) [0039000218](#) [89762-1403](#) [89762-1542](#)  
[89762-1582](#) [0011404526](#) [00136](#) [0022173102](#) [0026615060](#) [CR4006A30M003](#) [0039532085](#) [58098-0628](#) [0003092041](#) [0008520123](#)  
[0011030025](#) [0011184017](#) [0022162060](#) [0022552102](#) [01312](#) [M15730061](#) [61432](#) [6150300002](#) [CS63W64](#) [CS8264N](#) [CS8365N](#) [CS8369](#)  
[62201-8780](#) [62500-1774](#) [M37730026](#) [63103-50](#) [63443-2215](#)