

PLEASE CHECK WWW.MOLEX.COM FOR LATEST PART INFORMATION

Part Number: [0473095251](#)
Status: **Active**
Overview: microSD Memory Card Connector
Description: 1.10mm Pitch microSD* Card Header, with Detect Switch, Height 5.25mm, Lead-Free, Gold (Au) Plated 0.762µm

Documents:

[3D Model](#) [Packaging Specification PK-47309-525 \(PDF\)](#)
[Drawing \(PDF\)](#) [RoHS Certificate of Compliance \(PDF\)](#)

General

Product Family	Memory Card Sockets
Series	47309
Comments	Push-Pull Type
Overview	<u>microSD Memory Card Connector</u>
Product Name	microSD* Card, TransFlash
Style	Guide and Holder
UPC	822350615327

Physical

Card Detection Switch	Open
Card Entry Location	Front
Circuits (Loaded)	8
Circuits (maximum)	8
Color - Resin	Black
Durability (mating cycles max)	10000
Ejector Button Side	N/A
Keying to Mating Part	Yes
Material - Metal	Phosphor Bronze
Material - Plating Mating	Gold over Nickel
Material - Plating Termination	Gold
Material - Resin	High Temperature Thermoplastic
Net Weight	0.407/g
PCB Locator	No
PCB Retention	Yes
Packaging Type	Embossed Tape on Reel
Pitch - Mating Interface	1.10mm
Pitch - Termination Interface	1.10mm
Temperature Range - Operating	-40°C to +85°C
Termination Interface: Style	Surface Mount

Electrical

Current - Maximum per Contact	0.5A
Shielded	Yes
Voltage - Maximum	5V DC

Solder Process Data

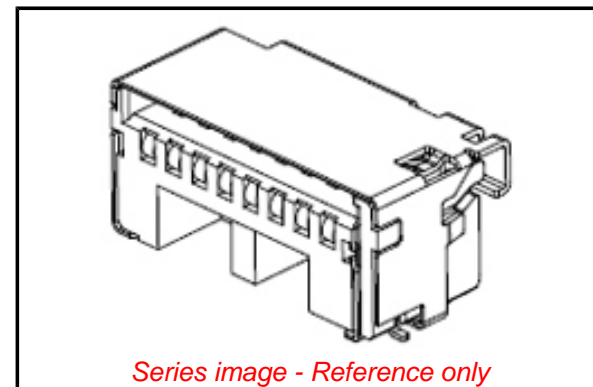
Duration at Max. Process Temperature (seconds)	003
Lead-freeProcess Capability	REFLOW
Max. Cycles at Max. Process Temperature	002
Process Temperature max. C	255

Material Info

Reference - Drawing Numbers

Packaging Specification	PK-47309-525
Sales Drawing	SD-47309-525

*microSD is a trademark or registered trademark of SD-3C, LLC.



Series image - Reference only

EU ELV

Not Relevant

EU RoHS

Compliant

REACH SVHC

Not Contained Per -
ED/21/2016 (20 June
2016)

Halogen-Free

Status

Low-Halogen

**Need more information on product
environmental compliance?**

Email productcompliance@molex.com
Please visit the [Contact Us](#) section for any
non-product compliance questions.

China ROHS
ELV

Green Image
Not Relevant

Search Parts in this Series

[47309 Series](#)

Mates With

Standard SIM Card

Use With

microSD Card

This document was generated on 07/25/2016

PLEASE CHECK WWW.MOLEX.COM FOR LATEST PART INFORMATION

X-ON Electronics

Largest Supplier of Electrical and Electronic Components

Click to view similar products for [Memory Card Connectors](#) category:

Click to view products by [Molex](#) manufacturer:

Other Similar products are found below :

[M21-033321-005](#) [6426-201-21343](#) [69.920.0553.0](#) [MCR60A-98D-2.54DSA\(70\)](#) [FCN-568P068-G/07-4V](#) [809180410000000](#) [95622-003LF](#)
[DM3AT-SF-PEJM5\(41\)](#) [EN2997S72039F6](#) [N7E50-7516PG-20-WF](#) [IC11S-BUR-PNEJL\(71\)](#) [NX30TA-15PAA\(50\)](#) [NX60TA-25SAA9-](#)
[SP\(50\)](#) [21920-5](#) [2041353-2](#) [FUA006-3220-0](#) [33CFAE-DN](#) [MI21A-50PD-SF-EJR\(91\)](#) [502431-1011](#) [5175651-2](#) [10-247926-166](#)
[EN2997S02039B8](#) [EN2997S61212BN](#) [EN2997S72039B6](#) [EN2997SE02039B8](#) [EN2997SE61212BN](#) [EN2997SE72039B6](#) [NX1-32T-](#)
[KT3K\(05\)](#) [95622-003LF](#) [91-570124-15P](#) [192900-0488](#) [DM1AA-SF-PEJ](#) [95079-00CALF](#) [84648-056HLF](#) [68-580163-21S](#) [33DVIR-29S12R](#)
[SF58S006VBBR2000](#) [93-570123-08P](#) [GMC020080HR](#) [125A-78C00](#) [1010040575#](#) [MI20A-50PD-SF-EJL\(71\)](#) [KP10S-SF-PEJ\(812\)](#)
[DM1AA-SF-PEJ\(31\)](#) [FO-10GGBLCX20-002](#) [504536-0691](#) [115S-ACA2](#) [115S-ACA3](#) [115S-BS00](#) [115S-BT00](#)