

## FEATURES AND SPECIFICATIONS

### Features and Benefits

- Sizes 2 to 15 circuits
- Very low profile
- Molded-in pull tabs
- Friction lock

### Reference Information

Packaging: Bag  
 UL File No.: E29179  
 CSA File No.: LR19980  
 Mates With: **5267-NA-X** and **5268-NA**  
 Use With: **5263** terminals  
 Designed In: Millimeters

### Electrical

Voltage: 250V  
 Current:

AWG	22	24	26	28
Amperes	3.0	2.5	2.0	1.5

Contact Resistance: 20mΩ max.  
 Dielectric Withstanding Voltage: 1000V AC/1 min.  
 Insulation Resistance: 1000 MΩ min.

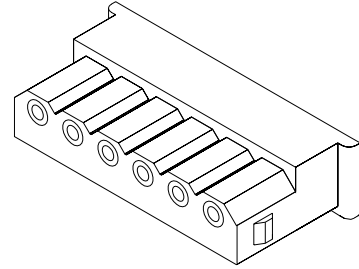
### Physical

Housing: 6/6 nylon, UL 94V-0  
 Operating Temperature: -40 to +105°C



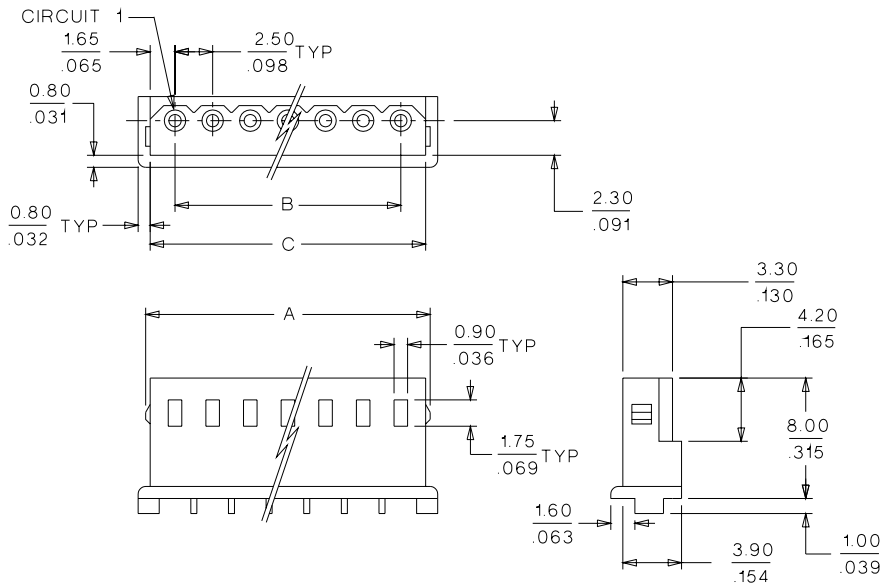
# 2.50mm (.098") Pitch SPOX™ Wire-to-Board Crimp Terminal Housing

## 5264-N Shrouded



**B** 2.00 to 2.50mm (.079 to .098") Pitch

## CATALOG DRAWING (FOR REFERENCE ONLY)



## ORDERING INFORMATION AND DIMENSIONS

Circuits	Order No.	Dimension		
		A	B	C
2	50-37-5023	6.40 (.252)	2.50 (.098)	5.80 (.228)
3	50-37-5033	8.90 (.350)	5.00 (.197)	8.30 (.327)
4	50-37-5043	11.40 (.449)	7.50 (.295)	10.80 (.425)
5	50-37-5053	13.90 (.547)	10.00 (.394)	13.30 (.524)
6	50-37-5063	16.40 (.646)	12.50 (.492)	15.80 (.622)
7	50-37-5073	18.90 (.744)	15.00 (.591)	18.30 (.720)
8	50-37-5083	21.40 (.843)	17.50 (.689)	20.80 (.819)
9	50-37-5093		20.00 (.787)	23.30 (.917)
10	50-37-5103		22.50 (.886)	25.80 (1.016)
11	50-37-5113		25.00 (.984)	28.30 (1.114)
12	50-37-5123		27.50 (1.083)	30.80 (1.213)
13	50-37-5133		30.00 (1.181)	33.30 (1.311)
14	50-37-5143		32.50 (1.280)	35.80 (1.409)
15	50-37-5153		35.00 (1.378)	38.30 (1.508)

## X-ON Electronics

Largest Supplier of Electrical and Electronic Components

*Click to view similar products for [I/O Connectors](#) category:*

*Click to view products by [Molex](#) manufacturer:*

Other Similar products are found below :

[571763P](#) [58098-0628](#) [61-168618-12P](#) [D38999/20FJ29SB L/C](#) [72.250.1628.2](#) [72.250.2428.2](#) [74720-0505](#) [747680210](#) [76.350.0729.0](#) [76871-1403](#) [FCN-244F080-G/1](#) [FCN-260A9920](#) [FCN-268D024-G/2F#10X-R10](#) [MP-5T180MUNNA-005](#) [MP-5XRJ45UNNB-003](#) [PCS-E50FA](#) [PCS-XE26LKA](#) [PCS-XE26MA+](#) [PCS-XES68MS+](#) [G38A71314B](#) [91-569719-35R](#) [9776-18-6](#) [DX40-50P\(55\)](#) [1571250010](#) [157-22500-3](#) [MS3471L14-19P L/C](#) [171224-6031](#) [1888020-8](#) [91-569786-35H](#) [91-569786-35M](#) [91-644626-35P](#) [172501-4002](#) [172501-6002](#) [FCN-260C008-A/L0](#) [FCN-260C024-AL0](#) [FCN-261Z008](#) [FCN-268D008-G/1K](#) [2000314-1](#) [200331-1](#) [2007498-2](#) [PCR-E28LMDAG1+](#) [PCR-E36FC+](#) [PCS-E28FS+](#) [PCS-XE26SLFD+](#) [PCS-XE26SLFDT+](#) [G38A71214B](#) [HDRA-E68W1LFDTC-SL+](#) [HDR-E14MSG1+](#) [R88A-CNK81S](#) [CRT1-ATT02](#)