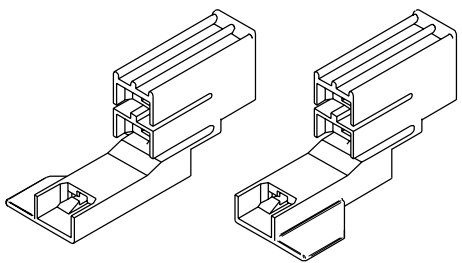
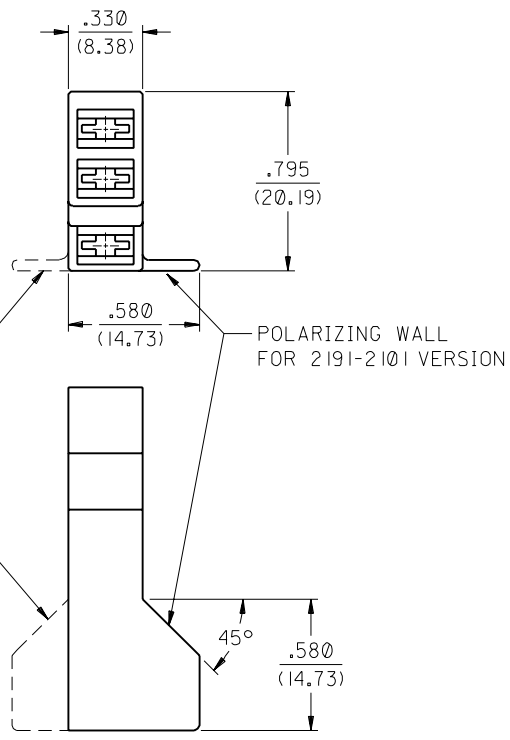
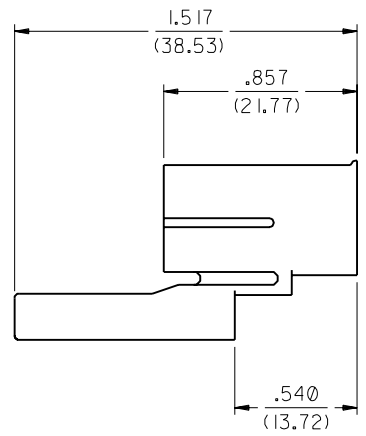
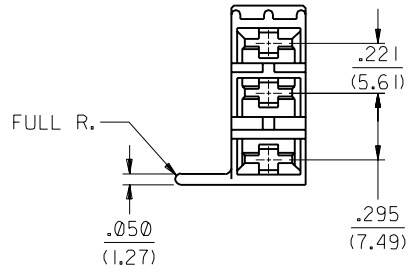


PART NUMBER	ENG. NO.	COLOR
006-02-9033	2191-2101	BLACK
006-02-9034	2191-2002	NATURAL



2191-2101      2191-2002

NOTES:

- MATERIAL:  
NYLON 6/6, UL 94V-2  
COLOR: SEE CHART
- THIS HOUSING FOR USE WITH 2176 AND 2576 SERIES TERMINALS.
- ALL DIMENSIONS ARE FOR REFERENCE ONLY.

A	FINAL RELEASE ECN U70232 RUSHTON 8-30-96
I	X-RELEASE ECN U6 0632 95/12/19 GJK

MFG.	SH.	REV.	LTR.	REVISIONS
------	-----	------	------	-----------

DIMENSIONS SHOWN (METRIC) INCH		▽ = 0	▼ = 0	REVISE ONLY ON CAD SYSTEM																									
UNLESS OTHERWISE SPECIFIED TOLERANCES: ANGULAR ± 1/2°		TITLE SWITCH CONNECTOR HOUSING, 3 CIRCUIT FLAT BLADE SYSTEM																											
<table border="1"> <thead> <tr> <th></th> <th>INCH</th> <th>METRIC</th> </tr> </thead> <tbody> <tr> <td>3 PLACE</td> <td>± ---</td> <td>---</td> </tr> <tr> <td>2 PLACE</td> <td>± ---</td> <td>± ---</td> </tr> <tr> <td>1 PLACE</td> <td>--- ±</td> <td>± ---</td> </tr> </tbody> </table>			INCH	METRIC	3 PLACE	± ---	---	2 PLACE	± ---	± ---	1 PLACE	--- ±	± ---	<table border="1"> <tr> <td>MOLEX</td> <td>MOLEX INCORPORATED</td> <td>SHEET NO.</td> <td>DATE</td> </tr> <tr> <td></td> <td>LISLE, ILL.</td> <td>60532</td> <td>U.S.A.</td> </tr> <tr> <td></td> <td></td> <td>1 OF 1</td> <td>95/12/19</td> </tr> </table>				MOLEX	MOLEX INCORPORATED	SHEET NO.	DATE		LISLE, ILL.	60532	U.S.A.			1 OF 1	95/12/19
	INCH	METRIC																											
3 PLACE	± ---	---																											
2 PLACE	± ---	± ---																											
1 PLACE	--- ±	± ---																											
MOLEX	MOLEX INCORPORATED	SHEET NO.	DATE																										
	LISLE, ILL.	60532	U.S.A.																										
		1 OF 1	95/12/19																										
DRAFT WHERE APPLICABLE MUST REMAIN WITHIN DIMENSIONS		PART NO. SEE CHART      DRWG. NO. SD-2191-2*0*																											
DRWG. BY GJK	CHK'D. BY KBP	FILE NAME S2191X1.DGN		THIS DRAWING CONTAINS INFORMATION THAT IS PROPRIETARY TO MOLEX INC. AND SHOULD NOT BE USED WITHOUT WRITTEN PERMISSION.																									
APP'D. BY RAS	SCALE 2 : 1			DIV. CP	SIZE B																								

## X-ON Electronics

Largest Supplier of Electrical and Electronic Components

*Click to view similar products for [Power to the Board](#) category:*

*Click to view products by [Molex](#) manufacturer:*

Other Similar products are found below :

[6450171-4](#) [6450552-7](#) [6600323-8](#) [6643429-1](#) [6646040-2](#) [6651939-1](#) [6766604-1](#) [120959-1](#) [1393557-2](#) [1393532-2](#) [1393532-3](#) [1393532-4](#)  
[1393557-1](#) [1600812-5](#) [1-6450861-2](#) [1744132-7](#) [1761122-1](#) [1766250-1](#) [1892109-1](#) [2-6450860-5](#) [2-6450870-0](#) [1-6450161-4](#) [1-6450850-6](#) [1-6450869-6](#) [1645526-2](#) [1-6600130-0](#) [2005243-2](#) [377-0020-11130](#) [TE34-12-16P-F0](#) [5-6450830-6](#) [5646956-4](#) [377-0080-11131A](#) [4-6450830-9](#)  
[4-6600333-3](#) [10125416-4050LF](#) [6600320-3](#) [3-6450860-5](#) [1888123-2](#) [6450166-1](#) [6643978-1](#) [6766605-1](#) [701-15-02109](#) [N11444](#) [6651938-1](#)  
[6450810-7](#) [46437-1112](#) [1-1589677-8](#) [5646956-5](#) [6450813-2](#) [6450129-4](#)