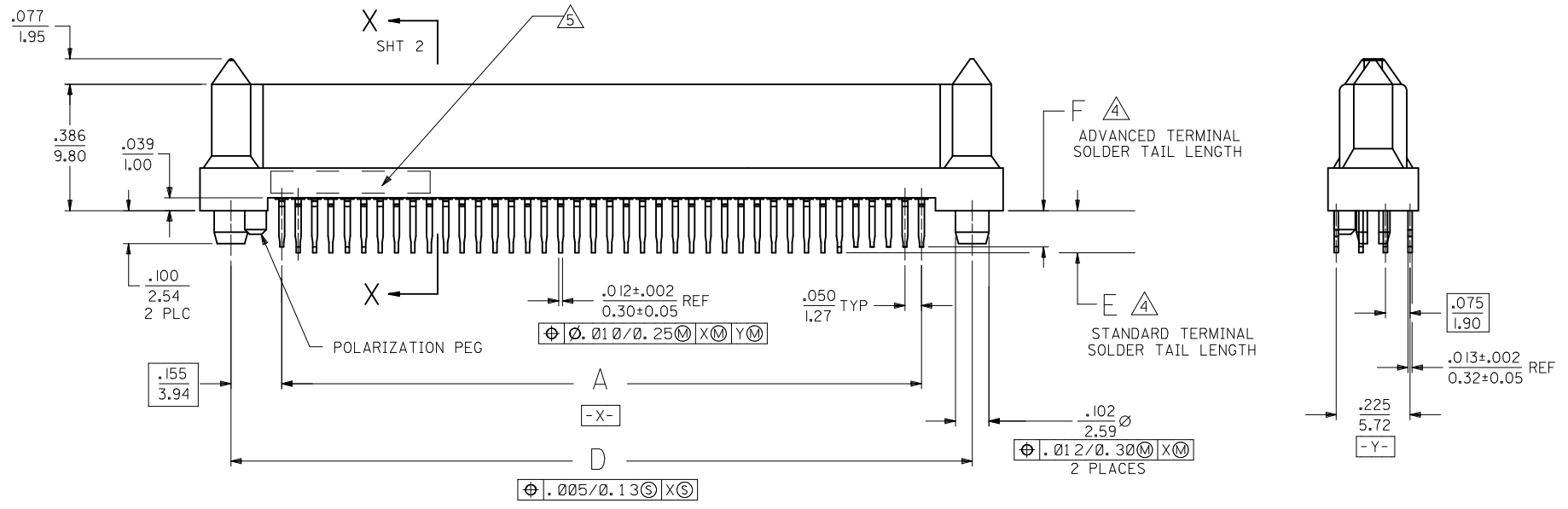
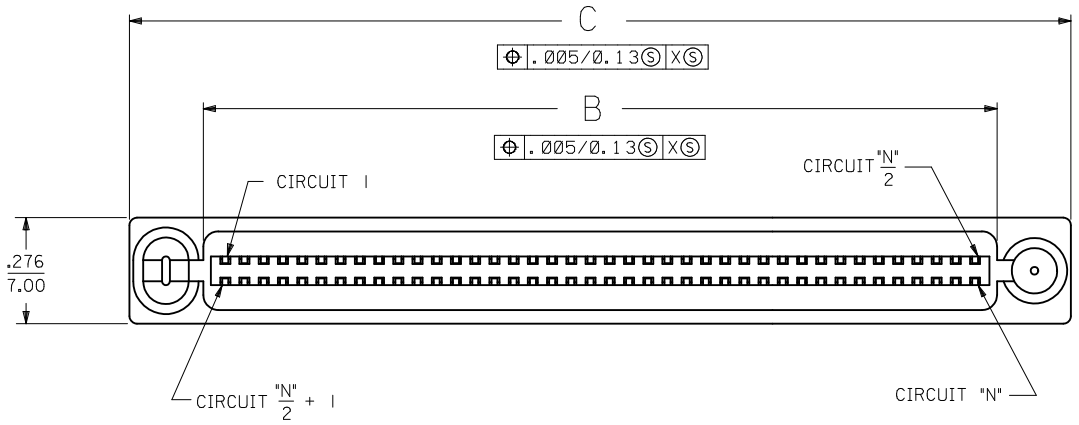


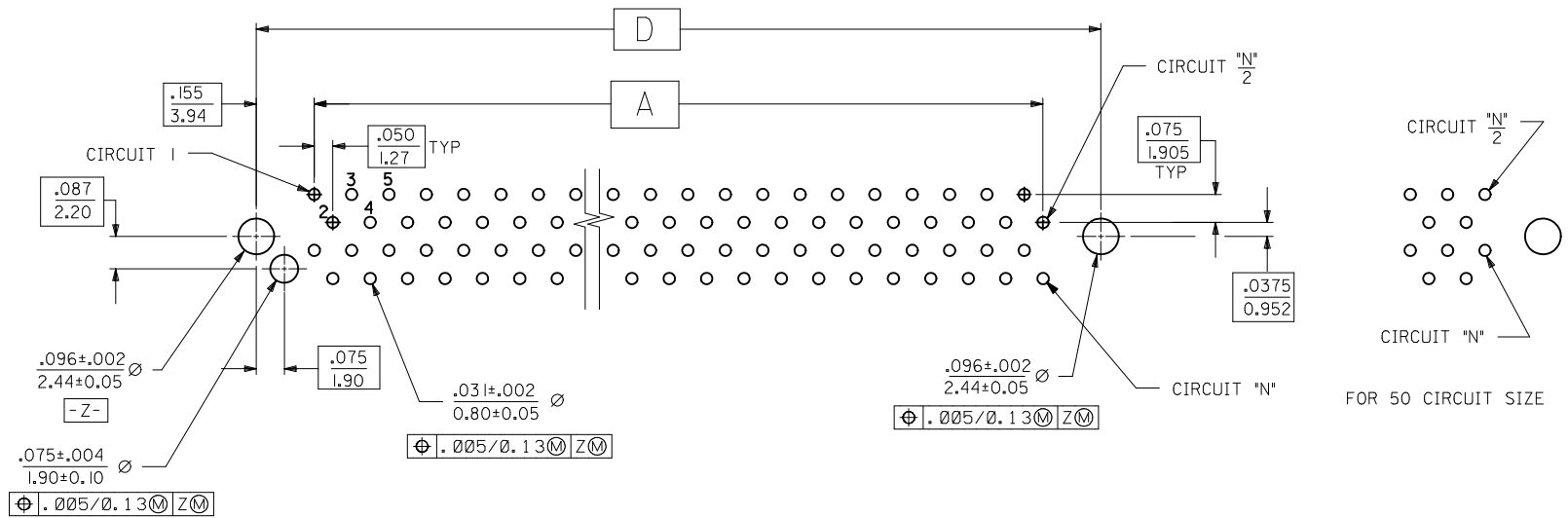
NOTES:

- 1) MATERIALS:
HOUSING- LCP, GLASS FILLED, UL94V-0, BLACK.
TERMINALS- COPPER ALLOY
- 2) FINISHES:
30 MICROINCH (0.72 MICROMETER) MINIMUM GOLD IN THE CONTACT AREA
50 MICROINCH (1.27 MICROMETER) MINIMUM MATTE TIN IN THE TAIL AREA
NICKEL UNDERPLATE OVERALL
- 3 ASSEMBLIES MATE WITH CONNECTORS SHOWN ON MOLEX DRAWING SDA-71661-7***
- 4 SEE TABLE ON SHEET 2 FOR ADVANCED TERMINAL LIST
- 5 FOUR DIGIT DATE CODE (WK YR), EXAMPLE => 26 96
LOCATED IN AREA INDICATED.
- 6 ASSEMBLIES MEET MOLEX PRODUCT SPECIFICATION PS-71660



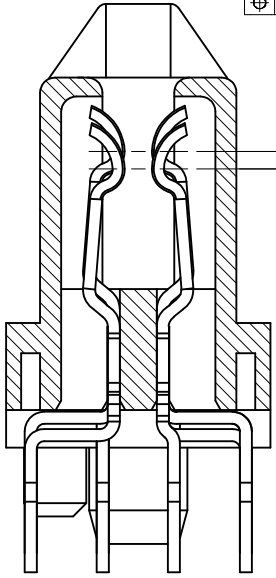
ADD -7502 ASSY EC NO: UCP2011-2137 DRWN:BBARKER 2011/01/18 CHKD:DMORGAN 2011/01/19 APPR:SMILLER 2011/05/09	QUALITY SYMBOLS ∇=0 ∇=0 ∇=0	GENERAL TOLERANCES (UNLESS SPECIFIED)		DIMENSION STYLE IN/MM		SCALE INCH	DESIGN UNITS INCH		THIRD ANGLE PROJECTION		
		4 PLACES ± --- ± --- 3 PLACES ± --- ± --- 2 PLACES ± --- ± --- 1 PLACE ± --- ± ---		DRAWN BY BBARKER		DATE 2011/01/18		TITLE SALES ASSY, EBBI 50D, VERTCL, BLIND MATE RCPT W/ ADVANCE TERMINALS			
		ANGULAR ±1/2°		APPROVED BY SMILLER		DATE 2011/05/09		MOLEX MOLEX INCORPORATED			
		DRAFT WHERE APPLICABLE MUST REMAIN WITHIN DIMENSIONS		MATERIAL NO. SEE TBL SHT 2		DOCUMENT NO. SDA-71660-75**		SHEET NO. 1 OF 2		THIS DRAWING CONTAINS INFORMATION THAT IS PROPRIETARY TO MOLEX INCORPORATED AND SHOULD NOT BE USED WITHOUT WRITTEN PERMISSION	

ITEM NUMBER	CIRCUIT SIZE ("N")	A	B	C	D	E ±.010 (±0.25)	F ±.010 (±0.25)	ADVANCED CIRCUITS
71660-7501	68	1.650 (41.91)	1.765 (44.83)	2.149 (54.58)	1.960 (49.78)	.134 (3.40)	.116 (2.95)	5, 6, 39, 64, 66, 68
71660-7504	40	.950 (24.13)	1.065 (27.05)	1.449 (36.80)	1.260 (32.00)	.128 (3.25)	.110 (2.79)	1, 2, 3, 18, 19, 20
71660-7505	50	1.200 (30.48)	1.315 (33.40)	1.699 (43.15)	1.510 (38.35)	.128 (3.25)	.110 (2.79)	1, 2, 3, 23, 24, 25
71660-7508	80	1.950 (49.53)	2.065 (52.45)	2.449 (62.20)	2.260 (57.40)	.128 (3.25)	.110 (2.79)	1, 36-43, 45, 46, 75-80
71660-7502	68	1.650 (41.91)	1.765 (44.83)	2.149 (54.58)	1.960 (49.78)	.134 (3.40)	.116 (2.95)	5, 6, 68



RECOMMENDED PC BOARD LAYOUT
COMPONENT SIDE

FOR 40, 68 AND 80 CIRCUIT SIZES



HOUSING WALLS BETWEEN TERMINALS
NOT SHOWN FOR CLARITY

SEE SHEET 1 EC NO: UCP2011-2137 DRWN:BBARKER 2011/01/18 CHKD:DMORGAN 2011/01/19 APPR:SMILLER 2011/05/09	QUALITY SYMBOLS ▽=0 ▽=0 ▽=0	GENERAL TOLERANCES (UNLESS SPECIFIED)		DIMENSION STYLE IN/MM		SCALE 1:1	DESIGN UNITS INCH	THIRD ANGLE PROJECTION	
		4 PLACES ± ---	3 PLACES ± ---	2 PLACES ± ---	1 PLACE ± ---	DRAWN BY BBARKER	DATE 2011/01/18	TITLE SALES ASSY, EBBI 50D, VERTCL, BLIND MATE RCPT W/ ADVANCE TERMINALS	
REV K	DESCRIPTION	ANGULAR ±1/2°		APPROVED BY SMILLER		DATE 2011/05/09	MOLEX INCORPORATED		
		DRAFT WHERE APPLICABLE MUST REMAIN WITHIN DIMENSIONS		MATERIAL NO. SEE TABLE		DOCUMENT NO. SDA-71660-75**	SHEET NO. 2 OF 2		
THIS DRAWING CONTAINS INFORMATION THAT IS PROPRIETARY TO MOLEX INCORPORATED AND SHOULD NOT BE USED WITHOUT WRITTEN PERMISSION									

X-ON Electronics

Largest Supplier of Electrical and Electronic Components

Click to view similar products for [molex manufacturer](#):

Other Similar products are found below :

[60506-C-50](#) [73108](#) [72903](#) [1062837003](#) [0533241060](#) [68301-1017](#) [71506-C](#) [880504](#) [387790039](#) [53254-0710](#) [85071-0017](#) [387204903](#)
[783472003](#) [514412093](#) [0026482195](#) [0191310031](#) [503308-4410](#) [02-09-6102](#) [0008650814](#) [791099208](#) [0039000218](#) [89762-1403](#) [89762-1542](#)
[89762-1582](#) [0011404526](#) [00136](#) [0022173102](#) [0026615060](#) [CR4006A30M003](#) [0039532085](#) [58098-0628](#) [0003092041](#) [0008520123](#)
[0011030025](#) [0011184017](#) [0022162060](#) [0022552102](#) [01312](#) [M15730061](#) [61432](#) [6150300002](#) [CS63W64](#) [CS8264N](#) [CS8365N](#) [CS8369](#)
[62201-8780](#) [62500-1774](#) [M37730026](#) [63103-50](#) [63443-2215](#)