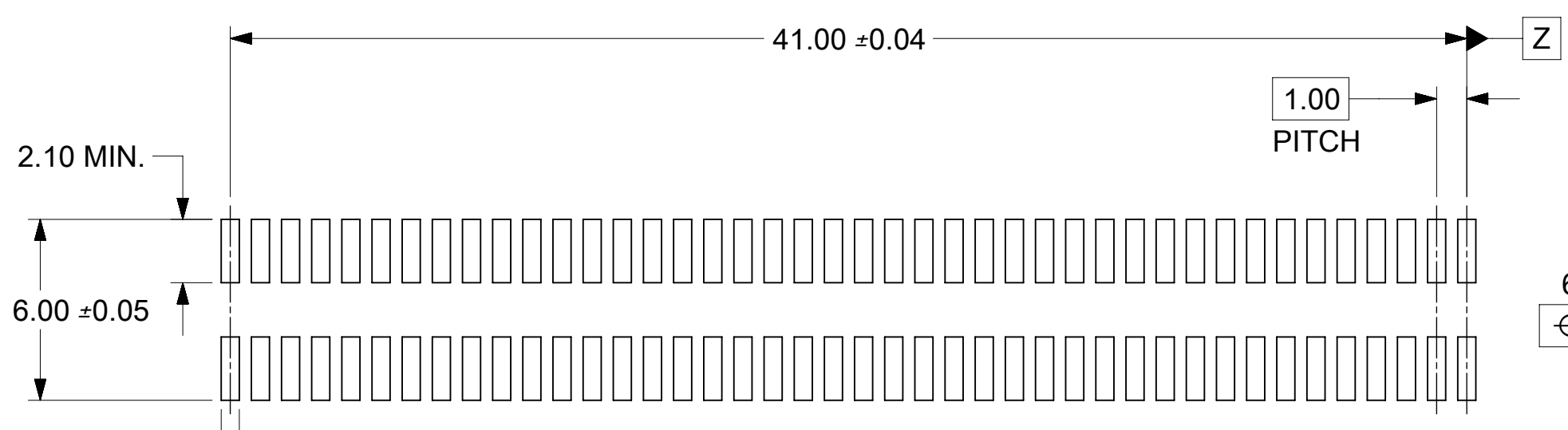
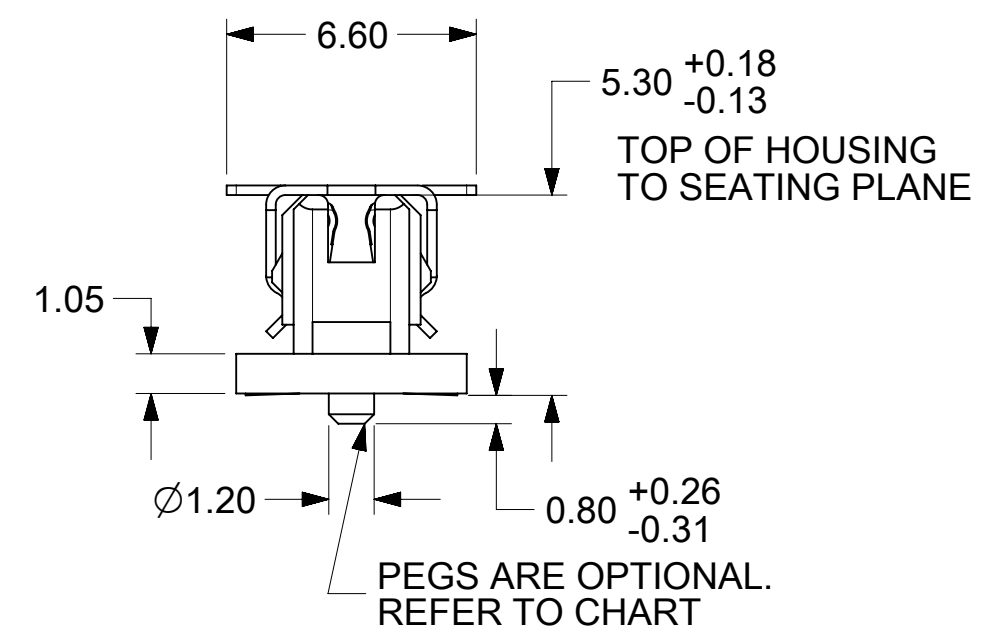
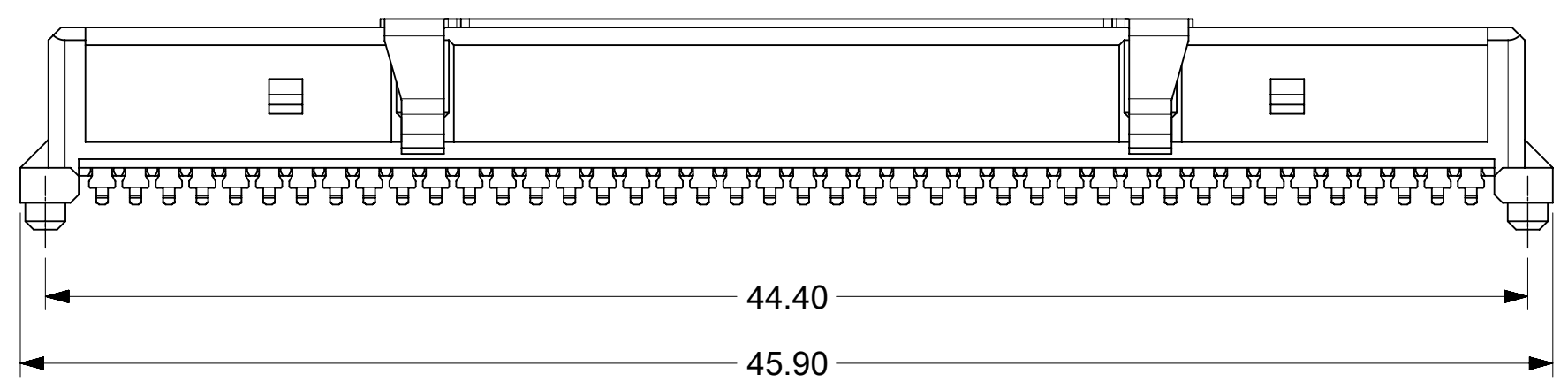
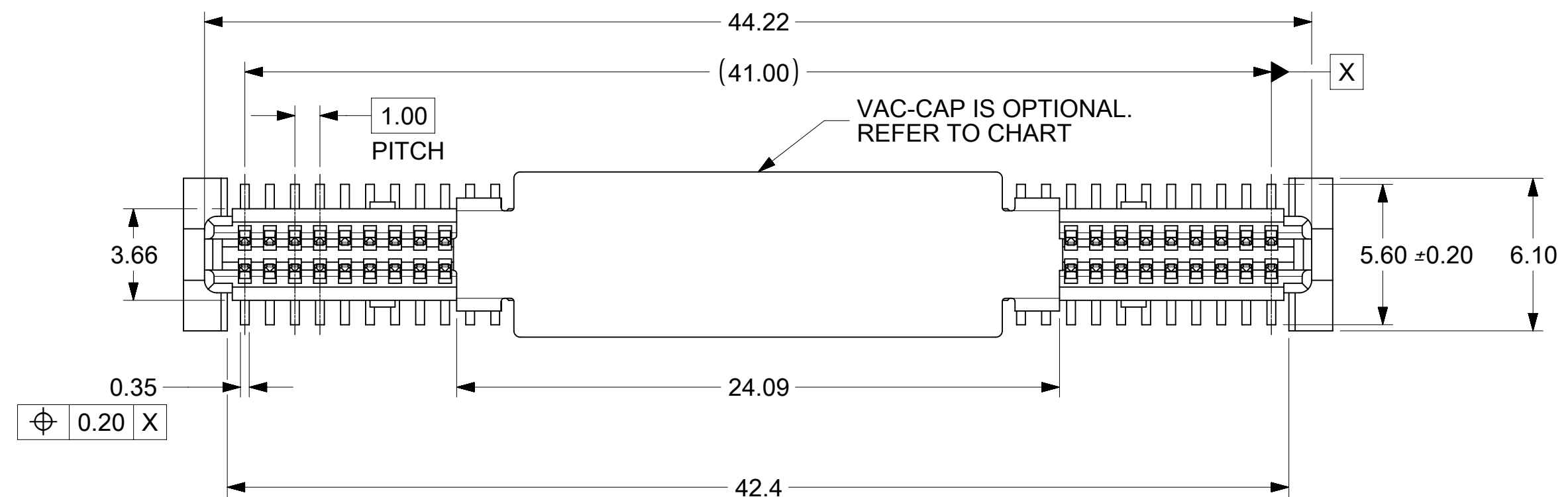
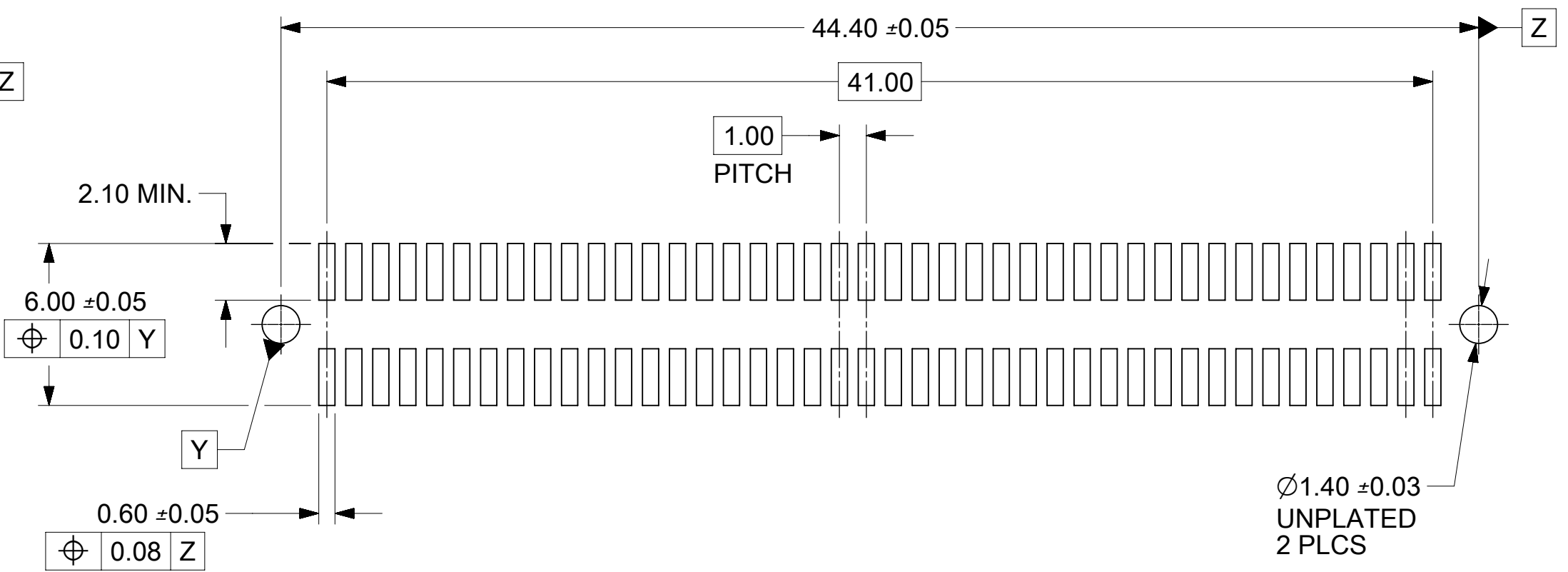


NOTES:

- HOUSING MATERIAL : GLASS FILLED LIQUID CRYSTAL POLYMER (LCP);
UL RATING: 94V-0; COLOR: WHITE
TERMINAL MATERIAL: PHOSPHOR BRONZE
VACUUM CAP MATERIAL: STAINLESS STEEL
- COPLANARITY OF SMT TAILS: 0.10 MAX.
- PACKAGING SPECIFICATION : REFER TO CHART
- THIS PART, WHEN MATED WITH MOLEX U.S.PART NO. 71741-0*** OR MOLEX JAPAN PART NO. 53543-0849, CONFORMS TO MOLEX PRODUCT SPECIFICATION PS-71741-9999.



RECOMMENDED PCB LAYOUT
RECOMMENDED PCB THICKNESS: 1.0±0.1 mm MIN.



RECOMMENDED PCB LAYOUT WITH PEGS
RECOMMENDED PCB THICKNESS: 1.0±0.1 mm MIN.

PLATINGS:

- X21 - .76 MICROMETERS MINIMUM GOLD PLATE IN SELECT AREA, 1.91 MICROMETERS MINIMUM TIN PLATE IN SELECT AREA, OVER NICKEL UNDERPLATE.
- X71 - .25 MICROMETERS MINIMUM GOLD PLATE IN SELECT AREA, 1.02 MICROMETERS MINIMUM TIN PLATE IN SELECT AREA, OVER NICKEL UNDERPLATE.

THIS DRAWING CONTAINS INFORMATION THAT IS PROPRIETARY TO MOLEX ELECTRONIC TECHNOLOGIES, LLC AND SHOULD NOT BE USED WITHOUT WRITTEN PERMISSION									
SYMBOLS		DIMENSION UNITS		SCALE		CURRENT REV DESC: REDRAWN IN NX			
▽ = 0	= 0	mm	5:1	EC NO: 610884 DRWN: TTAO03 2018/12/10 CHK'D: JKACHLIC 2019/02/01 APPR: JKACHLIC 2019/02/01 INITIAL REVISION: DRWN: JRR 95/08/14 APPR: CAB 95/08/14					
▽ = 0	= 0	GENERAL TOLERANCES (UNLESS SPECIFIED)							
▽ = 0	= 0	ANGULAR TOL ± 0.5°							
▽ = 0	= 0	4 PLACES ±							
▽ = 0	= 0	3 PLACES ±							
▽ = 0	= 0	2 PLACES ± 0.18							
▽ = 0	= 0	1 PLACE ± 0.33		DOCUMENT NUMBER		DOC TYPE		DOC PART	
▽ = 0	= 0	DRAFT WHERE APPLICABLE MUST REMAIN WITHIN DIMENSIONS		THIRD ANGLE PROJECTION		DRAWING		SERIES	
▽ = 0	= 0			C-SIZE		71742		MATERIAL NUMBER	
						SEE TABLE		CUSTOMER	
						GENERAL MARKET		SHEET NUMBER	
								1 OF 2	



SALES ASSY, 1.0MM 84 CKT BTB RECEPTACLE CONNECTOR 5.30 STACK HEIGHT

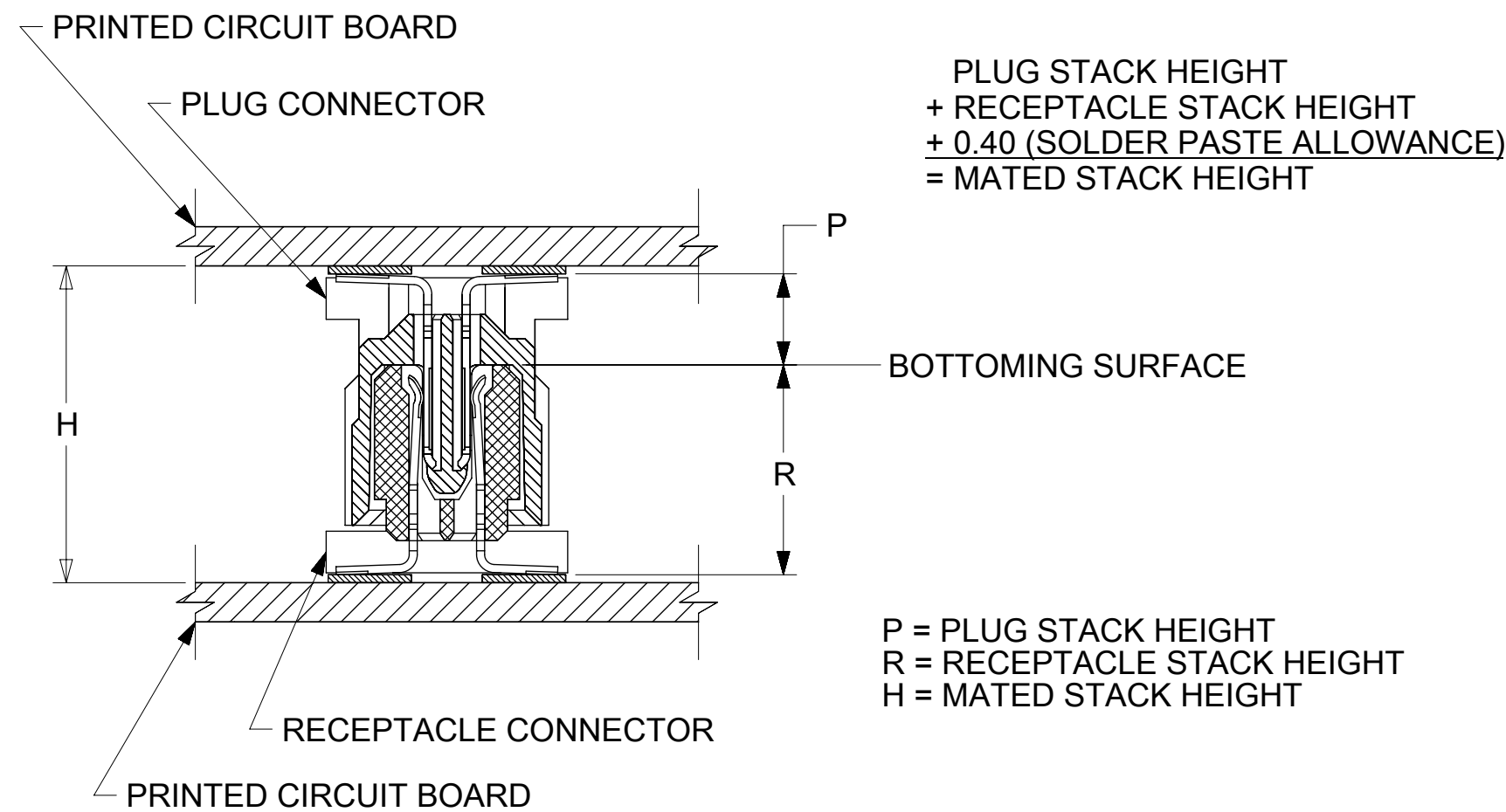
PRODUCT CUSTOMER DRAWING

717420000 PSD 000 A1

MATERIAL NUMBER	PEGS	PICK & PLACE CAP	PACKAGING SPEC. NUMBER	PACKAGING TYPE	TERMINAL PLATING SEE SHEET 1
71742-0006	YES	YES	PK-70873-063	TAPE & REEL	X21
71742-0005	NO	YES	PK-70873-063	TAPE & REEL	X21
71742-0004	YES	NO	PK-70873-013	TUBE	X71
71742-0003	YES	YES	PK-70873-063	TAPE & REEL	X71
71742-0002	NO	NO	PK-70873-015	TUBE	X71
71742-0001	NO	YES	PK-70873-063	TAPE & REEL	X71

RECOMMENDED PLUG/RECEPTACLE COMBINATION FOR
MATED STACK HEIGHT PER EIA STANDARD 700 AAAB

MATED STACK HEIGHT	RECEPTACLE HEIGHT	RECEPTACLE SERIES NO.	PLUG HEIGHT	PLUG SERIES NO.
8.00	5.30	71742-0***	2.30	71741-2***
10.00	5.30	71742-0***	4.30	71741-0***



SYMBOLS		THIS DRAWING CONTAINS INFORMATION THAT IS PROPRIETARY TO MOLEX ELECTRONIC TECHNOLOGIES, LLC AND SHOULD NOT BE USED WITHOUT WRITTEN PERMISSION		
DIMENSION UNITS	SCALE	CURRENT REV DESC: REDRAWN IN NX		
$\nabla = 0$	mm	EC NO: 610884 DRWN: TTAO03 2018/12/10 CHK'D: JKACHLIC 2019/02/01 APPR: JKACHLIC 2019/02/01		
$\nabla = 0$	GENERAL TOLERANCES (UNLESS SPECIFIED)			
$\nabla = 0$	ANGULAR TOL $\pm 0.5^\circ$	INITIAL REVISION: DRWN: JRR 95/08/14 APPR: CAB 95/08/14		
$\nabla = 0$	4 PLACES \pm			
$\nabla = 0$	3 PLACES \pm	DOCUMENT NUMBER: 717420000 DOC TYPE: PSD DOC PART: 000 REVISION: A1		
$\nabla = 0$	2 PLACES ± 0.18			
$\nabla = 0$	1 PLACE ± 0.33	MATERIAL NUMBER: SEE TABLE CUSTOMER: GENERAL MARKET SHEET NUMBER: 2 OF 2		
$\nabla = 0$	0 PLACES \pm			
$\nabla = 0$	DRAFT WHERE APPLICABLE MUST REMAIN WITHIN DIMENSIONS	THIRD ANGLE PROJECTION	DRAWING: C-SIZE	SERIES: 71742

molex

SALES ASSY, 1.0MM 84 CKT BTB
RECEPTACLE CONNECTOR 5.30 STACK HEIGHT

PRODUCT CUSTOMER DRAWING

717420000 PSD 000 A1

SEE TABLE GENERAL MARKET 2 OF 2

X-ON Electronics

Largest Supplier of Electrical and Electronic Components

Click to view similar products for [Board to Board & Mezzanine Connectors](#) category:

Click to view products by [Molex](#) manufacturer:

Other Similar products are found below :

[10135583-642402LF](#) [89885-310LF](#) [589158040000018](#) [6-1393048-0](#) [68683-613](#) [MDF7-12DP-2.54DSA](#) [MDF7-18P-2.54DSA\(01\)](#) [MDF7-20DP-2.54DSA](#) [MDF7-26D-2.54DSA\(55\)](#) [MDF7-3P-2.54DSA\(01\)](#) [MDF7B-3P-2.54DSA\(55\)](#) [MDF7C-11P-2.54DSA\(55\)](#) [MDF7C-18P-2.54DSA\(55\)](#) [MDF7C-5P-2.54DSA\(01\)](#) [MDF7P-5P-2.54DSA\(55\)](#) [75234-0516](#) [FCN-230C068-11](#) [FCN-268F012-G/BD](#) [FCN-268F036-G/BD](#) [FCN-268M012-G/0D](#) [FCN-268M024-G/1D](#) [FCN-360C008-C](#) [FCN-360C040-C](#) [FCN-723J004/1](#) [MIS-048-01-F-D-DP-K](#) [832-10-034-10-001000](#) [93696-325LF](#) [11828-1FA](#) [AXK630345P](#) [18097-0013](#) [ICA-328STT](#) [2007042-2](#) [304400-2](#) [FCN-214Q030-G/0](#) [FCN-215Q040-G/0](#) [FCN-230C068-ESA](#) [FCN-234P048-G/0](#) [FCN-235D050-G/C](#) [FCN-360A3](#) [FCN-360C040-B](#) [210-93-314-41-105000](#) [2-22603-0](#) [379-064-521-202](#) [MDF7-12P-2.54DSA\(01\)](#) [MDF7-16P-2.54DS\(56\)](#) [MDF7-40DP-2.54DSA\(55\)](#) [MDF7-8P-2.54DSA\(55\)](#) [MDF7B-16P-2.54DSA\(55\)](#) [AXG720047](#) [5031084030](#)