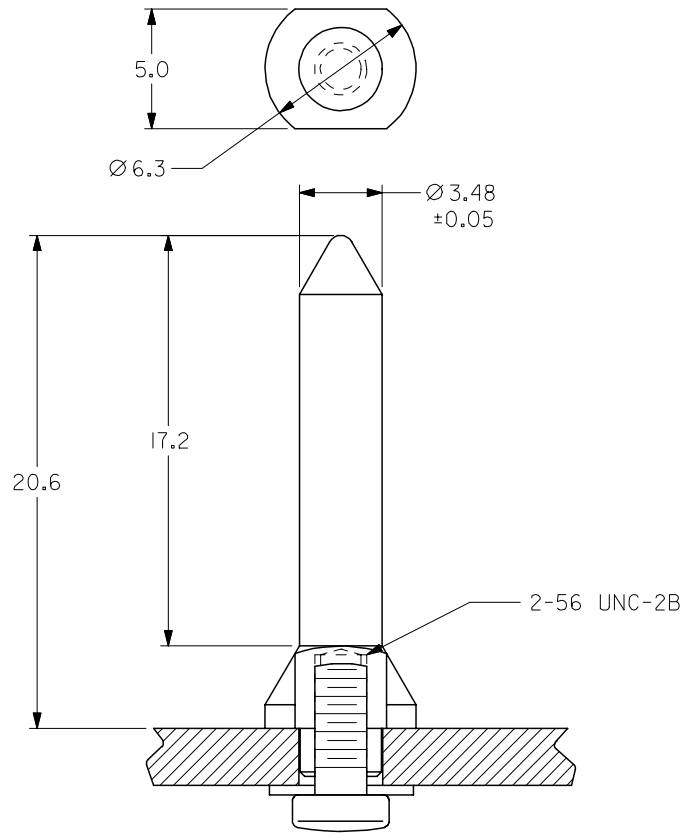
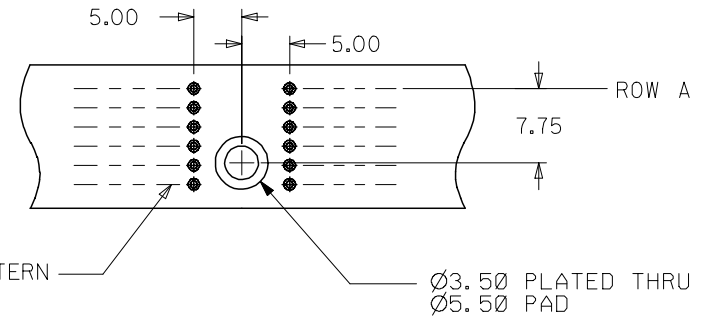


PART NUMBER	DESCRIPTION	SEMS SCREW	BOARD THICKNESS
73962-0000	STAND ALONE POST	NOT SUPPLIED	VARIOUS
73962-1000	KIT: POST w/ SCREW	73774-1000	5.25 - 7.5 mm
73962-2000	KIT: POST w/ SCREW	73774-1015	2.50 - 5.25 mm

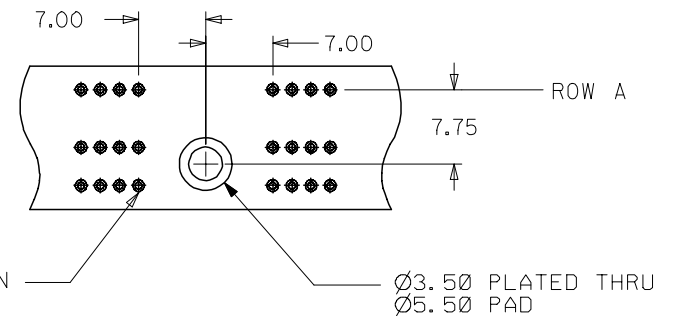


- NOTES:
1. MATERIAL: STAINLESS STEEL
  2. FINISH: PASSIVATE
  3. THIS PART CONFORMS TO MOLEX PRODUCT SPECIFICATION PS-73670-9999
  4. PARTS ARE BULK PACKED

BACKPLANE SIGNAL HOLE PATTERN  
SCALE 2:1



BACKPLANE POWER HOLE PATTERN  
SCALE 2:1



REV	DESCRIPTION	QUALITY SYMBOLS	GENERAL TOLERANCES (UNLESS SPECIFIED)		DIMENSION STYLE		SCALE	DESIGN UNITS	THIRD ANGLE PROJECTION		
			mm	INCH	MM ONLY	5:1	METRIC				
CHGD	SEMS SCREW		4 PLACES	$\pm 0.25$	$\pm 0.010$	DRAWN BY	DATE	TITLE	HDM BACKPLANE MODULE GUIDE POST SALES ASSEMBLY		
EC NO:	UCP2005-1565	$\nabla=0$	3 PLACES	$\pm 0.13$	$\pm 0.005$	JJONIAK	2005/09/29	MOLEX		MOLEX INCORPORATED	
DRW:	JJONIAK 2005/10/06	$\nabla=0$	2 PLACES	$\pm 0.13$	$\pm 0.005$	CHECKED BY	DATE	SD-73962-002			SHEET NO. 1 OF 1
CHKD:	JJONIAK 2005/10/07		1 PLACE	$\pm 0.25$	$\pm 0.010$	JJONIAK	2005/09/29				
APPR:	SPEED 2005/10/07		ANGULAR $\pm 1/2^\circ$		APPROVED BY		DATE				
			DRAFT WHERE APPLICABLE MUST REMAIN WITHIN DIMENSIONS		MATERIAL NO.		DOCUMENT NO.				
					SEE CHART						
					SIZE B		THIS DRAWING CONTAINS INFORMATION THAT IS PROPRIETARY TO MOLEX INCORPORATED AND SHOULD NOT BE USED WITHOUT WRITTEN PERMISSION				

## X-ON Electronics

Largest Supplier of Electrical and Electronic Components

*Click to view similar products for [High Speed/Modular Connectors](#) category:*

*Click to view products by [Molex](#) manufacturer:*

Other Similar products are found below :

[2332816-1](#) [89006-1137LF](#) [650827-1](#) [65762-001LF](#) [73474-201LF](#) [74040-1346](#) [74075-0267](#) [1410191-1](#) [1410337-1](#) [1410368-3](#) [1410964-2](#)  
[1410367-3](#) [1410971-4](#) [1467833-1](#) [2000877-1](#) [2000878-1](#) [2041314-1](#) [2065387-1](#) [2187307-1](#) [2187462-1](#) [2226278-6](#) [KA81-07](#) [91290-101LF](#)  
[163P](#) [1934290-1](#) [2000875-1](#) [2065917-1](#) [2102736-2](#) [FSR-40](#) [2169868-2](#) [2226279-2](#) [22354-8](#) [437-5040-000](#) [5-1393565-0](#) [532449-3](#) [532803-](#)  
[2](#) [34745-0001](#) [0736440217](#) [1-1393708-5](#) [72388-0021LF](#) [73774-1000](#) [532939-1](#) [5-531355-3](#) [5532901-3](#) [85838-180LF](#)  
[HM1S43TRR460H6PLF](#) [0760205010](#) [1-966831-4](#) [3-1469268-7](#) [77427-121LF](#)