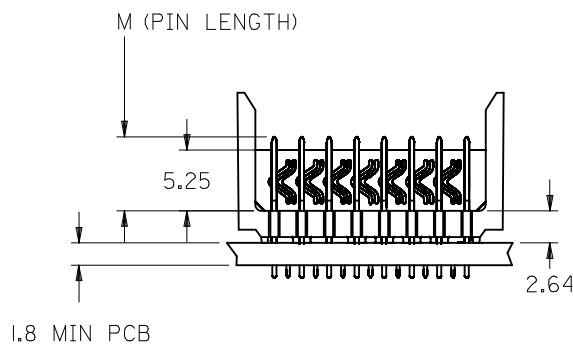
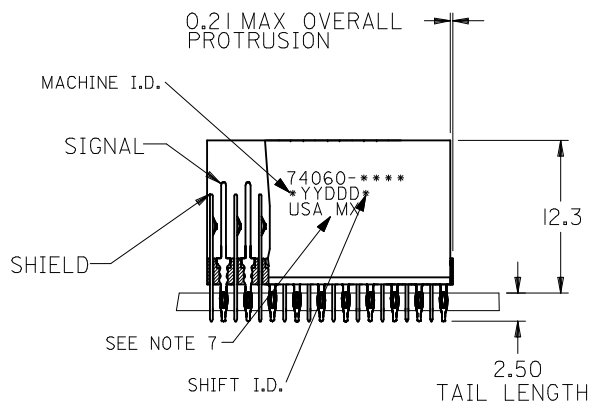


BACKPLANE HOLE PATTERN
RECOMMENDED DIMENSION

NOTES:

- MATERIALS:
HOUSING - LIQUID CRYSTAL POLYMER (LCP),
GLASS-FILLED, UL 94V-0, COLOR: BLACK
SIGNAL PIN & SHIELD - COPPER ALLOY
- FINISHES:
CONTACT AREA: SELECTIVE GOLD (Au)
PCB TAILS: SELECTIVE MATTE TIN (Sn)
NICKEL (Ni) OVERALL.
- THIS PART CONFORMS TO MOLEX PRODUCT SPECIFICATION PS-74031-999
- FOR MIXED CONTACT LENGTHS CONSULT MOLEX FOR AVAILABILITY
- FOR SPECIFIC MATERIAL NUMBERS & MATING INFORMATION REFER TO SHEET 2
- PACKAGE PER PK-74060-003
- EITHER MARK PART WITH PART NUMBER & DATE CODE APPROXIMATELY WHERE SHOWN OR PLACE LABEL ON THE TUBE.
- MAPS (MOLEX ADVANCED PLATING SYSTEM)



REV. ASSIGNMENT TABLE EC NO: UCP2014-3396 DRWNS:VANG01 2014/02/14 CHKCD:MWOLFE 2014/02/14 APPR:SMILLER 2014/09/07 M	DESCRIPTION QUALITY SYMBOLS $\nabla=0$ $\nabla=0$ $\nabla=0$	GENERAL TOLERANCES (UNLESS SPECIFIED)		DIMENSION STYLE MM ONLY		SCALE 2.5:1	DESIGN UNITS METRIC	THIRD ANGLE PROJECTION	
			mm	INCH	DRAWN BY MWANG	DATE 1998/11/09	VHDM 8 ROW OPEN END BACKPLANE SALES ASSEMBLY 		
		4 PLACES ± --- ± ---			CHECKED BY JLAUR	DATE 1998/11/09			
			INCH	mm	APPROVED BY SMILLER	DATE 2012/09/07	MATERIAL NO. SEE SHT.2	DOCUMENT NO. SD-74060-002	SHEET NO. 1 OF 2
		ANGULAR ±1/2°		DRAFT WHERE APPLICABLE MUST REMAIN WITHIN DIMENSIONS		THIS DRAWING CONTAINS INFORMATION THAT IS PROPRIETARY TO MOLEX INCORPORATED AND SHOULD NOT BE USED WITHOUT WRITTEN PERMISSION			

MATERIAL NUMBER ASSIGNMENT

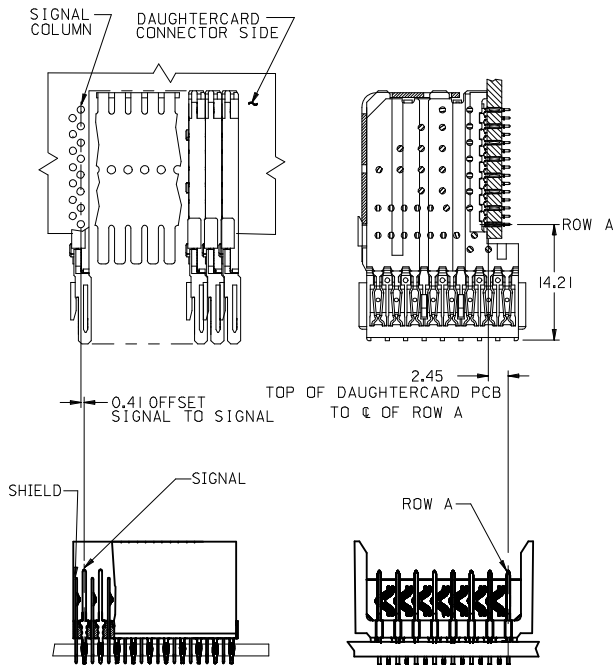
74060-** 0*

PIN HEIGHT / PLATING
 1-4 = 0.25 or 0.76 GOLD
 6-9 = 1.27 GOLD

1 & 6 = 4.75
 2 & 7 = 6.25
 3 & 8 = 4.25
 4 & 9 = 5.15

NUMBER OF COLUMNS/PLATING

10 = 10 COLUMN MATTE TIN (FORMERLY TIN/LEAD)
 25 = 25 COLUMN MATTE TIN (FORMERLY TIN/LEAD)
 60 = 10 COLUMN MATTE TIN (MAPS)
 75 = 25 COLUMN MATTE TIN (MAPS)
 90 = 10 COLUMN MATTE TIN
 85 = 25 COLUMN MATTE TIN



PART NUMBER	COLUMN	NUMBER OF SIGNAL PIN	NUMBER OF SHIELD	A	B	M	GOLD THICKNESS MICROMETER	TIN THICKNESS MICROMETER	
74060-6001							0.25 MAPS		
74060-*001	10	80	10	20.00	18.00	4.75	0.76	0.76-152	
74060-*006							1.27		
74060-7501							0.25 MAPS		
74060-*501	25	200	25	50.00	48.00		0.76		
74060-*506							1.27		
74060-6002						6.25	0.25 MAPS		
74060-*002	10	80	10	20.00	18.00				0.76
74060-*007									1.27
74060-7502						4.25	0.25 MAPS		
74060-*502	25	200	25	50.00	48.00				0.76
74060-*507									1.27
74060-6003						5.15	0.25 MAPS		
74060-*003	10	80	10	20.00	18.00			0.76	
74060-*008								1.27	
74060-7503						4.75	0.25 MAPS		
74060-*503	25	200	25	50.00	48.00			0.76	
74060-*508								1.27	
74060-6004						6.25	0.25 MAPS		
74060-*004	10	80	10	20.00	18.00			0.76	
74060-*009								1.27	
74060-7504						4.25	0.25 MAPS		
74060-*504	25	200	25	50.00	48.00			0.76	
74060-*509								1.27	

SEE SHEET 1 EC NO: UCP2014-3396 DRWN: SVANG01 2014/02/14 CHKD: MWOLFE 2012/11/30 APPR: SMILLER 2014/02/25 M	QUALITY SYMBOLS ▽ E=0 ▽ E=0 ▽ E=0	GENERAL TOLERANCES (UNLESS SPECIFIED)		DIMENSION STYLE MM ONLY	SCALE 2.5:1	DESIGN UNITS METRIC	THIRD ANGLE PROJECTION		
		4 PLACES ± --- ± --- 3 PLACES ± --- ± --- 2 PLACES ± 0.25 ± --- 1 PLACE ± 0.38 ± --- 0 PLACE ± --- ± ---	mm INCH ± --- ± --- ± 0.25 ± --- ± 0.38 ± --- ± --- ± ---	DRAWN BY DATE MWANG 1998/11/09	CHECKED BY DATE JLAURX 1998/11/09	TITLE VHDM 8 ROW OPEN END BACKPLANE SALES ASSEMBLY			
		ANGULAR ± 1/2° DRAFT WHERE APPLICABLE MUST REMAIN WITHIN DIMENSIONS		APPROVED BY DATE SMILLER 2012/09/07	MATERIAL NO. SEE TABLE		DOCUMENT NO. SD-74060-002	SHEET NO. 2 OF 2	
		THIS DRAWING CONTAINS INFORMATION THAT IS PROPRIETARY TO MOLEX INCORPORATED AND SHOULD NOT BE USED WITHOUT WRITTEN PERMISSION							

X-ON Electronics

Largest Supplier of Electrical and Electronic Components

Click to view similar products for [molex manufacturer](#):

Other Similar products are found below :

[60506-C-50](#) [73108](#) [72903](#) [1062837003](#) [0533241060](#) [68301-1017](#) [71506-C](#) [880504](#) [387790039](#) [53254-0710](#) [85071-0017](#) [387204903](#)
[783472003](#) [514412093](#) [0026482195](#) [0191310031](#) [503308-4410](#) [02-09-6102](#) [0008650814](#) [791099208](#) [0039000218](#) [89762-1403](#) [89762-1542](#)
[89762-1582](#) [0011404526](#) [00136](#) [0022173102](#) [0026615060](#) [CR4006A30M003](#) [0039532085](#) [58098-0628](#) [0003092041](#) [0008520123](#)
[0011030025](#) [0011184017](#) [0022162060](#) [0022552102](#) [01312](#) [M15730061](#) [61432](#) [6150300002](#) [CS63W64](#) [CS8264N](#) [CS8365N](#) [CS8369](#)
[62201-8780](#) [62500-1774](#) [M37730026](#) [63103-50](#) [63443-2215](#)