

PLEASE CHECK WWW.MOLEX.COM FOR LATEST PART INFORMATION

Part Number: [0740628502](#)
Status: **Active**
Overview: VHDM Backplane Connector Systems
Description: 2.00mm Pitch VHDM Single-Ended Board-to-Board Backplane Header, Vertical, 8 Rows, Guide Pin Signal Module, Shield End Version, Lead-Free, 200 Circuits, 25 Columns, Pin Length 6.25mm

Documents:

[Drawing \(PDF\)](#) [RoHS Certificate of Compliance \(PDF\)](#)
[Packaging Specification PK-74061-003 \(PDF\)](#)

Agency Certification

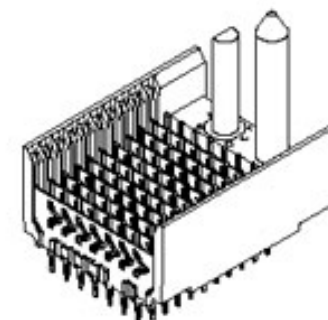
CSA LR19980

General

Product Family Backplane Connectors
 Series [74062](#)
 Application Backplane
 Application Tooling Documents TM-622010999
 Comments No Keying Position
 Component Type PCB Header
 Overview [VHDM Backplane Connector Systems](#)
 Product Name VHDM
 UPC 822350711869

Physical

Circuits (Loaded) 200
 Circuits (maximum) 200
 Color - Resin Black
 Durability (mating cycles max) 200
 First Mate / Last Break No
 Flammability 94V-0
 Guide to Mating Part Yes
 Keying to Mating Part None
 Material - Metal Beryllium Copper, High Performance Alloy (HPA), Stainless Steel
 Material - Plating Mating Gold
 Material - Plating Termination Matte Tin
 Material - Resin High Temperature Thermoplastic
 Net Weight 17.520/g
 Number of Columns 25
 Number of Pairs Open Pin Field
 Number of Rows 8
 Orientation Vertical
 PC Tail Length 2.50mm
 PCB Locator No
 PCB Retention None
 PCB Thickness - Recommended 1.80mm
 Packaging Type Tube
 Pitch - Mating Interface 2.00mm
 Pitch - Termination Interface 1.00mm
 Plating min - Mating 0.762µm
 Plating min - Termination 0.762µm
 Polarized to PCB Yes
 Surface Mount Compatible (SMC) Yes
 Temperature Range - Operating -55° to +105°C
 Termination Interface: Style Through Hole - Compliant Pin



Series image - Reference only

EU ELV

Not Relevant

EU RoHS

Compliant

REACH SVHC

Not Contained Per -
 ECHA_01_2020 (16
 January 2020

Halogen-Free

Status

Low-Halogen

For more information, please visit [Contact US](#)

China ROHS

ELV

RoHS Phthalates

Green Image

Not Relevant

Not Contained

China RoHS

Search Parts in this Series

[74062](#) Series

Mates With

[74040](#) VHDM Board-to-Board Daughtercard Receptacle

Application Tooling | FAQ

Tooling specifications and manuals are found by selecting the products below. Crimp Height Specifications are then contained in the Application Tooling Specification document.

Global

Description	Product #
Signal Pin Inserter	622015700
Repair Tool	
8-Row Pin and	622015900
Shield Repair Tool	
8-Row Shield	622016100
Extraction Tool	
Insertion Module	622020206
for Advanced Mate	
Signal Header, 8-Row by 25-Wide	

Electrical

Current - Maximum per Contact	3.0A
Data Rate	3.125 Gbps
Shield Type	Ground Plane Shield
Shielded	Yes
Voltage - Maximum	120V AC (RMS)/DC

Solder Process Data

Lead-free Process Capability	N/A
------------------------------	-----

Material Info**Reference - Drawing Numbers**

Packaging Specification	PK-74061-003
Sales Drawing	SD-74062-002

Insertion Module	<u>622020210</u>
for Standard Shield	
Signal Header, 8-	
Row by 25-Wide,	
50.00mm	

This document was generated on 03/30/2020

PLEASE CHECK WWW.MOLEX.COM FOR LATEST PART INFORMATION

X-ON Electronics

Largest Supplier of Electrical and Electronic Components

Click to view similar products for [High Speed/Modular Connectors](#) category:

Click to view products by [Molex](#) manufacturer:

Other Similar products are found below :

[2332816-1](#) [89006-1137LF](#) [650827-1](#) [65762-001LF](#) [73474-201LF](#) [74040-1346](#) [74075-0267](#) [88911-201LF](#) [9514M0C20D](#) [1410191-1](#)
[1410337-1](#) [1410368-3](#) [1410964-2](#) [1410326-3](#) [1410367-3](#) [1410971-4](#) [1467833-1](#) [2000877-1](#) [2000878-1](#) [2041314-1](#) [2065387-1](#) [2187307-1](#)
[2187462-1](#) [2226278-6](#) [KA81-07](#) [91290-101LF](#) [1934290-1](#) [2000875-1](#) [2065917-1](#) [2102736-2](#) [FSR-40](#) [2169868-2](#) [2226279-2](#) [22354-8](#) [437-](#)
[5040-000](#) [5-1393565-0](#) [532449-3](#) [532803-2](#) [34745-0001](#) [0740618502](#) [0760151403](#) [0760551105](#) [0760551608](#) [0761451128](#) [0761651124](#)
[0761655108](#) [0761659807](#) [0769853208](#) [0736440217](#) [0758324203](#)