

PLEASE CHECK WWW.MOLEX.COM FOR LATEST PART INFORMATION

Part Number: [0746969002](#)

Status: **Active**

Overview: VHDM-HSD™ Backplane Connectors

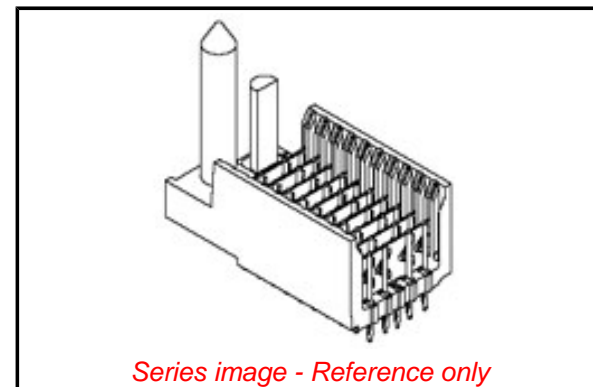
Description: VHDM-HSD™ Backplane Header, 2.00mm Pitch, 5-Row, Guide Pin Signal Module, Pin End Version, 40 Circuits, Pin Length 6.25mm, Series:74702 Enables designers to create custom loaded connectors utilizing standard pin lengths 4.25, 4.75, 5.15 and 6.25mm

Documents:

[Drawing \(PDF\)](#)

[RoHS Certificate of Compliance \(PDF\)](#)

[Packaging Specification PK-74696-003 \(PDF\)](#)



Series image - Reference only

Agency Certification

CSA	LR19980
UL	E29179

General

Product Family	Backplane Connectors
Series	74696
Application	Backplane
Application Tooling Documents	TM-622010999
Comments	No Keying Orientation
Component Type	PCB Header
Overview	VHDM-HSD™ Backplane Connectors
Product Name	VHDM-HSD™
UPC	822350233620

Physical

Circuits (Loaded)	40
Circuits (maximum)	40
Color - Resin	Black
Durability (mating cycles max)	200
First Mate / Last Break	No
Flammability	94V-0
Guide to Mating Part	Yes
Keying to Mating Part	None
Material - Metal	High Performance Alloy (HPA), Stainless Steel
Material - Plating Mating	Gold
Material - Plating Termination	Matte Tin
Material - Resin	High Temperature Thermoplastic
Net Weight	6.167/g
Number of Columns	10
Number of Pairs	Open Pin Field
Number of Rows	5
Orientation	Vertical
PC Tail Length	2.50mm
PCB Locator	No
PCB Retention	None
PCB Thickness - Recommended	1.80mm
Packaging Type	Tube
Pitch - Mating Interface	2.00mm
Pitch - Termination Interface	2.00mm
Plating min - Mating	0.762µm
Plating min - Termination	0.762µm
Polarized to PCB	Yes
Surface Mount Compatible (SMC)	Yes
Temperature Range - Operating	-55°C to +105°C

EU ELV

Not Relevant

EU RoHS

Compliant

China RoHS

REACH SVHC

Not Contained Per - ED/21/2016 (20 June 2016)

Halogen-Free

Status

Low-Halogen

Need more information on product environmental compliance?

Email productcompliance@molex.com
Please visit the [Contact Us](#) section for any non-product compliance questions.

China ROHS

Green Image

ELV

Not Relevant

Search Parts in this Series

[74696 Series](#)

Mates With

[74670 VHDM-HSD™ Daughtercard](#)

Application Tooling | FAQ

Tooling specifications and manuals are found by selecting the products below. Crimp Height Specifications are then contained in the Application Tooling Specification document.

Global

Description	Product #
Signal Header, 5-Row by 10-Wide, 20.00mm	0622020201
Signal Pin Inserter Repair Tool	0622015700

Termination Interface: Style Through Hole - Compliant Pin

Electrical

Current - Maximum per Contact 1.0A
Data Rate 5.0 Gbps
Shield Type Ground Plane Shield
Shielded Yes
Voltage - Maximum 120V AC (RMS)/DC

Solder Process Data

Lead-freeProcess Capability N/A

Material Info

Reference - Drawing Numbers

Packaging Specification PK-74696-003
Sales Drawing SD-74696-002

Note: HDM, HDM+, VHDM, VHDM-HSD and GbX are trademarks or registered trademarks of Amphenol TCS.

This document was generated on 07/11/2016

PLEASE CHECK WWW.MOLEX.COM FOR LATEST PART INFORMATION

X-ON Electronics

Largest Supplier of Electrical and Electronic Components

Click to view similar products for [DIN 41612 Connectors](#) category:

Click to view products by [Molex](#) manufacturer:

Other Similar products are found below :

[09231126901](#) [PCN10F-24P-2.54DS\(72\)](#) [004.767](#) [02221602702](#) [024069](#) [602427301412000](#) [013275](#) [691327-1](#) [74670-0732](#) [74680-0340](#)
[75880-0015](#) [76453-0014](#) [86093159ALF](#) [923454](#) [QLC260R](#) [120X10099X](#) [120X10019X](#) [120X10089X](#) [120X10129X](#) [121A10039X](#)
[121A10309X](#) [122A10019X](#) [122A10029X](#) [122A10249X](#) [122A10669X](#) [122A11089X](#) [122A13089X](#) [122A10089X](#) [122A10129X](#)
[122A10349X](#) [122A13359X](#) [1377391-4](#) [DIN-048CPC-SR1-MH](#) [1393583-2](#) [1393726-7](#) [140X10059X](#) [140X10129X](#) [143-1913-000](#) [143-1908-](#)
[000](#) [1484472-1](#) [173052](#) [2110070-1](#) [2110070-2](#) [CBC20T00-008FDS5-0-1-002VR](#) [983-0SE12-12P6](#) [17041102202](#) [172699-5036](#) [173051](#) [20](#)
[8457096](#) [010](#) [025](#) [208458096005133](#)