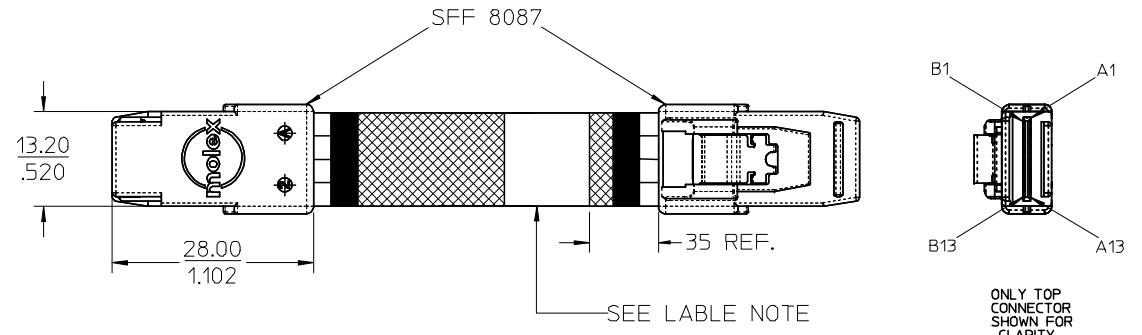
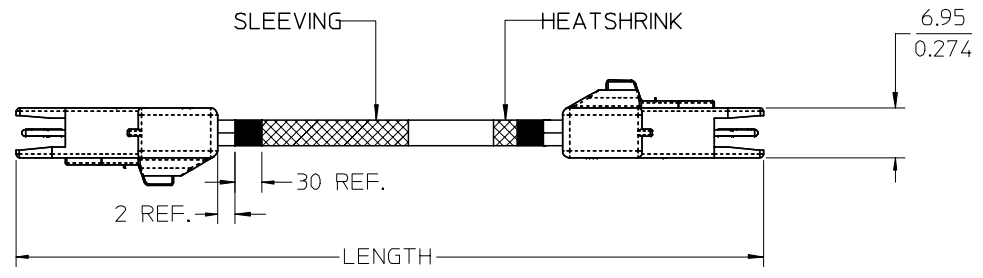


NOTES:

- MATERIAL:
  - OVER MOLD - POLYBUTYLENE TEREPHTHALATE (PBT), 94-V0.
  - GLASS FILLED 30%.
  - LATCH - STAINLESS STEEL ALLOY.
  - CABLE -
    - SIGNALS PVC INSULATION
    - SOLID COPPER SIGNAL AND DRAIN
    - INNER DIELECTRIC IS POLYOLEFIN
    - TWIN-AX SHIELD IS ALUMINIZED POLYESTER FOIL.
    - JACKET - PVC RED
  - PCB - FR4
- PRODUCT TO PERFORM PER  
PRODUCT SPECIFICATION: PS-79536-001.
- PACKAGING: BULK PACK PER PK-79536-XXX.
- PRODUCT MATES TO 75783 (RIGHT ANGLE) AND 75784 (VERTICAL) SERIES.
- THIS PRODUCT CONFORMS TO THE MECHANICAL DIMENSIONING AND ELECTRICAL PERFORMANCE REQUIREMENTS OF SFF-8086 AND SFF-8087.
- MINIMUM RECOMMENDED RADIUS 28 MM.
- PRODUCT IS RoHS COMPLIANT.
- LENGTHS OVER 1 METER ARE NOT COMPLIANT WITH SAS 1.1 09E SPECIFICATION.
- LABEL INFO  
MOLEX  
<<PART NUMBER>>  
MADE IN CHINA  
WW/YY



MATERIAL #	AWG	LENGTH(M)	TOL (+/-)
79575-2000	30	0.152	0.015
79575-2001	30	0.300	0.015
79575-2002	30	0.500	0.015
79575-2003	30	0.600	0.015
79575-2004	28	1.000	0.030
79575-2005	28	2.000	0.030

ENTER DESCRIPTION EC NO: USY2006-0236 TDRW:KPHILLIPS 2006/02/01 CHKD:T.HALL 2006/02/01 APPR:DDOYE 2006/02/07	QUALITY SYMBOLS ▽=0 ▽=0	GENERAL TOLERANCES (UNLESS SPECIFIED)		DIMENSION STYLE MM/IN		SCALE 1:1	DESIGN UNITS METRIC	THIRD ANGLE PROJECTION
		4 PLACES ± --- ± ---	DRAWN BY JERWIN	DATE 2005/10/27	TITLE IPASS (MINI-SAS) INTERNAL CABLE 26 CKT, 4X			
		3 PLACES ± --- ± .010	CHECKED BY THALL	DATE 2005/10/27	MOLEX INCORPORATED			
		2 PLACES ± 0.25 ± --- 1 PLACE ± --- ± --- ANGULAR ±1/2°	APPROVED BY DDOYE	DATE 2005/10/27	MATERIAL NO. SEE CHART	DOCUMENT NO. SD-79575-200	SHEET NO. 1 OF 2	
DRAFT WHERE APPLICABLE MUST REMAIN WITHIN DIMENSIONS		THIS DRAWING CONTAINS INFORMATION THAT IS PROPRIETARY TO MOLEX INCORPORATED AND SHOULD NOT BE USED WITHOUT WRITTEN PERMISSION						

IPASS™ IS A TRADEMARK OF MOLEX

6

5

4

3

2

1

D

C

B

A

D

C

B

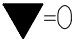
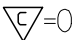
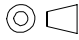

A

GROUND	B13		A13	GROUND
TX3-	B12	▶	A12	RX3-
TX3+	B11	▶	A11	RX3+
GROUND	B10		A10	GROUND
TX2-	B9	▶	A9	RX2-
TX2+	B8	▶	A8	RX2+
GROUND	B7		A7	GROUND
TX1-	B6	▶	A6	RX1-
TX1+	B5	▶	A5	RX1+
GROUND	B4		A4	GROUND
TX0-	B3	▶	A3	RX0-
TX0+	B2	▶	A2	RX0+
GROUND	B1		A1	GROUND
GROUND	A13		B13	GROUND
RX3-	A12	◀	B12	TX3-
RX3+	A11	◀	B11	TX3+
GROUND	A10		B10	GROUND
RX2-	A9	◀	B9	TX2-
RX2+	A8	◀	B8	TX2+
GROUND	A7		B7	GROUND
RX1-	A6	◀	B6	TX1-
RX1+	A5	◀	B5	TX1+
GROUND	A4		B4	GROUND
RX0-	A3	◀	B3	TX0-
RX0+	A2	◀	B2	TX0+
GROUND	A1		B1	GROUND

## NOTE:

- PIN OUT CONFORMS TO SAS 1.1 9.0D SECTION 5.2.4.1.2.3
- ALL SIGNAL GROUNDS ARE BUSSED IN PCB. PINS A1, A13, B1, & B13 DO NOT HAVE CORRESPONDING SOLDER PADS.

IPASS™ IS A TRADEMARK OF MOLEX

INITIAL RELEASE EC NO: USY2006-0236 DRWN:KPHILLIPS 2006/02/01 CHKD:T.HALL 2006/02/01 APPR:DDOYE 2006/02/07	QUALITY SYMBOLS  =0  =0	GENERAL TOLERANCES (UNLESS SPECIFIED)		DIMENSION STYLE MM/IN		SCALE 1:1	DESIGN UNITS METRIC	 THIRD ANGLE PROJECTION		
			mm	INCH	DRAWN BY JERWIN	DATE 2005/10/27	TITLE IPASS™ (MINI-SAS) INTERNAL CABLE 26 CKT, 4X			
		4 PLACES	± ---	± ---	CHECKED BY THALL	DATE 2005/10/27				
		3 PLACES	± ---	± .010	APPROVED BY DDOYE		DATE 2005/10/27	 MOLEX INCORPORATED		
2 PLACES	± 0.25	± ---	MATERIAL NO. SEE CHART		DOCUMENT NO. SD-79575-200	SHEET NO. 2 OF 2				
1 PLACE	± ---	± ---	DRAFT WHERE APPLICABLE MUST REMAIN WITHIN DIMENSIONS		THIS DRAWING CONTAINS INFORMATION THAT IS PROPRIETARY TO MOLEX INCORPORATED AND SHOULD NOT BE USED WITHOUT WRITTEN PERMISSION					
ANGULAR ±1/2°										

5

4

3

2

1

## X-ON Electronics

Largest Supplier of Electrical and Electronic Components

*Click to view similar products for [Computer Cables](#) category:*

*Click to view products by [Molex](#) manufacturer:*

Other Similar products are found below :

[68809-0004](#) [8F36-AAA105-1.00](#) [IB63](#) [CB-716EB-RS](#) [CB-716P8P9-RS](#) [CBK-11-290K-00](#) [ACL-10550](#) [ACL-10568-2](#) [ACL-10568-5](#)  
[427522400-3](#) [32102-021500-200-RS](#) [426091300-3](#) [48000023](#) [10114976-P015002LF](#) [88761-6101](#) [NT631C-CN321-EU](#) [ACL-10568NF-1](#)  
[MIKROE-2092](#) [PCL-101100R-2E](#) [1700009405](#) [PS/2 Cable](#) [NT31C-CN323-EU](#) [FWAX-PK1-51](#) [PCL-10168H-1E](#) [68801-1905](#) [111068-1015](#)  
[100436-1107](#) [68801-0630](#) [68801-3612](#) [68801-3618](#) [205058-1002](#) [PS2NK](#) [SATA cable](#) [96021-0000-00-0](#) [FAK-SMZSMZ 5M](#) [FAK-](#)  
[SMZSMZ-3M](#) [ACC-500-200-R](#) [iW-C40-PCIe08-C1](#) [1700001531](#) [96048-0000-00-0](#) [SATA III cable 30cm, down/straight](#) [cab-Pico-ITX-](#)  
[LVDS](#) [PCL-101100SB-2E](#) [AXXSTCBLQAT](#) [NT31C-KBA05](#) [PCL-101100M-2E](#) [A2U4PSWCXCXK1](#) [2 port SATA to 5 pin,L=200mm](#)  
[P782-006-DH](#) [ACL-10568NF-2](#)