

PLEASE CHECK WWW.MOLEX.COM FOR LATEST PART INFORMATION

Part Number: [0877610006](#)
Status: **Active**
Overview: [Milli-Grid Connector System](#)
Description: Milli-Grid Header, Dual Row Dual Body, Through Hole, Vertical, 4 Circuits, 0.38µm Gold (Au) Selective Plating, 8.18mm Stacking Height, Pocket Tray Packaging, Lead-Free

Documents:

| | |
|--|--|
| Drawing (PDF) | Packaging Specification PK-89990-487-001 (PDF) |
| Product Specification PS-87761-100-001 (PDF) | Test Summary 877610000-TS-000 (PDF) |
| Application Specification 503940001-AS-000 (PDF) | RoHS Certificate of Compliance (PDF) |
| Packaging Specification PK-87761-001-001 (PDF) | |

Agency Certification

UL E29179

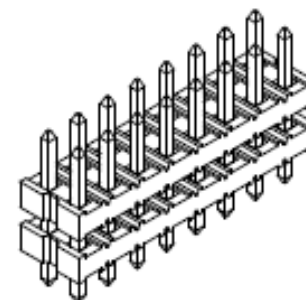
General

| | |
|----------------|---|
| Product Family | PCB Headers |
| Series | 87761 |
| Application | Board-to-Board, Signal |
| Overview | Milli-Grid Connector System |
| Product Name | Dual Body, Milli-Grid |
| UPC | 756054581704 |

Physical

| | |
|--------------------------------|----------------|
| Breakaway | Yes |
| Circuits (Loaded) | 4 |
| Circuits (maximum) | 4 |
| Color - Resin | Black |
| First Mate / Last Break | No |
| Flammability | 94V-0 |
| Glow-Wire Capable | No |
| Guide to Mating Part | No |
| Keying to Mating Part | None |
| Lock to Mating Part | None |
| Mated Height | 5.46mm |
| Material - Metal | Copper Alloy |
| Material - Plating Mating | Gold |
| Material - Plating Termination | Nickel |
| Material - Resin | Nylon |
| Net Weight | 0.189/g |
| Number of Rows | 2 |
| Orientation | Vertical |
| PCB Locator | No |
| PCB Retention | None |
| Packaging Type | Tray |
| Pitch - Mating Interface | 2.00mm |
| Pitch - Termination Interface | 2.00mm |
| Plating min - Mating | 0.381µm |
| Polarized to Mating Part | No |
| Polarized to PCB | No |
| Shrouded | No |
| Stackable | No |
| Temperature Range - Operating | -55° to +105°C |
| Termination Interface: Style | Through Hole |

Electrical



Series image - Reference only

EU ELV

Not Relevant

EU RoHS

Compliant

REACH SVHC

Not Contained Per -
ECHA_01_2020 (16
January 2020

Halogen-Free

Status

Not Low-Halogen

For more information, please visit [Contact US](#)

China ROHS

ELV

RoHS Phthalates

China RoHS

Green Image

Not Relevant

Not Contained

Search Parts in this Series

[87761](#) Series

Mates With

[79109](#) Board-to-Board Top/Bottom Entry
SMT Receptacle

| | |
|-------------------------------|------|
| Current - Maximum per Contact | 2.0A |
| Voltage - Maximum | 125V |

Solder Process Data

| | |
|--|------|
| Duration at Max. Process Temperature (seconds) | 010 |
| Lead-free Process Capability | WAVE |
| Max. Cycles at Max. Process Temperature | 003 |
| Process Temperature max. C | 250 |

Material Info**Reference - Drawing Numbers**

| | |
|---------------------------|------------------------------------|
| Application Specification | 503940001-AS-000 |
| Packaging Specification | PK-87761-001-001, PK-89990-487-001 |
| Product Specification | PS-87761-100-001 |
| Sales Drawing | SD-87761-052-001 |
| Test Summary | 877610000-TS-000 |

This document was generated on 03/30/2020

PLEASE CHECK WWW.MOLEX.COM FOR LATEST PART INFORMATION

X-ON Electronics

Largest Supplier of Electrical and Electronic Components

Click to view similar products for [Headers & Wire Housings](#) category:

Click to view products by [Molex](#) manufacturer:

Other Similar products are found below :

[95000-104TRLF](#) [10135584-644402LF](#) [DF62W-EP2022PCA](#) [95000-106TRLF](#) [DF62W-2022SCA](#) [DF62W-EP2022PC](#) [2203348](#) [DF62W-2022SC](#) [1084018](#) [1029039](#) [1084017](#) [802-10-012-10-002000](#) [1112640](#) [1112639](#) [891-007-9SS-BST1T](#) [000-34000](#) [0008550134](#) [0009482033](#) [0009507031](#) [57102-F02-18ULF](#) [57102-S06-03LF](#) [57202-S52-04LF](#) [PCN6-15S-2.5E](#) [0039019024](#) [58102-G61-06LF](#) [582553-1](#) [0009485154](#) [0009508121](#) [009176003701906](#) [0022285053](#) [0050291907](#) [018731A](#) [LY20-4P-DT1-P1E-BR](#) [02.125.8002.8](#) [60101931](#) [60598-1 \(Cut Strip\)](#) [M1625-3R/100](#) [61062-3](#) [61082-181009](#) [CSU011177004](#) [636-1427](#) [638009-1](#) [641938-9](#) [641991-4](#) [644168-1](#) [644827-2](#) [647662-1](#) [65039-019ELF](#) [65692-001LF](#) [65781-018](#)