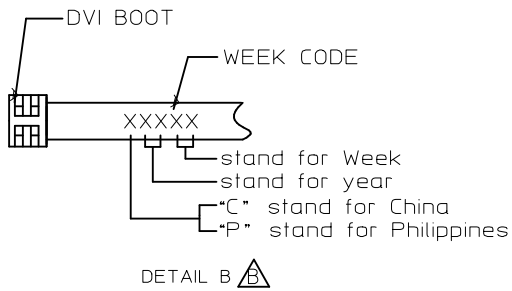
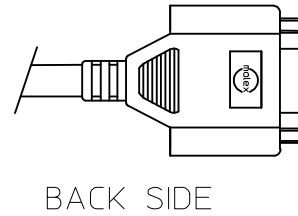
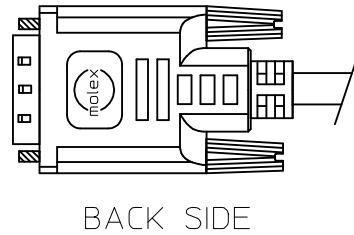
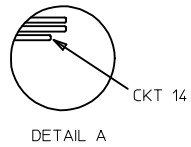
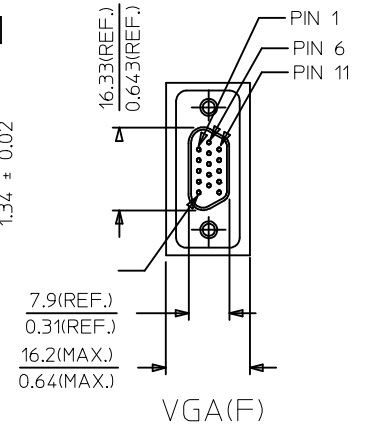
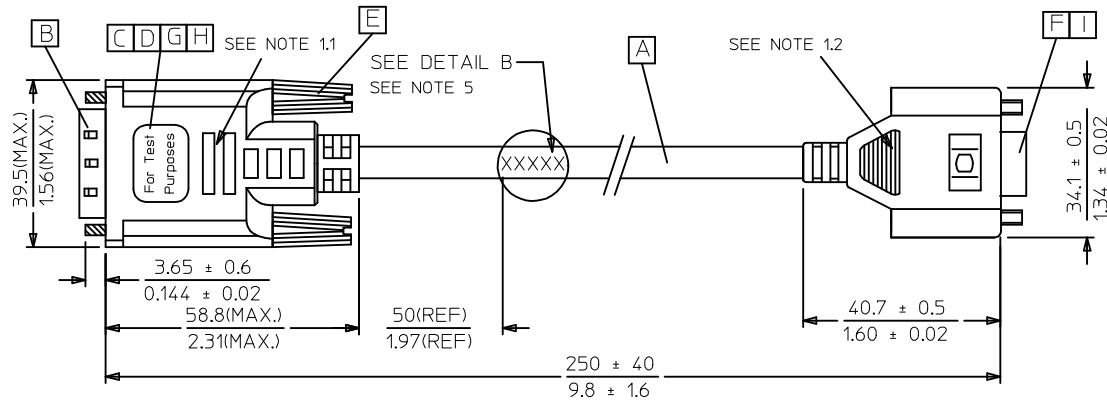
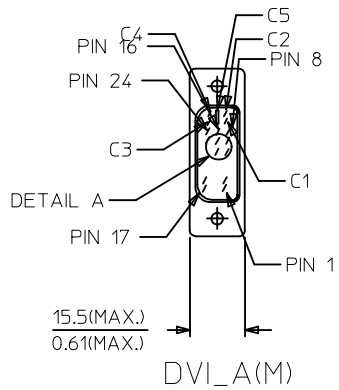


REVISIONS				
EC NO	DATE	REV	DESCRIPTION	CHANGER
CY14-5154	2013/08/30	B	CHANGE THE LABELING CONTENT FOR PRODUCTS TRANSFER TO PHILIPPINES	AHOU



ENTER DESCRIPTION EC NO: CPG2014-0687 DRWN: XJGU001 CHKD: AHOU APPR: XAWANG	QUALITY SYMBOLS $\nabla = 0$ $\nabla = 0$ $\nabla = 0$	GENERAL TOLERANCES (UNLESS SPECIFIED)		DIMENSION STYLE MM/IN		SCALE	DESIGN UNITS METRIC	THIRD ANGLE PROJECTION
		mm	INCH	DRAWN BY	DATE	TITLE		
		4 PLACES	± ---	± ---	XJGU001	2013/09/06	DVI_A(M) TO VGA(F) DONGLE CABLE ASS'Y 0.25M molex DOCUMENT NO. SD-88741-097 SHEET NO. 1 OF 2	
		3 PLACES	± ---	± ---	CHECKED BY	DATE		
2 PLACES	± ---	± ---	PDAI	2013/09/06				
1 PLACE	± ---	± ---	APPROVED BY	DATE				
0 PLACE	± ---	± ---	XAWANG	2013/09/12	MATERIAL NO.	887419700		
DRAFT WHERE APPLICABLE MUST REMAIN WITHIN DIMENSIONS		ANGULAR ± ---°		THIS DRAWING CONTAINS INFORMATION THAT IS PROPRIETARY TO MOLEX INCORPORATED AND SHOULD NOT BE USED WITHOUT WRITTEN PERMISSION				

7

6

5

4

3

2


1

NOTE: 1. OVERMOLD SPECIFICATION:

1.1 DVI BOOT MOLDED SNOW WHITE PVC RESIN 887800076. UL94V-0.

1.2 VGA OVERMOLDED WITH PVC BLUE RESIN 887800145.

2. MECHANICAL SPECIFICATION:

 2.1 CABLE SHOULD STAND THE PULL FORCE 89-111N FOR 30 SECONDS WITH NO VISIBLE TERMINATION DAMAGE.

3. PRODUCT ELECTRICAL SPECIFICATION REFER TO ES-001.

4. DVI CONNECTOR SPECIFICATION:

4.1 REFER TO PRODUCT SPEC. PS-74320-001

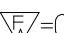
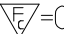
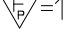

4.2 CONTACT PLATING: AU FLASH.

5. THE CODE PLEASE BE PRINTED ON THE SPACE.

6. THIS PRODUCT MUST MEET MX RoHS COMPLIANCE.

SHIELD	SHIELD	SHIELD	GROUND
C 5	PIN R6,G7,B8	RED,GRN,BLU	ANLOG GROUND
C 4	PIN 13	WHITE	HORIZONTAL SYNC
C 3	PIN 3	BLUE	ANLOG
C 2	PIN 2	GREEN	ANLOG
C 1	PIN 1	RED	ANLOG
PIN 15	PIN 5,10	ORANGE	GROUND(+5V & HV SYNC)
PIN 14,16	PIN 9	YEL/BRN	POWER +5V/HOT PLUG DETECT
PIN 8	PIN 14	RED	VERTICAL SYNC
PIN 7	PIN 12	GREEN	DDC DATA
PIN 6	PIN 15	BLACK	DDC CLOCK
DVI_A	VGA	COLOR	CABLE FUNCTION

ITEM	DESCRIPTION	L	QTY.
I	VGA METAL CAN 887809056		1
H	DVI-I INNER EMI CAN 743260012		2
G	COPPER FOIL 887801082		1
F	VGA D-SUB CONNECTOR 887899274		1
E	DVI THUMB SCREW 887806005		2
D	EVC CRIMP FERRULE 737720001		1
C	DVI-I OUTER EMI CAN 743260011		1
B	DVI_A G/F CONNECTOR 743230011		1
A	DVI ANALOG CABLE IVORY 887808032	225(Ref.)	1

ENTER DESCRIPTION EC NO: CPG2014-0687 DRW:NXJGU001 2013/09/06 CHKD:AHOU 2013/09/06 APPR:XAWANG 2013/09/12	QUALITY SYMBOLS  =0  =0  =1	GENERAL TOLERANCES (UNLESS SPECIFIED)		DIMENSION STYLE	SCALE	DESIGN UNITS	THIRD ANGLE PROJECTION
		mm	INCH	MM/IN	1:1	METRIC	
B	REV	4 PLACES	± ---	± ---	DRAWN BY	DATE	TITLE DVI_A(M) TO VGA(F) DONGLE CABLE ASS'Y 0.25M
		3 PLACES	± ---	± ---	XJGU001	2013/09/06	
		2 PLACES	± ---	± ---	CHECKED BY	DATE	
		1 PLACE	± ---	± ---	PDAI	2013/09/06	
		0 PLACE	± ---	± ---	APPROVED BY	DATE	
ANGULAR ± ---°		DRAFT WHERE APPLICABLE MUST REMAIN WITHIN DIMENSIONS		MATERIAL NO.	DOCUMENT NO.	SHEET NO.	
				SIZE  4	THIS DRAWING CONTAINS INFORMATION THAT IS PROPRIETARY TO MOLEX INCORPORATED AND SHOULD NOT BE USED WITHOUT WRITTEN PERMISSION		

6

5

4

3

2

1

NOTE: 1. OVERMOLD SPECIFICATION:

- 1.1 DVI BOOT MOLDED SNOW WHITE PVC RESIN 887800076E~UL94V-0.
- 1.2 VGA OVERMOLDED WITH PVC BLUE RESIN 887800145.

2. MECHANICAL SPECIFICATION:

- ▽ 2.1 CABLE SHOULD STAND THE PULL FORCE 89-111N FOR 30 SECONDS WITH NO VISIBLE TERMINATION DAMAGE.

3. PRODUCT ELECTRICAL SPECIFICATION REFER TO ES-001.

4. DVI CONNECTOR SPECIFICATION:

- 4.1 REFER TO PRODUCT SPEC. PS-74320-001
- 4.2 CONTACT PLATING: AU FLASH.

5. THE CODE PLEASE BE PRINTED ON THE SPACE.

6. THIS PRODUCT MUST MEET MX RoHS COMPLIANCE.

SHIELD	SHIELD	SHIELD	GROUND
C 5	PIN R6,G7,B8	RED,GRN,BLU	ANLOG GROUND
C 4	PIN 13	WHITE	HORIZONTAL SYNC
C 3	PIN 3	BLUE	ANLOG
C 2	PIN 2	GREEN	ANLOG
C 1	PIN 1	RED	ANLOG
PIN 15	PIN 5,10	ORANGE YEL/BRN	GROUND(+5V & HV SYNC)
PIN 14,16	PIN 9		POWER +5V/HOT PLUG DETECT
PIN 8	PIN 14	RED	VERTICAL SYNC
PIN 7	PIN 12	GREEN	DDC DATA
PIN 6	PIN 15	BLACK	DDC CLOCK
DVI_A	VGA	COLOR	CABLE FUNCTION

I	VGA METAL CAN 887809056		1
H	DVI-I INNER EMI CAN 743260012		2
G	COPPER FOIL 887801082		1
F	VGA D-SUB CONNECTOR 887899274		1
E	DVI THUMB SCREW 887806005		2
D	EVC CRIMP FERRULE 737720001		1
C	DVI-I OUTER EMI CAN 743260011		1
B	DVI_A G/F CONNECTOR 743230011		1
A	DVI ANALOG CABLE IVORY 887808032	225(Ref.)	1
ITEM	DESCRIPTION	L	QTY.

NEW RELEASE EC NO: DG2006-0183 DRWN:PDAI CHKD: APPR:TKAN	2006/03/03 2006/03/03 2006/03/03	QUALITY SYMBOLS ▽=0 ◻=0	GENERAL TOLERANCES (UNLESS SPECIFIED)		DIMENSION STYLE MM/IN		SCALE ---	DESIGN UNITS METRIC	THIRD ANGLE PROJECTION	
						DRAWN BY PDAI	DATE 2006/02/28	TITLE DVI-A(M) TO VGA(F) DONGLE CABLE ASS'Y 0.25M		
						CHECKED BY PDAI	DATE 2006/02/28	APPROVED BY ZXDENG		
						APPROVED BY ZXDENG		DATE 2006/02/28	MATERIAL NO. 88741-9700	
			DRAFT WHERE APPLICABLE MUST REMAIN WITHIN DIMENSIONS		DOCUMENT NO. SD-88741-097		SHEET NO. 2 OF 2			

X-ON Electronics

Largest Supplier of Electrical and Electronic Components

Click to view similar products for [Specialized Cables](#) category:

Click to view products by [Molex](#) manufacturer:

Other Similar products are found below :

[585P5S5S](#) [603PT6](#) [603SS6L](#) [604PT6](#) [604SS6](#) [654PT2](#) [654ST2](#) [M83513/04-H02C](#) [M83513/04-H13C](#) [FFA.3S.787.CN](#) [84914-0235](#) [84914-0237](#) [9-1589475-0](#) [1200650264](#) [1200650355](#) [1200650362](#) [1200650392](#) [1200650442](#) [1200650843](#) [1200650880](#) [1200650968](#) [1200651246](#)
[1200651756](#) [1200680096](#) [1200690050](#) [1200690242](#) [1200700133](#) [1200700176](#) [1200700178](#) [1200700218](#) [120070-0224](#) [1200700267](#)
[1200730058](#) [1200730360](#) [120115-0033](#) [1201150044](#) [1200650368](#) [1200650505](#) [1200651330](#) [1200651454](#) [1200651516](#) [1200651571](#)
[1200651580](#) [1200651601](#) [1200652122](#) [1200680196](#) [1200690085](#) [1200690095](#) [1200690153](#) [1200700088](#)