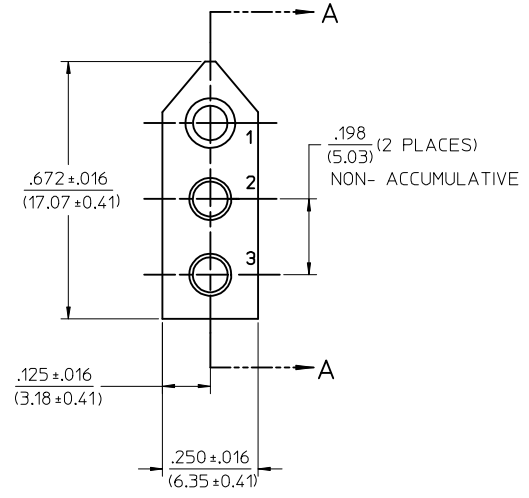
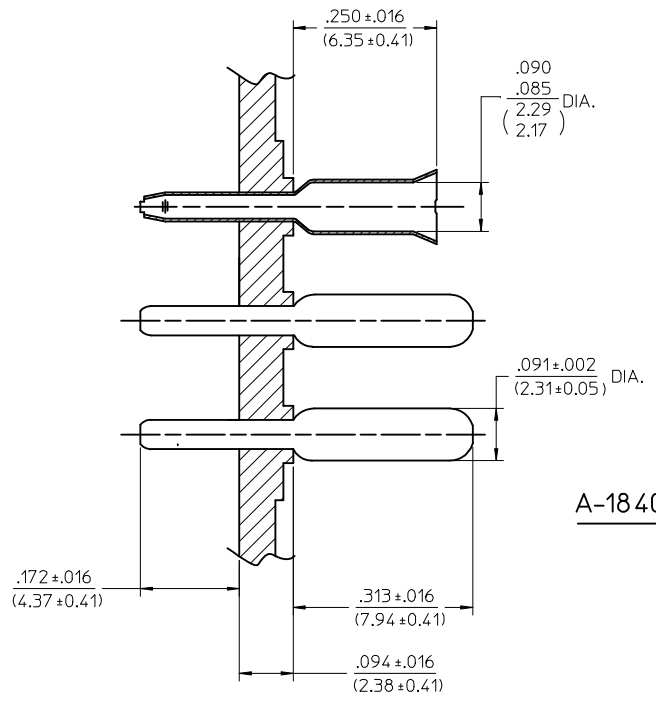
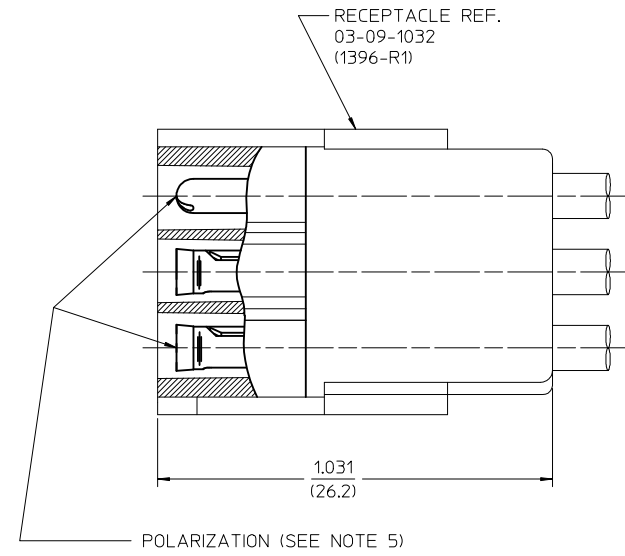
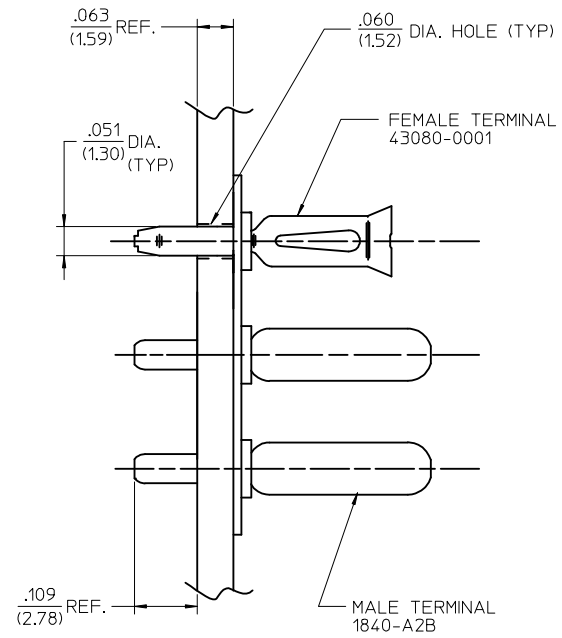


PART NO.	ENG. NO.	TERM PATTERN		
		1	2	3
09-18-5032	A-1840-3-01	M	M	M
09-18-5031	A-1840-3-02	F	M	M
09-18-5037	A-1840-3-07	M	F	M
09-18-5930	A-1840-3-09	M	B	M



- NOTES:
- MATERIAL:
BASE AND RECEPTACLE: NYLON PA66, UL94V-0, COLOR: NATURAL
TERMINALS: MALE - BRASS ALLOY
FEMALE - PHOSPHOR BRONZE ALLOY
 - FINISH:
MALE TERMINALS: .000200/0.00508 MIN. TIN OVER
.000100/0.00254 MIN. COPPER
FEMALE TERMINALS: .000050/0.00127 MIN. TIN OVER
.000050/0.00127 MIN. NICKEL
 - PRODUCT SPECIFICATION: N/A
 - PACKAGING SPECIFICATION: PK-1840-001
 - POLARIZATION ACCOMPLISHED THROUGH AN INTER-MIX OF MALE AND FEMALE TERMINALS. (MOLEX .093 TERMINALS)
 - TERMINAL PATTERN CODE:
M = MALE TERMINALS
F = FEMALE TERMINALS
B = NO TERMINALS
 - PARTS TO BE MOUNTED ON SUPPORTED EDGE OF P.C. BOARD

SCALE: 4:1

A-1840-3-2 SHOWN

ADD PKG SPECS EC NO: UCP2013-4695 DRWN:MMSTROH 2011/10/18 CHKD:JBELL 2013/05/01 APPR:FSMITH 2013/05/13	QUALITY SYMBOLS ▽=0 ▽=0 ▽=0	GENERAL TOLERANCES (UNLESS SPECIFIED)		DIMENSION STYLE IN/MM	SCALE 6:1	DESIGN UNITS INCH	THIRD ANGLE PROJECTION
		4 PLACES ± --- ± ---	3 PLACES ± --- ± .010	2 PLACES ± 0.25 ± .015	1 PLACE ± 0.38 ± ---	DRAWN BY EWC	DATE 1974/04/30
REV V2	DESCRIPTION	ANGULAR ±1/2°		CHECKED BY JBELL	DATE 2013/05/01	MOLEX INCORPORATED	
		DRAFT WHERE APPLICABLE MUST REMAIN WITHIN DIMENSIONS		APPROVED BY	DATE	MATERIAL NO. SEE CHART	DOCUMENT NO. SDA-1840-3-*

X-ON Electronics

Largest Supplier of Electrical and Electronic Components

Click to view similar products for [Pin & Socket Connectors](#) category:

Click to view products by [Molex](#) manufacturer:

Other Similar products are found below :

[6450822-1](#) [770392-1](#) [794042-1](#) [796885-1](#) [8-794535-1](#) [PLR3455ACS-222](#) [R929991004](#) [R929993003](#) [1403611-1](#) [1-480349-5](#) [152302-5](#)
[153211-2](#) [1586092-1](#) [1586129-1](#) [1586681-4](#) [1586700-1](#) [1586368-1](#) [1586380-1](#) [1586616-1](#) [1586680-5](#) [16-06-0038](#) [164164-5](#) [1-6609930-1](#)
[172296-1](#) [19-09-2035](#) [200503-1](#) [200788-2](#) [2029090-4](#) [2029095-4](#) [925061-7](#) [293734-4](#) [293737-2](#) [1-765362-4](#) [1871534-1](#) [200833-4](#)
[2008625-2](#) [2029027-2](#) [2029096-4](#) [R929991000](#) [R929991002](#) [R929993000](#) [319-10-101-00-005000](#) [319-10-102-00-001000](#) [319-10-104-00-001000](#) [319-10-105-00-001000](#) [319-10-108-00-001000](#) [319-10-112-00-006000](#) [39-01-8019](#) [319-10-101-00-001000](#) [319-10-102-00-005000](#)