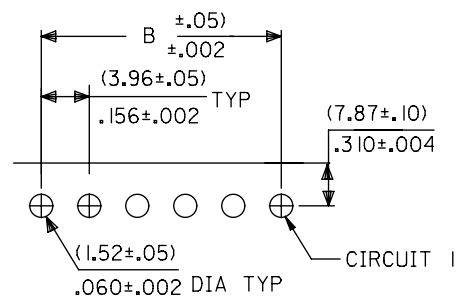
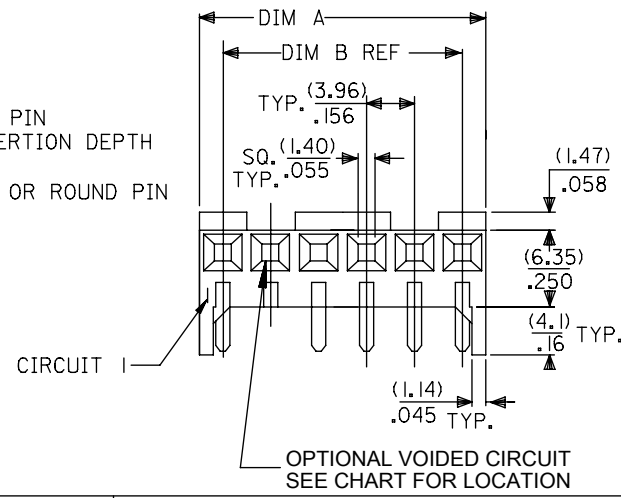
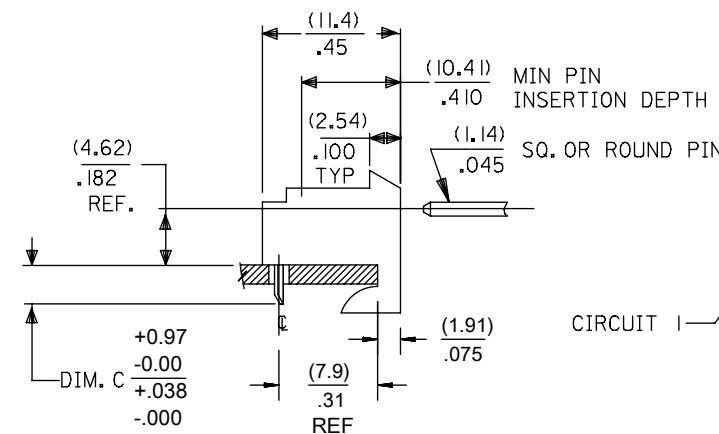


RIGHT ANGLE

HOUSING: 41815-N-AN-*** (WITH RAMP)
 HOUSING: 41815-N-DN-*** (WITHOUT RAMP)



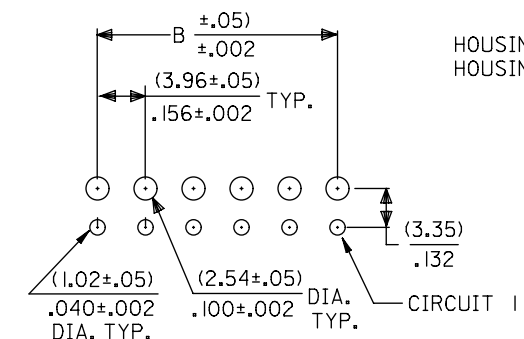
PCB LAYOUT: COMPONENT SIDE (1.57/.18)
 RECOMMENDED PCB THICKNESS: .062/.007



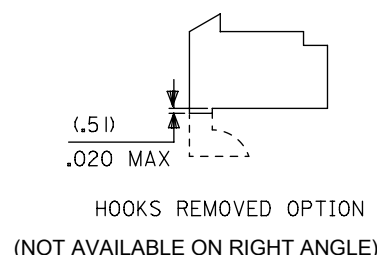
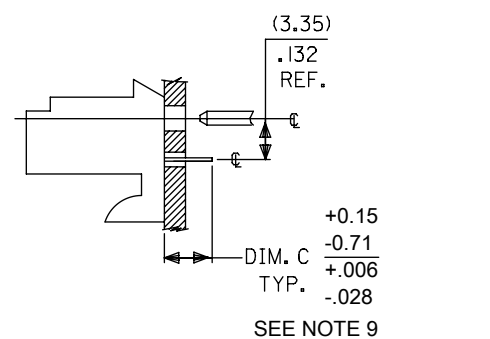
OPTIONAL VOIDED CIRCUIT
 SEE CHART FOR LOCATION

BOTTOM ENTRY

HOUSING: 41815-N-AN-*** (WITH RAMP)
 HOUSING: 41815-N-DN-*** (WITHOUT RAMP)

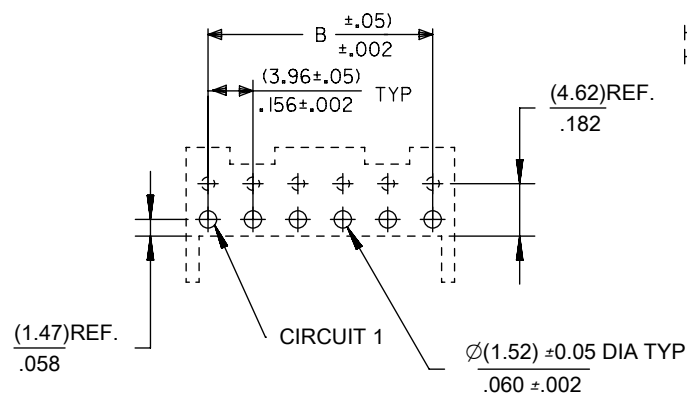


PCB LAYOUT: COMPONENT SIDE (1.57/.18)
 RECOMMENDED PCB THICKNESS: .062/.007

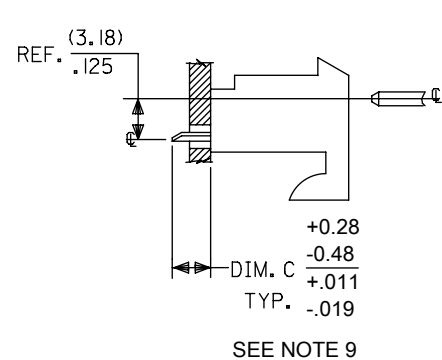


TOP ENTRY

HOUSING: 41815-N-AN-*** (WITH RAMP)
 HOUSING: 41815-N-DN-*** (WITHOUT RAMP)



PCB LAYOUT: COMPONENT SIDE (1.57/.18)
 RECOMMENDED PCB THICKNESS: .062/.007



| DIM. B | DIM. A | NO. OF CKTS |
|---------------|------------------------|-------------|
| (3.96) .156 | (7.82±.25) .308±.010 | 2 |
| (7.92) .312 | (11.79±.25) .464±.010 | 3 |
| (11.89) .468 | (15.75±.25) .620±.010 | 4 |
| (15.85) .624 | (19.71±.25) .776±.010 | 5 |
| (19.81) .780 | (23.67±.25) .932±.010 | 6 |
| (23.77) .936 | (27.64±.30) 1.088±.012 | 7 |
| (27.74) 1.092 | (31.60±.25) 1.244±.012 | 8 |
| (31.70) 1.248 | (35.56±.30) 1.400±.012 | 9 |
| (35.66) 1.404 | (39.52±.30) 1.556±.012 | 10 |
| (39.62) 1.560 | (43.48±.30) 1.712±.012 | 11 |
| (43.59) 1.716 | (47.45±.30) 1.868±.012 | 12 |
| (47.55) 1.872 | (51.41±.30) 2.024±.012 | 13 |
| (51.51) 2.028 | (55.37±.36) 2.180±.014 | 14 |
| (55.47) 2.184 | (59.33±.36) 2.336±.014 | 15 |

NOTES:

- MATERIAL: HOUSING: POLYESTER, RATED UL 94V-0, COLOR: NATURAL (WHITE)
- FINISH:
 - (197) = OVERALL REFLOWED MATTE TIN: 0.00152/.000060 MIN OVER 0.00127/.000050 MIN NICKEL.
 - (208) = SELECT GOLD: 0.00038/.000015 MIN, SELECT TIN: 0.00254/.000100 MIN, OVERALL NICKEL UNDERPLATE: 0.00127/.000050 MIN.
 - (228) = SELECT GOLD: 0.00076/.000030 MIN, SELECT TIN: 0.00254/.000100 MIN, OVERALL NICKEL UNDERPLATE: 0.00127/.000050 MIN.
 - (909) = OVERALL TIN: 0.00254/.000100 MIN.
- PRODUCT SPECIFICATION: PS-08-50
- PACKAGING: SEE CHARTS
- FOR TOP ENTRY AND RIGHT ANGLE ASSEMBLIES WITH LOWER INSERTION FORCE USE SINGLE BEAM CONTACT. (TERMINAL NO. 4244)
- SOLDERABILITY: WHEN PARTS ARE SOLDERED AT A TEMPERATURE OF 230°C (446°F) FOR 5 SECONDS EACH SOLDERED SURFACE SHALL BE A MINIMUM OF 95% COVERED WITH A SMOOTH CONTINUOUS ADHERENT COATING. FOR ADDITIONAL INFORMATION SEE SMES-152.
- PARTS ARE STACKABLE END TO END ON (3.96)/.156 CENTERLINE.
- THIS PART CONFORMS TO CLASS B REQUIREMENTS OF COSMETIC SPEC PS-45499-002.
- DIMENSION 'C' MEASURED WITH TERMINAL PUSHED IN AGAINST THE STOP.

| | | | | | | | | | | | | | | | | | | | |
|---|---|---|--------------------|---|--------------------|--------|-----------------|----------|-------|-----------|----------------|-----------------|----------|----------|--------------|-----------|-----|-----|--------|
| QUALITY SYMBOLS FA = 0 FE = 0 FF = 0 GV = 0 CV = 0 X = 0 ■ = 0 VC = 0 | DIM C TOLERANCE EC NO: 107740 DRWN: MKIPPER CHK'D: JBELL APPR: FSMITH | THIS DRAWING CONTAINS INFORMATION THAT IS PROPRIETARY TO MOLEX ELECTRONIC TECHNOLOGIES, LLC AND SHOULD NOT BE USED WITHOUT WRITTEN PERMISSION | | | | | | | | | | | | | | | | | |
| | | GENERAL TOLERANCES (UNLESS SPECIFIED) | | DIMENSION UNITS | SCALE | | | | | | | | | | | | | | |
| | | 4 PLACES ± ± 3 PLACES ± ± 0.01 2 PLACES ± 0.25 ± 0.015 1 PLACES ± 0.38 ± 0 PLACES ± ± | | MM/IN | NTS | | | | | | | | | | | | | | |
| | | ANGULAR TOL ± 0.5 DRAFT WHERE APPLICABLE MUST REMAIN WITHIN DIMENSIONS | | DRWN BY SAMIEC | DATE 1987/01/28 | | | | | | | | | | | | | | |
| AP | | CHK'D BY SAMIEC | DATE 1987/01/28 | <p>KK 156 HOUSING PCB 41815 SERIES</p> <p>PRODUCT CUSTOMER DRAWING</p> <table border="1"> <tr> <td>SERIES</td> <td>MATERIAL NUMBER</td> <td>CUSTOMER</td> </tr> <tr> <td>41815</td> <td>SEE CHART</td> <td>GENERAL MARKET</td> </tr> <tr> <td>DOCUMENT NUMBER</td> <td>DOC TYPE</td> <td>DOC PART</td> <td>SHEET NUMBER</td> </tr> <tr> <td>SDA-41815</td> <td>PSD</td> <td>000</td> <td>1 OF *</td> </tr> </table> | | SERIES | MATERIAL NUMBER | CUSTOMER | 41815 | SEE CHART | GENERAL MARKET | DOCUMENT NUMBER | DOC TYPE | DOC PART | SHEET NUMBER | SDA-41815 | PSD | 000 | 1 OF * |
| SERIES | MATERIAL NUMBER | CUSTOMER | | | | | | | | | | | | | | | | | |
| 41815 | SEE CHART | GENERAL MARKET | | | | | | | | | | | | | | | | | |
| DOCUMENT NUMBER | DOC TYPE | DOC PART | SHEET NUMBER | | | | | | | | | | | | | | | | |
| SDA-41815 | PSD | 000 | 1 OF * | | | | | | | | | | | | | | | | |
| DRAWING SIZE B | | THIRD ANGLE PROJECTION | | | | | | | | | | | | | | | | | |
| RELEASE STATUS | | RELEASE DATE | | | | | | | | | | | | | | | | | |



KK 156 PCB ASSY 2-15 CKT 41815 SERIES

| | | | | | | | |
|--------------|-------------------|--------------|-------------------|--------------|-------------------|--------------|-------------------|
| Assy. Proc: | RIGHT ANGLE | Assy. Proc: | RIGHT ANGLE | Assy. Proc: | BOTTOM ENTRY | Assy. Proc: | BOTTOM ENTRY |
| Housing No: | 41815-N-AN | Housing No: | 41815-N-AN | Housing No: | 41815-N-AN | Housing No: | 41815-N-AN |
| Options | WITH RAMP | Options | WITH RAMP | Options | WITH RAMP | Options | WITH RAMP |
| Terminal No: | 2144-BA-A1AA-197B | Terminal No: | 2144-BA-A1AA-208B | Terminal No: | 6298-1-197 | Terminal No: | 6298-1-208 |
| Term Matl: | PHOS BRONZE | Term Matl: | PHOS BRONZE | Term Matl: | PHOS BRONZE | Term Matl: | PHOS BRONZE |
| Plating: | 197 TIN | Plating: | 208 – 15 GOLD | Plating: | 197 – TIN | Plating: | 208 – 15 GOLD |
| Dim C: | (3.68) / .145 | Dim C: | (3.68) / .145 | Dim C: | (3.18)/. 125 | Dim C: | (3.18)/. 125 |
| Voids: | NONE | Voids: | NONE | Voids: | NONE | Voids: | NONE |
| Hooks Cut: | NO | Hooks Cut: | NO | Hooks Cut: | NO | Hooks Cut: | NO |
| Packaging: | PK-41815-001 TRAY | Packaging: | PK-41815-001 TRAY | Packaging: | PK-41815-001 TRAY | Packaging: | PK-41815-001 TRAY |

| Ckts | Material No | Engineer Number | Material No | Engineer Number | Material No | Engineer Number | Material No | Engineer Number |
|------|-------------|-----------------|-------------|-----------------|-------------|-----------------|-------------|-----------------|
| 2 | 09-48-1024 | A-41815-0002 | 09-48-5024 | A-41815-0016 | 09-48-4029 | A-41815-0030 | 09-48-5026 | A-41815-0044 |
| 3 | 09-48-1034 | A-41815-0003 | 09-48-5034 | A-41815-0017 | 09-48-4039 | A-41815-0031 | 09-48-5036 | A-41815-0045 |
| 4 | 09-48-1044 | A-41815-0004 | 09-48-5044 | A-41815-0018 | 09-48-4049 | A-41815-0032 | 09-48-5046 | A-41815-0046 |
| 5 | 09-48-1054 | A-41815-0005 | 09-48-5054 | A-41815-0019 | 09-48-4059 | A-41815-0033 | 09-48-5056 | A-41815-0047 |
| 6 | 09-48-1064 | A-41815-0006 | 09-48-5064 | A-41815-0020 | 09-48-4069 | A-41815-0034 | 09-48-5066 | A-41815-0048 |
| 7 | 09-48-1074 | A-41815-0007 | 09-48-5074 | A-41815-0021 | 09-48-4079 | A-41815-0035 | 09-48-5076 | A-41815-0049 |
| 8 | 09-48-1084 | A-41815-0008 | 09-48-5084 | A-41815-0022 | 09-48-4089 | A-41815-0036 | 09-48-5086 | A-41815-0050 |
| 9 | 09-48-1094 | A-41815-0009 | 09-48-5094 | A-41815-0023 | 09-48-4099 | A-41815-0037 | 09-48-5096 | A-41815-0051 |
| 10 | 09-48-1104 | A-41815-0010 | 09-48-5104 | A-41815-0024 | 09-48-4109 | A-41815-0038 | 09-48-5106 | A-41815-0052 |
| 11 | 09-48-1114 | A-41815-0011 | 09-48-5114 | A-41815-0025 | 09-48-4119 | A-41815-0039 | 09-48-5116 | A-41815-0053 |
| 12 | 09-48-1124 | A-41815-0012 | 09-48-5124 | A-41815-0026 | 09-48-4129 | A-41815-0040 | 09-48-5126 | A-41815-0054 |
| 13 | 09-48-1134 | A-41815-0013 | 09-48-5134 | A-41815-0027 | 09-48-4139 | A-41815-0041 | 09-48-5136 | A-41815-0055 |
| 14 | 09-48-1144 | A-41815-0014 | 09-48-5144 | A-41815-0028 | 09-48-4149 | A-41815-0042 | 09-48-5146 | A-41815-0056 |
| 15 | 09-48-1154 | A-41815-0015 | 09-48-5154 | A-41815-0029 | 09-48-4159 | A-41815-0043 | 09-48-5156 | A-41815-0057 |

| | | | |
|------------------|-----------------------|---|--------------|
| REV: | ECR/ECN INFORMATION: | TITLE: | SHEET No. |
| AN4 | EC NO. | KK 156 HOUSING ASSY PCB 41815 SERIES DWG | - 2 - |
| | DATE: | | |
| | 121254 | | |
| | 8/30/2017 | | |
| DOCUMENT NUMBER: | CREATED / REVISED BY: | CHECKED BY: | APPROVED BY: |
| SDA-41815 | SS06 | SS06 | ISHWARG |



KK 156 PCB ASSY 2-15 CKT 41815 SERIES

| | | | | | | | |
|--------------|-------------------|--------------|-------------------|--------------|-------------------|--------------|--------------------|
| Assy. Proc: | TOP ENTRY | Assy. Proc: | TOP ENTRY | Assy. Proc: | BOTTOM ENTRY | Assy. Proc: | TOP ENTRY |
| Housing No: | 41815-N-AN | Housing No: | 41815-N-AN | Housing No: | 41815-N-AN | Housing No: | 41815-N-AN |
| Options: | WITH RAMP | Options: | WITH RAMP | Options: | WITH RAMP | Options: | WITH RAMP |
| Terminal No: | 2144-BA-A1AA-197B | Terminal No: | 2144-BA-A1AA-208B | Terminal No: | 2188-1-P909 | Terminal No: | 2144-AA-A1AA-P909B |
| Term Matl: | PHOS BRONZE | Term Matl: | PHOS BRONZE | Term Matl: | BRASS | Term Matl: | BRASS |
| Plating: | 197 – TIN | Plating: | 208 – 15 GOLD | Plating: | P909 – TIN | Plating: | P909 – TIN |
| Dim C: | (3.05) / .120 | Dim C: | (3.05) / .120 | Dim C: | (3.18) / .125 | Dim C: | (3.05) / .120 |
| Voids: | NONE | Voids: | NONE | Voids: | NONE | Voids: | NONE |
| Hooks Cut: | NO | Hooks Cut: | NO | Hooks Cut: | NO | Hooks Cut: | YES |
| Packaging: | PK-41815-001 TRAY | Packaging: | PK-41815-001 TRAY | Packaging: | PK-41815-001 TRAY | Packaging: | PK-41815-001 TRAY |

| Ckts | Material No | Engineer Number | Material No | Engineer Number | Material No | Engineer Number | Material No | Engineer Number |
|------|-------------|-----------------|-------------|-----------------|-------------|-----------------|-------------|-----------------|
| 2 | 09-48-4028 | A-41815-0058 | 09-48-5025 | A-41815-0072 | 09-48-2022 | A-41815-0100 | 09-48-2025 | A-41815-0114 |
| 3 | 09-48-4038 | A-41815-0059 | 09-48-5035 | A-41815-0073 | 09-48-2032 | A-41815-0101 | 09-48-2035 | A-41815-0115 |
| 4 | 09-48-4048 | A-41815-0060 | 09-48-5045 | A-41815-0074 | 09-48-2042 | A-41815-0102 | 09-48-2045 | A-41815-0116 |
| 5 | 09-48-4058 | A-41815-0061 | 09-48-5055 | A-41815-0075 | 09-48-2052 | A-41815-0103 | 09-48-2055 | A-41815-0117 |
| 6 | 09-48-4068 | A-41815-0062 | 09-48-5065 | A-41815-0076 | 09-48-2062 | A-41815-0104 | 09-48-2065 | A-41815-0118 |
| 7 | 09-48-4078 | A-41815-0063 | 09-48-5075 | A-41815-0077 | 09-48-2072 | A-41815-0105 | 09-48-2075 | A-41815-0119 |
| 8 | 09-48-4088 | A-41815-0064 | 09-48-5085 | A-41815-0078 | 09-48-2082 | A-41815-0106 | 09-48-2085 | A-41815-0120 |
| 9 | 09-48-4098 | A-41815-0065 | 09-48-5095 | A-41815-0079 | 09-48-2092 | A-41815-0107 | 09-48-2095 | A-41815-0121 |
| 10 | 09-48-4108 | A-41815-0066 | 09-48-5105 | A-41815-0080 | 09-48-2102 | A-41815-0108 | 09-48-2105 | A-41815-0122 |
| 11 | 09-48-4118 | A-41815-0067 | 09-48-5115 | A-41815-0081 | 09-48-2112 | A-41815-0109 | 09-48-2115 | A-41815-0123 |
| 12 | 09-48-4128 | A-41815-0068 | 09-48-5125 | A-41815-0082 | 09-48-2122 | A-41815-0110 | 09-48-2125 | A-41815-0124 |
| 13 | 09-48-4138 | A-41815-0069 | 09-48-5135 | A-41815-0083 | 09-48-2132 | A-41815-0111 | 09-48-2135 | A-41815-0125 |
| 14 | 09-48-4148 | A-41815-0070 | 09-48-5145 | A-41815-0084 | 09-48-2142 | A-41815-0112 | 09-48-2145 | A-41815-0126 |
| 15 | 09-48-4158 | A-41815-0071 | 09-48-5155 | A-41815-0085 | 09-48-2152 | A-41815-0113 | 09-48-2155 | A-41815-0127 |

| | | | |
|------------------|-----------------------|---|--------------|
| REV: | ECR/ECN INFORMATION: | TITLE: | SHEET No. |
| AN4 | EC NO. | KK 156 HOUSING ASSY PCB 41815 SERIES DWG | - 3 - |
| | DATE: | | |
| | 121254 | | |
| | 8/30/2017 | | |
| DOCUMENT NUMBER: | CREATED / REVISED BY: | CHECKED BY: | APPROVED BY: |
| SDA-41815 | SS06 | SS06 | ISHWARG |



KK 156 PCB ASSY 2-15 CKT 41815 SERIES

| | | | | | | | |
|--------------|--|--------------|-------------------|--------------|-------------------|--------------|--------------------|
| Assy. Proc: | | Assy. Proc: | BOTTOM ENTRY | Assy. Proc: | BOTTOM ENTRY | Assy. Proc: | RIGHT ANGLE |
| Housing No: | | Housing No: | 41815-N-AN | Housing No: | 41815-N-AN | Housing No: | 41815-N-AN |
| Options | | Options | WITH RAMP | Options | WITH RAMP | Options | WITH RAMP |
| Terminal No: | | Terminal No: | 6298-197 | Terminal No: | 2188-1-228 | Terminal No: | 2144-AA-A1AA-P909B |
| Term Matl: | | Term Matl: | PHOS BRONZE | Term Matl: | BRASS | Term Matl: | BRASS |
| Plating: | | Plating: | 197 – TIN | Plating: | 228 – GOLD | Plating: | P909 – TIN |
| Dim C: | | Dim C: | (4.06) / .160 | Dim C: | (3.18) / .125 | Dim C: | (3.68) / .145 |
| Voids: | | Voids: | NONE | Voids: | NONE | Voids: | NONE |
| Hooks Cut: | | Hooks Cut: | NO | Hooks Cut: | NO | Hooks Cut: | NO |
| Packaging: | | Packaging: | PK-41815-001 TRAY | Packaging: | PK-41815-001 TRAY | Packaging: | PK-41815-001 TRAY |

| Ckts | Material No | Engineer Number | Material No | Engineer Number | Material No | Engineer Number | Material No | Engineer Number |
|------|-------------|-----------------|-------------|-----------------|-------------|-----------------|-------------|-----------------|
| 2 | | | 09-48-4021 | A-41815-0170 | 41815-0184 | A-41815-0184 | 09-48-2021 | A-41815-0198 |
| 3 | | | 09-48-4031 | A-41815-0171 | 09-48-5030 | A-41815-0185 | 09-48-2031 | A-41815-0199 |
| 4 | | | 09-48-4041 | A-41815-0172 | 09-48-5040 | A-41815-0186 | 09-48-2041 | A-41815-0200 |
| 5 | | | 09-48-4051 | A-41815-0173 | 09-48-5050 | A-41815-0187 | 09-48-2051 | A-41815-0201 |
| 6 | | | 09-48-4061 | A-41815-0174 | 41815-0188 | A-41815-0188 | 09-48-2061 | A-41815-0202 |
| 7 | | | 09-48-4071 | A-41815-0175 | 41815-0189 | A-41815-0189 | 09-48-2071 | A-41815-0203 |
| 8 | | | 09-48-4081 | A-41815-0176 | 09-48-5080 | A-41815-0190 | 09-48-2081 | A-41815-0204 |
| 9 | | | 09-48-4091 | A-41815-0177 | 41815-0191 | A-41815-0191 | 09-48-2091 | A-41815-0205 |
| 10 | | | 09-48-4101 | A-41815-0178 | 09-48-5100 | A-41815-0192 | 09-48-2101 | A-41815-0206 |
| 11 | | | 09-48-4111 | A-41815-0179 | 41815-0193 | A-41815-0193 | 09-48-2111 | A-41815-0207 |
| 12 | | | 09-48-4121 | A-41815-0180 | 41815-0194 | A-41815-0194 | 09-48-2121 | A-41815-0208 |
| 13 | | | 09-48-4131 | A-41815-0181 | 41815-0195 | A-41815-0195 | 09-48-2131 | A-41815-0209 |
| 14 | | | 09-48-4141 | A-41815-0182 | 41815-0196 | A-41815-0196 | 09-48-2141 | A-41815-0210 |
| 15 | | | 09-48-4151 | A-41815-0183 | 41815-0197 | A-41815-0197 | 09-48-2151 | A-41815-0211 |

| | | | |
|------------------|-----------------------|---|--------------|
| REV: | ECR/ECN INFORMATION: | TITLE: | SHEET No. |
| AN4 | EC NO. 121254 | KK 156 HOUSING ASSY PCB 41815 SERIES DWG | - 4 - |
| | DATE: 8/30/2017 | | |
| DOCUMENT NUMBER: | CREATED / REVISED BY: | CHECKED BY: | APPROVED BY: |
| SDA-41815 | SS06 | SS06 | ISHWARG |



KK 156 PCB ASSY 2-15 CKT 41815 SERIES

| | | | | | | | |
|--------------|-------------------|--------------|-------------------|--------------|--|--------------|--------------------|
| Assy. Proc: | RIGHT ANGLE | Assy. Proc: | BOTTOM ENTRY | Assy. Proc: | | Assy. Proc: | TOP ENTRY |
| Housing No: | 41815-N-AN | Housing No: | 41815-N-DN | Housing No: | | Housing No: | 41815-N-DN |
| Options | WITH RAMP | Options | NO RAMPS | Options | | Options | NO RAMPS |
| Terminal No: | 2144-AA-A1AA-228B | Terminal No: | 2188-P909 | Terminal No: | | Terminal No: | 2144-AA-A1AA-P909B |
| Term Matl: | BRASS | Term Matl: | BRASS | Term Matl: | | Term Matl: | BRASS |
| Plating: | 228 – GOLD | Plating: | P909 – TIN | Plating: | | Plating: | P909 – TIN |
| Dim C: | (3.68) / .145 | Dim C: | (4.06) / .160 | Dim C: | | Dim C: | (3.05) / .120 |
| Voids: | NONE | Voids: | NONE | Voids: | | Voids: | NONE |
| Hooks Cut: | NO | Hooks Cut: | YES | Hooks Cut: | | Hooks Cut: | NO |
| Packaging: | PK-41815-001 TRAY | Packaging: | PK-41815-001 TRAY | Packaging: | | Packaging: | PK-41815-001 TRAY |

| Ckts | Material No | Engineer Number | Material No | Engineer Number | Material No | Engineer Number | Material No | Engineer Number |
|------|-------------|-----------------|-------------|-----------------|-------------|-----------------|-------------|-----------------|
| 2 | 09-48-5023 | A-41815-0313 | 41815-0327 | A-41815-0327 | | | 41815-0355 | A-41815-0355 |
| 3 | 09-48-5033 | A-41815-0314 | 41815-0328 | A-41815-0328 | | | 41815-0356 | A-41815-0356 |
| 4 | 09-48-5043 | A-41815-0315 | 41815-0329 | A-41815-0329 | | | 09-48-2047 | A-41815-0357 |
| 5 | 09-48-5053 | A-41815-0316 | 09-48-2056 | A-41815-0330 | | | 41815-0358 | A-41815-0358 |
| 6 | 09-48-5063 | A-41815-0317 | 41815-0331 | A-41815-0331 | | | 41815-0359 | A-41815-0359 |
| 7 | 09-48-5073 | A-41815-0318 | 41815-0332 | A-41815-0332 | | | 41815-0360 | A-41815-0360 |
| 8 | 09-48-5083 | A-41815-0319 | 09-48-2086 | A-41815-0333 | | | 41815-0361 | A-41815-0361 |
| 9 | 09-48-5093 | A-41815-0320 | 41815-0334 | A-41815-0334 | | | 41815-0362 | A-41815-0362 |
| 10 | 09-48-5103 | A-41815-0321 | 09-48-2106 | A-41815-0335 | | | 09-48-2107 | A-41815-0363 |
| 11 | 09-48-5113 | A-41815-0322 | 41815-0336 | A-41815-0336 | | | 41815-0364 | A-41815-0364 |
| 12 | 09-48-5123 | A-41815-0323 | 41815-0337 | A-41815-0337 | | | 41815-0365 | A-41815-0365 |
| 13 | 09-48-5133 | A-41815-0324 | 41815-0338 | A-41815-0338 | | | 41815-0366 | A-41815-0366 |
| 14 | 09-48-5143 | A-41815-0325 | 41815-0339 | A-41815-0339 | | | 41815-0367 | A-41815-0367 |
| 15 | 09-48-5153 | A-41815-0326 | 41815-0340 | A-41815-0340 | | | 41815-0368 | A-41815-0368 |

| | | | |
|------------------|----------------------|---|-------------|
| REV: | ECR/ECN INFORMATION: | TITLE: | SHEET No. |
| AN4 | EC NO. | KK 156 HOUSING ASSY PCB 41815 SERIES DWG | - 5 - |
| | DATE: | | |
| DOCUMENT NUMBER: | | CREATED / REVISED BY: | CHECKED BY: |
| SDA-41815 | | SS06 | SS06 |
| | | APPROVED BY: ISHWARG | |



KK 156 PCB ASSY 2-15 CKT 41815 SERIES

| | | | | | | | |
|--------------|-------------------|--------------|--|--------------|-------------------|--------------|-------------------|
| Assy. Proc: | RIGHT ANGLE | Assy. Proc: | | Assy. Proc: | RIGHT ANGLE | Assy. Proc: | BOTTOM ENTRY |
| Housing No: | 41815-N-AN | Housing No: | | Housing No: | 41815-N-AN | Housing No: | 41815-N-AN |
| Options | WITH RAMP | Options | | Options | WITH RAMP | Options | WITH RAMP |
| Terminal No: | 4244-A-197A | Terminal No: | | Terminal No: | 2144-AA-A1AA-208B | Terminal No: | 2188-1-208 |
| Term Matl: | PHOS BRONZE | Term Matl: | | Term Matl: | BRASS | Term Matl: | BRASS |
| Plating: | 197 – TIN | Plating: | | Plating: | 208 – 15 GOLD | Plating: | 208 – 15 GOLD |
| Dim C: | (3.68) / .145 | Dim C: | | Dim C: | (3.68) / .145 | Dim C: | (3.18) / .125 |
| Voids: | NONE | Voids: | | Voids: | NONE | Voids: | NONE |
| Hooks Cut: | NO | Hooks Cut: | | Hooks Cut: | NO | Hooks Cut: | NO |
| Packaging: | PK-41815-001 TRAY | Packaging: | | Packaging: | PK-41815-001 TRAY | Packaging: | PK-41815-001 TRAY |

| Ckts | Material No | Engineer Number | Material No | Engineer Number | Material No | Engineer Number | Material No | Engineer Number |
|------|-------------|-----------------|-------------|-----------------|-------------|-----------------|-------------|-----------------|
| 2 | 09-48-1023 | A-41815-0369 | | | 09-48-3025 | A-41815-0425 | 09-48-3024 | A-41815-0439 |
| 3 | 09-48-1033 | A-41815-0370 | | | 09-48-3035 | A-41815-0426 | 09-48-3034 | A-41815-0440 |
| 4 | 09-48-1043 | A-41815-0371 | | | 09-48-3045 | A-41815-0427 | 09-48-3044 | A-41815-0441 |
| 5 | 09-48-1053 | A-41815-0372 | | | 09-48-3055 | A-41815-0428 | 09-48-3054 | A-41815-0442 |
| 6 | 09-48-1063 | A-41815-0373 | | | 09-48-3065 | A-41815-0429 | 09-48-3064 | A-41815-0443 |
| 7 | 09-48-1073 | A-41815-0374 | | | 09-48-3075 | A-41815-0430 | 09-48-3074 | A-41815-0444 |
| 8 | 09-48-1083 | A-41815-0375 | | | 09-48-3085 | A-41815-0431 | 09-48-3084 | A-41815-0445 |
| 9 | 09-48-1093 | A-41815-0376 | | | 09-48-3095 | A-41815-0432 | 09-48-3094 | A-41815-0446 |
| 10 | 09-48-1103 | A-41815-0377 | | | 09-48-3105 | A-41815-0433 | 09-48-3104 | A-41815-0447 |
| 11 | 09-48-1113 | A-41815-0378 | | | 09-48-3115 | A-41815-0434 | 09-48-3114 | A-41815-0448 |
| 12 | 09-48-1123 | A-41815-0379 | | | 09-48-3125 | A-41815-0435 | 09-48-3124 | A-41815-0449 |
| 13 | 09-48-1133 | A-41815-0380 | | | 09-48-3135 | A-41815-0436 | 09-48-3134 | A-41815-0450 |
| 14 | 09-48-1143 | A-41815-0381 | | | 09-48-3145 | A-41815-0437 | 09-48-3144 | A-41815-0451 |
| 15 | 09-48-1153 | A-41815-0382 | | | 09-48-3155 | A-41815-0438 | 09-48-3154 | A-41815-0452 |

| | | | | |
|------------------|----------------------|-----------------------|---|----------------|
| REV: | ECR/ECN INFORMATION: | TITLE: | KK 156 HOUSING ASSY PCB 41815 SERIES DWG | SHEET No. |
| AN4 | EC NO. | 121254 | | - 6 - |
| | DATE: | 8/30/2017 | | |
| DOCUMENT NUMBER: | | CREATED / REVISED BY: | CHECKED BY: | APPROVED BY: |
| SDA-41815 | | SS06 | SS06 | ISHWARG |



KK 156 PCB ASSY 2-15 CKT 41815 SERIES

| | | | | | | | |
|--------------|--------------------|--------------|-------------------|--------------|--------------------|--------------|-------------------|
| Assy. Proc: | TOP ENTRY | Assy. Proc: | TOP ENTRY | Assy. Proc: | RIGHT ANGLE | Assy. Proc: | BOTTOM ENTRY |
| Housing No: | 41815-N-AN | Housing No: | 41815-N-AN | Housing No: | 41815-N-AN | Housing No: | 41815-N-AN |
| Options | WITH RAMP | Options | WITH RAMP | Options | WITH RAMP | Options | WITH RAMP |
| Terminal No: | 2144-AA-A1AA-P909B | Terminal No: | 2144-AA-A1AA-208B | Terminal No: | 2144-BA-A1AA-P909B | Terminal No: | 6298-1-P909 |
| Term Matl: | BRASS | Term Matl: | BRASS | Term Matl: | PHOS BRONZE | Term Matl: | PHOS BRONZE |
| Plating: | P909 – TIN | Plating: | 208 – 15 GOLD | Plating: | P909 – TIN | Plating: | P909 – TIN |
| Dim C: | (3.05) / .120 | Dim C: | (3.05) / .120 | Dim C: | (3.68) / .145 | Dim C: | (3.18) / .125 |
| Voids: | NONE | Voids: | NONE | Voids: | NONE | Voids: | NONE |
| Hooks Cut: | NO | Hooks Cut: | NO | Hooks Cut: | NO | Hooks Cut: | NO |
| Packaging: | PK-41815-001 TRAY | Packaging: | PK-41815-001 TRAY | Packaging: | PK-41815-001 TRAY | Packaging: | PK-41815-001 TRAY |

| Ckts | Material No | Engineer Number | Material No | Engineer Number | Material No | Engineer Number | Material No | Engineer Number |
|------|-------------|-----------------|-------------|-----------------|-------------|-----------------|-------------|-----------------|
| 2 | 09-48-2023 | A-41815-0453 | 09-48-3026 | A-41815-0467 | 09-48-2020 | A-41815-0481 | 09-48-2029 | A-41815-0495 |
| 3 | 09-48-2033 | A-41815-0454 | 09-48-3036 | A-41815-0468 | 09-48-2030 | A-41815-0482 | 09-48-2039 | A-41815-0496 |
| 4 | 09-48-2043 | A-41815-0455 | 09-48-3046 | A-41815-0469 | 09-48-2040 | A-41815-0483 | 09-48-2049 | A-41815-0497 |
| 5 | 09-48-2053 | A-41815-0456 | 09-48-3056 | A-41815-0470 | 09-48-2050 | A-41815-0484 | 09-48-2059 | A-41815-0498 |
| 6 | 09-48-2063 | A-41815-0457 | 09-48-3066 | A-41815-0471 | 09-48-2060 | A-41815-0485 | 09-48-2069 | A-41815-0499 |
| 7 | 09-48-2073 | A-41815-0458 | 09-48-3076 | A-41815-0472 | 09-48-2070 | A-41815-0486 | 09-48-2079 | A-41815-0500 |
| 8 | 09-48-2083 | A-41815-0459 | 09-48-3086 | A-41815-0473 | 09-48-2080 | A-41815-0487 | 09-48-2089 | A-41815-0501 |
| 9 | 09-48-2093 | A-41815-0460 | 09-48-3096 | A-41815-0474 | 09-48-2090 | A-41815-0488 | 09-48-2099 | A-41815-0502 |
| 10 | 09-48-2103 | A-41815-0461 | 09-48-3106 | A-41815-0475 | 09-48-2100 | A-41815-0489 | 09-48-2109 | A-41815-0503 |
| 11 | 09-48-2113 | A-41815-0462 | 09-48-3116 | A-41815-0476 | 09-48-2110 | A-41815-0490 | 09-48-2119 | A-41815-0504 |
| 12 | 09-48-2123 | A-41815-0463 | 09-48-3126 | A-41815-0477 | 09-48-2120 | A-41815-0491 | 09-48-2129 | A-41815-0505 |
| 13 | 09-48-2133 | A-41815-0464 | 09-48-3136 | A-41815-0478 | 09-48-2130 | A-41815-0492 | 09-48-2139 | A-41815-0506 |
| 14 | 09-48-2143 | A-41815-0465 | 09-48-3146 | A-41815-0479 | 09-48-2140 | A-41815-0493 | 09-48-2149 | A-41815-0507 |
| 15 | 09-48-2153 | A-41815-0466 | 09-48-3156 | A-41815-0480 | 09-48-2150 | A-41815-0494 | 09-48-2159 | A-41815-0508 |

| | | | |
|------------------|-----------------------|---|--------------|
| REV: | ECR/ECN INFORMATION: | TITLE: | SHEET No. |
| AN4 | EC NO. | KK 156 HOUSING ASSY PCB 41815 SERIES DWG | - 7 - |
| | DATE: | | |
| | 121254 | | |
| | 8/30/2017 | | |
| DOCUMENT NUMBER: | CREATED / REVISED BY: | CHECKED BY: | APPROVED BY: |
| SDA-41815 | SS06 | SS06 | ISHWARG |



KK 156 PCB ASSY 2-15 CKT 41815 SERIES

| | Assy. Proc: | TOP ENTRY | Assy. Proc: | TOP ENTRY | Assy. Proc: | TOP ENTRY | Assy. Proc: | BOTTOM ENTRY |
|------|--------------|--------------------|--------------|-------------------|--------------|-------------------|--------------|-------------------|
| | Housing No: | 41815-N-AN | Housing No: | 41815-N-AN | Housing No: | 41815-N-AN | Housing No: | 41815-N-AN |
| | Options | WITH RAMP | Options | WITH RAMP | Options | WITH RAMP | Options | WITH RAMP |
| | Terminal No: | 2144-BA-A1AA-P909B | Terminal No: | 2144-BA-A1AA-197B | Terminal No: | 2144-BA-A1AA-208B | Terminal No: | 2188-1-208 |
| | Term Matl: | PHOS BRONZE | Term Matl: | PHOS BRONZE | Term Matl: | PHOS BRONZE | Term Matl: | BRASS |
| | Plating: | P909 – TIN | Plating: | 197 – TIN | Plating: | 208 – 15 GOLD | Plating: | 208 – 15 GOLD |
| | Dim C: | (3.05) / .120 | Dim C: | (3.05) / .120 | Dim C: | (3.05) / .120 | Dim C: | (3.18) / .125 |
| | Voids: | NONE | Voids: | NONE | Voids: | NONE | Voids: | TERMINAL VOID 2 |
| | Hooks Cut: | NO | Hooks Cut: | YES | Hooks Cut: | YES | Hooks Cut: | NO |
| | Packaging: | PK-41815-001 TRAY | Packaging: | PK-41815-001 TRAY | Packaging: | PK-41815-001 TRAY | Packaging: | PK-41815-001 TRAY |
| | | | | | | | | |
| Ckts | Material No | Engineer Number | Material No | Engineer Number | Material No | Engineer Number | Material No | Engineer Number |
| 2 | 09-48-2028 | A-41815-0509 | 09-48-5028 | A-41815-0523 | 09-48-1025 | A-41815-0537 | | |
| 3 | 09-48-2038 | A-41815-0510 | 09-48-5038 | A-41815-0524 | 09-48-1035 | A-41815-0538 | 41815-0551 | 41815-0551 |
| 4 | 09-48-2048 | A-41815-0511 | 09-48-5048 | A-41815-0525 | 09-48-1045 | A-41815-0539 | 41815-0552 | 41815-0552 |
| 5 | 09-48-2058 | A-41815-0512 | 09-48-5058 | A-41815-0526 | 09-48-1055 | A-41815-0540 | 41815-0553 | 41815-0553 |
| 6 | 09-48-2068 | A-41815-0513 | 09-48-5068 | A-41815-0527 | 09-48-1065 | A-41815-0541 | 41815-0554 | 41815-0554 |
| 7 | 09-48-2078 | A-41815-0514 | 09-48-5078 | A-41815-0528 | 09-48-1075 | A-41815-0542 | 41815-0555 | 41815-0555 |
| 8 | 09-48-2088 | A-41815-0515 | 09-48-5088 | A-41815-0529 | 09-48-1085 | A-41815-0543 | 41815-0556 | 41815-0556 |
| 9 | 09-48-2098 | A-41815-0516 | 09-48-5098 | A-41815-0530 | 09-48-1095 | A-41815-0544 | 41815-0557 | 41815-0557 |
| 10 | 09-48-2108 | A-41815-0517 | 09-48-5108 | A-41815-0531 | 09-48-1105 | A-41815-0545 | 41815-0558 | 41815-0558 |
| 11 | 09-48-2118 | A-41815-0518 | 09-48-5118 | A-41815-0532 | 09-48-1115 | A-41815-0546 | 41815-0559 | 41815-0559 |
| 12 | 09-48-2128 | A-41815-0519 | 09-48-5128 | A-41815-0533 | 09-48-1125 | A-41815-0547 | 41815-0560 | 41815-0560 |
| 13 | 09-48-2138 | A-41815-0520 | 09-48-5138 | A-41815-0534 | 09-48-1135 | A-41815-0548 | 41815-0561 | 41815-0561 |
| 14 | 09-48-2148 | A-41815-0521 | 09-48-5148 | A-41815-0535 | 09-48-1145 | A-41815-0549 | 41815-0562 | 41815-0562 |
| 15 | 09-48-2158 | A-41815-0522 | 09-48-5158 | A-41815-0536 | 09-48-1155 | A-41815-0550 | 41815-0563 | 41815-0563 |

| | | | |
|-------------------------|------------------------------|---|---------------------|
| REV: | ECR/ECN INFORMATION: | TITLE: | SHEET No. |
| AN4 | EC NO. 121254 | KK 156 HOUSING ASSY PCB 41815 SERIES DWG | - 8 - |
| | DATE: 8/30/2017 | | |
| DOCUMENT NUMBER: | CREATED / REVISED BY: | CHECKED BY: | APPROVED BY: |
| SDA-41815 | SS06 | SS06 | ISHWARG |



KK 156 PCB ASSY 2-15 CKT 41815 SERIES

| | | | | | | | |
|--------------|-------------------|--------------|-------------------|--------------|-------------------|--------------|-------------------|
| Assy. Proc: | BOTTOM ENTRY | Assy. Proc: | BOTTOM ENTRY | Assy. Proc: | RIGHT ANGLE | Assy. Proc: | TOP ENTRY |
| Housing No: | 41815-N-DN | Housing No: | 41815-N-DN | Housing No: | 41815-N-A15-7 | Housing No: | 41815-N-DN |
| Options | WITHOUT RAMPS | Options | WITHOUT RAMPS | Options | WITH RAMP | Options | WITHOUT RAMP |
| Terminal No: | 6298-1-197 | Terminal No: | 6298-1-197 | Terminal No: | 2144-BA-A1AA-197B | Terminal No: | 2144-BA-A1AA-197B |
| Term Matl: | PHOS BRONZE | Term Matl: | PHOS BRONZE | Term Matl: | PHOS BRONZE | Term Matl: | PHOS BRONZE |
| Plating: | 197 – TIN | Plating: | 197 – TIN | Plating: | 197 – TIN | Plating: | 197 – TIN |
| Dim C: | 3.18 / .125 | Dim C: | 3.18 / .125 | Dim C: | (3.68) / .145 | Dim C: | (3.05)/.120 |
| Voids: | NONE | Voids: | TERMINAL VOID 2 | Voids: | TERMINAL VOID 7 | Voids: | NONE |
| Hooks Cut: | NO | Hooks Cut: | NO | Hooks Cut: | NO | Hooks Cut: | YES |
| Packaging: | PK-41815-001 TRAY | Packaging: | PK-41815-001 TRAY | Packaging: | PK-41815-001 TRAY | Packaging: | PK-41815-001 TRAY |

| Ckts | Material No | Engineer Number | Material No | Engineer Number | Material No | Engineer Number | Material No | Engineer Number |
|------|-------------|-----------------|-------------|-----------------|-------------|-----------------|-------------|-----------------|
| 2 | 41815-0564 | A-41815-0564 | | | | | 41815-0601 | A-41815-0601 |
| 3 | 41815-0565 | A-41815-0565 | 41815-0579 | A-41815-0579 | | | 41815-0602 | A-41815-0602 |
| 4 | 41815-0566 | A-41815-0566 | 41815-0580 | A-41815-0580 | | | | |
| 5 | 41815-0567 | A-41815-0567 | 41815-0581 | A-41815-0581 | | | | |
| 6 | 41815-0568 | A-41815-0568 | 41815-0582 | A-41815-0582 | | | 41815-0605 | A-41815-0605 |
| 7 | 41815-0569 | A-41815-0569 | 41815-0583 | A-41815-0583 | | | | |
| 8 | 41815-0570 | A-41815-0570 | 41815-0584 | A-41815-0584 | | | | |
| 9 | 41815-0571 | A-41815-0571 | 41815-0585 | A-41815-0585 | | | | |
| 10 | 41815-0572 | A-41815-0572 | 41815-0586 | A-41815-0586 | | | | |
| 11 | 41815-0573 | A-41815-0573 | 41815-0587 | A-41815-0587 | | | | |
| 12 | 41815-0574 | A-41815-0574 | 41815-0588 | A-41815-0588 | | | | |
| 13 | 41815-0575 | A-41815-0575 | 41815-0589 | A-41815-0589 | | | | |
| 14 | 41815-0576 | A-41815-0576 | 41815-0590 | A-41815-0590 | | | | |
| 15 | 41815-0577 | A-41815-0577 | 41815-0591 | A-41815-0591 | 41815-0600 | A-41815-0600 | | |

| | | | | | | |
|------------------|------------|----------------------|-----------------------|------------------------|---|--------------|
| REV: | AN4 | ECR/ECN INFORMATION: | EC NO. 121254 | DATE: 8/30/2017 | TITLE: | SHEET No. |
| | | | | | KK 156 HOUSING ASSY PCB 41815 SERIES DWG | - 9 - |
| DOCUMENT NUMBER: | | | CREATED / REVISED BY: | | CHECKED BY: | |
| SDA-41815 | | | SS06 | | SS06 | |
| | | | | | APPROVED BY: ISHWARG | |



KK 156 PCB ASSY 2-15 CKT 41815 SERIES

| | | | | | | | |
|--------------|-------------------|--------------|--------------------|--------------|--------------------|--------------|-------------------|
| Assy. Proc: | RIGHT ANGLE | Assy. Proc: | TOP ENTRY | Assy. Proc: | RIGHT ANGLE | Assy. Proc: | BOTTOM ENTRY |
| Housing No: | 41815-N-DN | Housing No: | 41815-N-DN | Housing No: | 41815-N-AN | Housing No: | 41815-N-DN |
| Options | WITHOUT RAMP | Options | WITHOUT RAMP | Options | WITH RAMP | Options | WITHOUT RAMP |
| Terminal No: | 2144-BA-A1AA-197B | Terminal No: | 2144-AA-A1AA-P909B | Terminal No: | 2144-BA-A1AA-197B | Terminal No: | 6298-197 |
| Term Matl: | PHOS BRONZE | Term Matl: | BRASS | Term Matl: | PHOS BRONZE | Term Matl: | PHOS BRONZE |
| Plating: | 197 – TIN | Plating: | P909 – TIN | Plating: | 197 TIN | Plating: | 197 – TIN |
| Dim C: | (3.68) / .145 | Dim C: | (3.05) / .120 | Dim C: | (3.68) / .145 | Dim C: | (4.06) / .160 |
| Voids: | NONE | Voids: | NONE | Voids: | TERMINAL VOID 2, 4 | Voids: | NONE |
| Hooks Cut: | NO | Hooks Cut: | YES | Hooks Cut: | NO | Hooks Cut: | YES |
| Packaging: | PK-41815-001 TRAY | Packaging: | PK-41815-001 TRAY | Packaging: | PK-41815-001 TRAY | Packaging: | PK-41815-001 TRAY |

| Ckts | Material No | Engineer Number | Material No | Engineer Number | Material No | Engineer Number | Material No | Engineer Number |
|------|-------------|-----------------|-------------|-----------------|-------------|-----------------|-------------|-----------------|
| 2 | 41815-0630 | A-41815-0630 | | | | | 41815-0672 | A-41815-0672 |
| 3 | 41815-0631 | A-41815-0631 | | | | | | |
| 4 | 41815-0632 | A-41815-0632 | 41815-0646 | A-41815-0646 | | | 41815-0674 | A-41815-0674 |
| 5 | 41815-0633 | A-41815-0633 | | | 41815-0661 | A-41815-0661 | | |
| 6 | 41815-0634 | A-41815-0634 | | | | | | |
| 7 | 41815-0635 | A-41815-0635 | | | | | | |
| 8 | 41815-0636 | A-41815-0636 | | | | | | |
| 9 | 41815-0637 | A-41815-0637 | | | | | | |
| 10 | 41815-0638 | A-41815-0638 | | | | | | |
| 11 | 41815-0639 | A-41815-0639 | | | | | | |
| 12 | 41815-0640 | A-41815-0640 | | | | | | |
| 13 | 41815-0641 | A-41815-0641 | | | | | | |
| 14 | 41815-0642 | A-41815-0642 | | | | | | |
| 15 | 41815-0643 | A-41815-0643 | | | | | | |

| | | | | |
|------------------|------------------------|-------------|---|-----------|
| REV: | ECR/ECN INFORMATION: | TITLE: | KK 156 HOUSING ASSY PCB 41815 SERIES DWG | SHEET No. |
| AN4 | EC NO. 121254 | | | - 10 - |
| | DATE: 8/30/2017 | | | |
| DOCUMENT NUMBER: | CREATED / REVISED BY: | CHECKED BY: | APPROVED BY: | |
| SDA-41815 | SS06 | SS06 | ISHWARG | |



KK 156 PCB ASSY 2-15 CKT 41815 SERIES

| | |
|--------------|-------------------|
| Assy. Proc: | RIGHT ANGLE |
| Housing No: | 41815-N-AN |
| Options | WITH RAMP |
| Terminal No: | 2144-BA-A1AA-197B |
| Term Matl: | PHOS BRONZE |
| Plating: | 197 TIN |
| Dim C: | (3.68) / .145 |
| Voids: | TERMINAL VOID 2 |
| Hooks Cut: | NO |
| Packaging: | PK-41815-001 TRAY |

| | |
|--------------|--|
| Assy. Proc: | |
| Housing No: | |
| Options | |
| Terminal No: | |
| Term Matl: | |
| Plating: | |
| Dim C: | |
| Voids: | |
| Hooks Cut: | |
| Packaging: | |

| | |
|--------------|--|
| Assy. Proc: | |
| Housing No: | |
| Options | |
| Terminal No: | |
| Term Matl: | |
| Plating: | |
| Dim C: | |
| Voids: | |
| Hooks Cut: | |
| Packaging: | |

| | |
|--------------|--|
| Assy. Proc: | |
| Housing No: | |
| Options | |
| Terminal No: | |
| Term Matl: | |
| Plating: | |
| Dim C: | |
| Voids: | |
| Hooks Cut: | |
| Packaging: | |

| Ckts | Material No | Engineer Number | Material No | Engineer Number | Material No | Engineer Number | Material No | Engineer Number |
|------|-------------|-----------------|-------------|-----------------|-------------|-----------------|-------------|-----------------|
| 2 | | | | | | | | |
| 3 | 41815-0687 | A-41815-0687 | | | | | | |
| 4 | | | | | | | | |
| 5 | | | | | | | | |
| 6 | | | | | | | | |
| 7 | | | | | | | | |
| 8 | | | | | | | | |
| 9 | | | | | | | | |
| 10 | | | | | | | | |
| 11 | | | | | | | | |
| 12 | | | | | | | | |
| 13 | | | | | | | | |
| 14 | | | | | | | | |
| 15 | | | | | | | | |

| | | | | | | | | | |
|------------------|------|--|-----------------------|-----------|---|--|----------------|---------------|--|
| AN4 | REV: | | ECR/ECN INFORMATION: | | TITLE: | | | SHEET No. | |
| | | | EC NO. | 121254 | KK 156 HOUSING ASSY PCB 41815 SERIES DWG | | | - 11 - | |
| | | | DATE: | 8/30/2017 | | | | | |
| DOCUMENT NUMBER: | | | CREATED / REVISED BY: | | CHECKED BY: | | APPROVED BY: | | |
| SDA-41815 | | | SS06 | | SS06 | | ISHWARG | | |

X-ON Electronics

Largest Supplier of Electrical and Electronic Components

Click to view similar products for [Headers & Wire Housings](#) category:

Click to view products by [Molex](#) manufacturer:

Other Similar products are found below :

[892-18-020-10-001101](#) [58102-G61-06LF](#) [582553-1](#) [0009485154](#) [009176003701906](#) [0050291907](#) [LY20-4P-DT1-P1E-BR](#) [02.125.8002.8](#)
[609-3404](#) [61062-3](#) [622-0430](#) [622-3653LF](#) [63453-116](#) [636-1030](#) [636-1427](#) [636-3427](#) [636-4007](#) [641938-9](#) [641991-4](#) [644827-2](#) [65817-010LF](#)
[65817-015LF](#) [65863-015LF](#) [66207-023LF](#) [67095-007LF](#) [67601157](#) [68648-049](#) [70.362.1628.0](#) [70-4210](#) [70-4226B](#) [70-4853B](#) [707-5020](#) [707-5028](#) [71.350.2428.0](#) [71918-208LF](#) [71961-016LF](#) [733-134](#) [733-162](#) [754199-000](#) [760-3052](#) [787-8014-00](#) [79531-3000](#) [FCN-360C032-B](#) [FCN-367T-T012/H](#) [FCN-723D010/2](#) [80.063.4001.1](#) [800-90-001-10-001000](#) [800-90-010-10-002000](#) [801-43-002-10-013000](#) [801-43-006-10-002000](#)