

FEATURES AND SPECIFICATIONS

Features and Benefits

- Sizes 2 to 11 circuits
- With locking ramp
- Second circuits blanked for polarization
- Molded pull tab
- Molded-in locking arm for terminal

Reference Information

Packaging: Bag
 UL File No.: E29179
 CSA File No.: LR19980
 Mates With: 5275-NA, 5276-NA, 5277-NA and
 5278-NA headers
 Use With: 5194 and 5225
 Designed In: Millimeters

Electrical

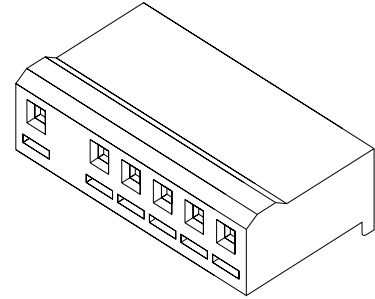
Voltage: 250V
 Current: 5194—7.0A
 5225—4.0A
 Contact Resistance: 10mΩ max.
 Dielectric Withstanding Voltage: 1500V AC/1 min.
 Insulation Resistance: 1000 MΩ min.

Physical

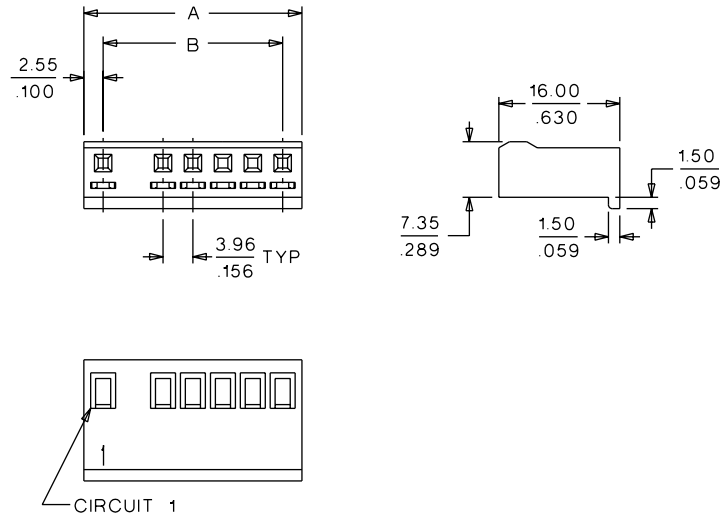
Housing: 6/6 nylon, UL 94V-2
 Operating Temperature: -40 to +105°C

molex® 3.96mm (.156") Pitch SPOX™ Crimp Terminal Housing

5196-N



CATALOG DRAWING (FOR REFERENCE ONLY)



3.00 to 7.92mm (.118 to .312") Pitch

ORDERING INFORMATION AND DIMENSIONS

Circuits	Order No.	Dimension	
		A	B
2	09-50-1023	13.02 (.512)	7.92 (.312)
3	09-50-1033	16.98 (.669)	11.88 (.467)
4	09-50-1043	20.94 (.824)	15.84 (.623)
5	09-50-1053	24.90 (.980)	19.80 (.779)
6	09-50-1063	28.86 (1.136)	23.76 (.935)
7	09-50-1073	32.82 (1.292)	27.72 (1.091)
8	09-50-1083	36.78 (1.448)	31.68 (1.247)
9	09-50-1093	40.74 (1.604)	35.64 (1.403)
10	09-50-1103	44.70 (1.760)	39.60 (1.559)
11	09-50-1113	48.66 (1.916)	43.56 (1.714)

DWG. NO. SD-5196-N

E

D

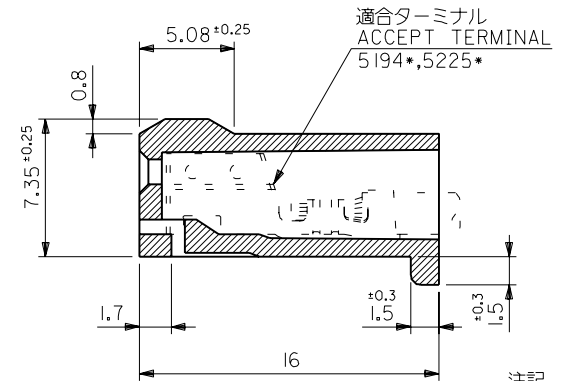
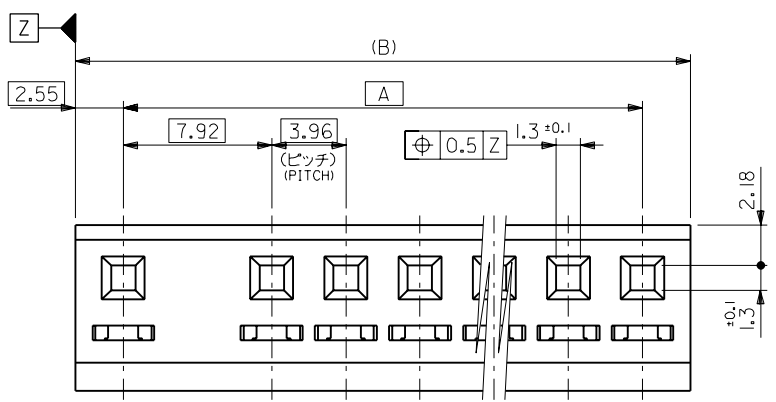
C

B

A

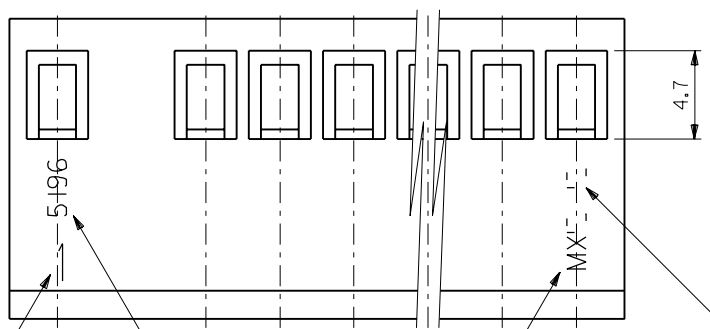
DIMENSIONS IN METRIC DO NOT SCALE DRAWING

8 7 6 5 4 3 2



注記 NOTES

1. 各部の反り WARPING
2. サーマット CIRCUIT



サーキットNO. CIRCUIT NO.

ENG. NO.

トレードマーク TRADE MARK

キャビティNO. CAVITY NO.

48.66	43.56	09-50-1113
44.7	39.6	↑ -1103
40.74	35.64	-1093
36.78	31.68	-1083
32.82	27.72	-1073
28.86	23.76	-1063
24.9	19.8	-1053
20.94	15.84	-1043
16.98	11.88	↓ -1033
13.02	7.92	09-50-1023
B	A	EDP. NO.

角度 ANGLE	±3°						材料 MATERIAL	ナイロン66, UL94V-2 色: オフホワイト NYLON66, UL94V-2 COLOR: OFFWHITE	モ
30以上 OVER	+0.3						仕上げ FINISH	—	REV
10以上 OVER 30未滿 UNDER	+0.25						適用電線範囲 WIRE RANGE	—	TITL
10未滿 UNDER	+0.2						被覆外径 INS. RANGE	—	SP
一般公差 GENERAL TOLERANCES		記号 LTR	変更内容 REVISION RECORD	DR. H	日付 DATE	CHK. H.H	DRAWN BY '92/9/7 M.FUJIKURA	CHK'D BY '92/9/8 H.HIRAMOTO	DWG.
			変更 & 再作図 (J20810) REVISED & REDRAWN	M.F	'92/9/8	H.H	APP'D BY '92/9/8 M.FUKUSHIMA	尺度 SCALE	4 - 1

THIS DRAWING CONTAINS INFORMATION THAT IS PROPRIETARY TO MOLEX/JAPAN AND SHOULD NOT BE USED FOR ANY OTHER PURPOSES WITHOUT THE WRITTEN PERMISSION OF MOLEX/JAPAN. THIS DRAWING IS THE PROPERTY OF MOLEX/JAPAN AND SHOULD NOT BE REPRODUCED OR TRANSMITTED IN ANY FORM OR BY ANY MEANS, ELECTRONIC OR MECHANICAL, INCLUDING PHOTOCOPYING, RECORDING, OR BY ANY INFORMATION STORAGE AND RETRIEVAL SYSTEM.

8 7 6 5 4 3 2

X-ON Electronics

Largest Supplier of Electrical and Electronic Components

Click to view similar products for [Headers & Wire Housings](#) category:

Click to view products by [Molex](#) manufacturer:

Other Similar products are found below :

[892-18-020-10-001101](#) [58102-G61-06LF](#) [582553-1](#) [0009485154](#) [009176003701906](#) [0050291907](#) [LY20-4P-DT1-P1E-BR](#) [02.125.8002.8](#)
[609-3404](#) [61062-3](#) [622-0430](#) [622-3653LF](#) [63453-116](#) [636-1030](#) [636-1427](#) [636-3427](#) [636-4007](#) [641938-9](#) [641991-4](#) [644827-2](#) [65817-010LF](#)
[65817-015LF](#) [65863-015LF](#) [66207-023LF](#) [67095-007LF](#) [67601157](#) [68648-049](#) [70.362.1628.0](#) [70-4210](#) [70-4226B](#) [70-4853B](#) [707-5020](#) [707-](#)
[5028](#) [71.350.2428.0](#) [71918-208LF](#) [71961-016LF](#) [733-134](#) [733-162](#) [754199-000](#) [760-3052](#) [787-8014-00](#) [79531-3000](#) [FCN-360C032-B](#) [FCN-](#)
[367T-T012/H](#) [FCN-723D010/2](#) [80.063.4001.1](#) [800-90-001-10-001000](#) [800-90-010-10-002000](#) [801-43-002-10-013000](#) [801-43-006-10-002000](#)