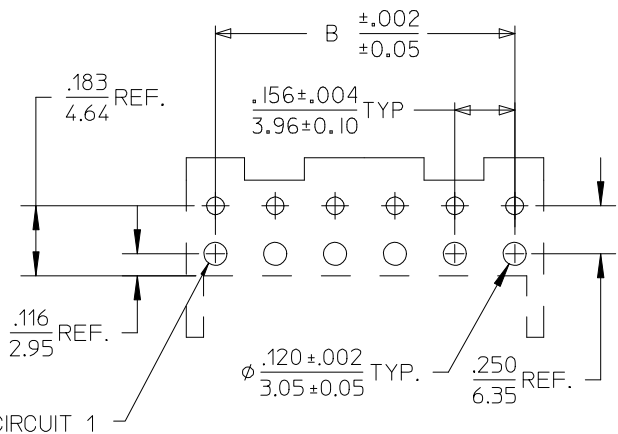


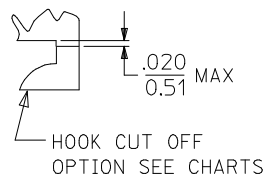
NOTES:

- HOUSING MATERIAL: NYLON, UL 94V-2
- FINISH:
 - (909) = OVERALL HOT TIN DIP: .000100/0.00254 MIN.
 - (197) = OVERALL REFLOWED MATTE TIN: 0.00152/.000060 MIN. OVER 0.00127/.000050 MIN. NICKEL OVERALL.
 - (208) = SELECT GOLD: .000015/0.00038 MIN. SELECT TIN: .000100/0.00254 MIN. OVERALL NICKEL UNDERPLATE: .000050/0.00127 MIN.
- PRODUCT SPECIFICATION: PS-08-50
- PACKAGING INFO: SEE CHARTS
- SOLDERABILITY SPECIFICATION: SMES-152
- RIGHT ANGLE OPTIONS SEE DRAWING SDA-2145-001
- BOTTOM ENTRY OPTIONS SEE DRAWING SDA-2145-003
- .183/4.64 DIMENSION IS BOTTOM OF HOUSING TO CENTER OF MATING PIN AND DOES NOT REFLECT CENTER OF CONNECTOR HOUSING WINDOW DIMENSION.
- THIS PART CONFORMS TO CLASS B REQUIREMENTS OF COSMETIC SPECIFICATION PS-45499-002.
- DIMENSION "C" MEASURED WITH TERMINAL PUSHED IN AGAINST THE STOP.



| CKT | A | B | CENTER HOOK(S) LOCATED BETWEEN CIRCUITS |
|-----|----------------|--------------------------|---|
| 02 | .308 7.82 | .156±.005 3.96±0.13 | NONE |
| 03 | .464 11.79 | .312±.005 7.92±0.13 | NONE |
| 04 | .620 15.75 | .468±.005 11.89±0.13 | NONE |
| 05 | .776 19.71 | .624±.005 15.85±0.13 | NONE |
| 06 | .932 23.67 | .780±.005 19.81±0.13 | NONE |
| 07 | 1.088 27.64 | .936±.010 23.77±0.25 | NONE |
| 08 | 1.244 31.60 | 1.092±.010 27.74±0.25 | 4 & 5 |
| 09 | 1.400 35.56 | 1.248±.010 31.70±0.25 | 4 & 5 |
| 10 | 1.556 39.52 | 1.404±.010 35.66±0.25 | 5 & 6 |
| 11 | 1.712 43.48 | 1.560±.010 39.62±0.25 | 5 & 6 |
| 12 | 1.868 47.45 | 1.716±.010 43.59±0.25 | 4 & 5, 8 & 9 |
| 13 | 2.024 51.41 | 1.872±.010 47.55±0.25 | 6 & 7, 11 & 12 |
| 14 | 2.180 55.37 | 2.028±.014 51.51±0.36 | 5 & 6, 9 & 10 |
| 15 | 2.336 59.33 | 2.184±.014 55.47±0.36 | 5 & 6, 10 & 11 |

| | |
|------|------|
| 2-4 | AA |
| 1 | AA |
| SHT. | REV. |



| | |
|---------------------|------------|
| DIM "C" TOLERANCE | |
| EC NO: UCP2016-2492 | 2015/12/17 |
| DRWN:GES | 2016/01/27 |
| CHKD:MKLIPPER | 2016/08/25 |
| APPR:FSMITH | |
| DESCRIPTION | |
| REV | |
| AA | |

| |
|-----------------|
| QUALITY SYMBOLS |
| ▽ = 0 |
| ▽ = 0 |
| ▽ = 0 |

| | | |
|--|--------|--------|
| GENERAL TOLERANCES (UNLESS SPECIFIED) | | |
| | mm | INCH |
| 4 PLACES | ± --- | ± --- |
| 3 PLACES | ± --- | ± .010 |
| 2 PLACES | ± 0.25 | ± .014 |
| 1 PLACE | ± 0.36 | ± --- |
| 0 PLACE | ± --- | ± --- |
| ANGULAR ±1/2° | | |
| DRAFT WHERE APPLICABLE MUST REMAIN WITHIN DIMENSIONS | | |

| | |
|-----------------------|------------|
| DIMENSION STYLE IN/MM | |
| DRAWN BY | DATE |
| SAMIEC | 2003/01/16 |
| CHECKED BY | DATE |
| SAMIEC | 2003/01/16 |
| APPROVED BY | DATE |
| FSMITH | 2016/08/25 |
| MATERIAL NO. | |
| SEE CHART | |
| SIZE | |
| A | |

| | | | |
|---|--------------|------------------------|-----------|
| SCALE | DESIGN UNITS | THIRD ANGLE PROJECTION | |
| | INCH | | |
| TITLE | | | |
| KK 156 HOUSING ASSY PC TAIL TOP ENTRY | | | |
| molex | | | |
| DOCUMENT NO. | | | SHEET NO. |
| SDA-2145-002 | | | 1 OF 4 |
| THIS DRAWING CONTAINS INFORMATION THAT IS PROPRIETARY TO MOLEX INCORPORATED AND SHOULD NOT BE USED WITHOUT WRITTEN PERMISSION | | | |



KK 156 PCB ASSY 2-15 CKT

2145 TOP ENTRY SERIES

| OPTIONS | RAMPS | YES | RAMPS | YES |
|---------|--------------|---------------------|--------------|---------------------|
| | HOOKS CUT: | NO | HOOKS CUT: | NO |
| | COLOR: | WHITE | COLOR: | WHITE |
| | MOLD VOID: | NONE | MOLD VOID: | NONE |
| | TERM MATL: | PHOS BRONZE | TERM MATL: | PHOS BRONZE |
| | CONTACT: | STANDARD | CONTACT: | STANDARD |
| | PC TAIL (C): | .120 / 3.05 | PC TAIL (C): | .120 / 3.05 |
| | PLT CODE: | 197 – TIN | PLT CODE: | 208 – 15 GOLD |
| | TERM VOID: | NONE | TERM VOID: | NONE |
| | PACKAGING: | TRAY PK-2145-001 | PACKAGING: | TRAY PK-2145-001 |
| Ckt | Material No | Material No | | |
| 2 | 09-62-6025 | 09-62-4029 | | |
| 3 | 09-62-6035 | 09-62-4039 | | |
| 4 | 09-62-6045 | 09-62-4049 | | |
| 5 | 09-62-6055 | 09-62-4059 | | |
| 6 | 09-62-6065 | 09-62-4069 | | |
| 7 | 09-62-6075 | 09-62-4079 | | |
| 8 | 09-62-6085 | 09-62-4089 | | |
| 9 | 09-62-6095 | 09-62-4099 | | |
| 10 | 09-62-6105 | 09-62-4109 | | |
| 11 | 09-62-6115 | 09-62-4119 | | |
| 12 | 09-62-6125 | 09-62-4129 | | |
| 13 | 09-62-6135 | 09-62-4139 | | |
| 14 | 09-62-6145 | 09-62-4149 | | |
| 15 | 09-62-6155 | 09-62-4159 | | |

| | | | |
|--|--|---|--------------------------------------|
| REV: AA | CLARIFY HOOKS ECM 107740 08/22/2016 | TITLE: KK 156 PCB ASSY 2145 TOP ENTRY SERIES | SHEET No. - 2 - |
| DOCUMENT NUMBER: SDA-2145-002 | CREATED / REVISED BY: MKIPPER | CHECKED BY: JBELL | APPROVED BY: FSMITH |



KK 156 PCB ASSY 2-15 CKT

2145 TOP ENTRY SERIES

| OPTIONS | RAMPS | YES | RAMPS | YES | RAMPS | YES | RAMPS | YES |
|---------|--------------|---------------------|--------------|---------------------|--------------|---------------------|--------------|---------------------|
| | HOOKS CUT: | NO | HOOKS CUT: | NO | HOOKS CUT: | YES | HOOKS CUT: | NO |
| | COLOR: | WHITE | COLOR: | WHITE | COLOR: | WHITE | COLOR: | WHITE |
| | MOLD VOID: | NONE | MOLD VOID: | NONE | MOLD VOID: | NONE | MOLD VOID: | NONE |
| | TERM MATL: | BRASS | TERM MATL: | BRASS | TERM MATL: | BRASS | TERM MATL: | BRASS |
| | CONTACT: | STANDARD | CONTACT: | STANDARD | CONTACT: | STANDARD | CONTACT: | STANDARD |
| | PC TAIL (C): | .120 / 3.05 | PC TAIL (C): | .189 / 4.80 | PC TAIL (C): | .120 / 3.05 | PC TAIL (C): | .120 / 3.05 |
| | PLT CODE: | 197 – TIN | PLT CODE: | P909 – TIN | PLT CODE: | P909 – TIN | PLT CODE: | P909 – TIN |
| | TERM VOID: | NONE | TERM VOID: | NONE | TERM VOID: | NONE | TERM VOID: | NONE |
| | PACKAGING: | TRAY PK-2145-001 | PACKAGING: | TRAY PK-2145-001 | PACKAGING: | TRAY PK-2145-001 | PACKAGING: | TRAY PK-2145-001 |
| Ckt | Material No | | Material No | | Material No | | Material No | |
| 2 | 09-52-1023 | | 09-52-1029 | | | | 09-52-3023 | |
| 3 | 09-52-1033 | | 09-52-1039 | | 09-52-3034 | | 09-52-3033 | |
| 4 | 09-52-1043 | | 09-52-1049 | | 09-52-3044 | | 09-52-3043 | |
| 5 | 09-52-1053 | | 09-52-1059 | | 09-52-3054 | | 09-52-3053 | |
| 6 | 09-52-1063 | | 09-52-1069 | | 09-52-3064 | | 09-52-3063 | |
| 7 | 09-52-1073 | | 09-52-1079 | | | | 09-52-3073 | |
| 8 | 09-52-1083 | | 09-52-1089 | | 09-52-3089 | | 09-52-3083 | |
| 9 | 09-52-1093 | | 09-52-1099 | | 09-52-3094 | | 09-52-3093 | |
| 10 | 09-52-1103 | | 09-52-1109 | | | | 09-52-3103 | |
| 11 | 09-52-1113 | | 09-52-1119 | | | | 09-52-3113 | |
| 12 | 09-52-1123 | | 09-52-1129 | | | | 09-52-3123 | |
| 13 | 09-52-1133 | | 09-52-1139 | | | | 09-52-3133 | |
| 14 | 09-52-1143 | | 09-52-1149 | | | | 09-52-3143 | |
| 15 | 09-52-1153 | | 09-52-1159 | | | | 09-52-3153 | |

| | | | | | | | |
|-------------------------|--|------------------------------|--|----------------------------------|--------------|---------------------|---------------|
| REV: | CLARIFY HOOKS ECM 107740 08/22/2016 | TITLE: | KK 156 PCB ASSY 2145 TOP ENTRY SERIES | <u>SHEET No.</u> - 3 - | | | |
| AA | | | | | | | |
| <u>DOCUMENT NUMBER:</u> | SDA-2145-002 | <u>CREATED / REVISED BY:</u> | MKIPPER | <u>CHECKED BY:</u> | JBELL | <u>APPROVED BY:</u> | FSMITH |



KK 156 PCB ASSY 2-15 CKT

2145 TOP ENTRY SERIES

| OPTIONS | RAMPS | NO | RAMPS | YES | RAMPS | YES | | |
|---------|--------------|---------------------|--------------|---------------------|--------------|---------------------|--|--|
| | HOOKS CUT: | YES | HOOKS CUT: | NO | HOOKS CUT: | NO | | |
| | COLOR: | WHITE | COLOR: | WHITE | COLOR: | WHITE | | |
| | MOLD VOID: | NONE | MOLD VOID: | NONE | MOLD VOID: | NONE | | |
| | TERM MATL: | BRASS | TERM MATL: | BRASS | TERM MATL: | PHOS BRONZE | | |
| | CONTACT: | STANDARD | CONTACT: | STANDARD | CONTACT: | STANDARD | | |
| | PC TAIL (C): | .120 / 3.05 | PC TAIL (C): | .120 / 3.05 | PC TAIL (C): | .120 / 3.05 | | |
| | PLT CODE: | P909 – TIN | PLT CODE: | 208 – 15 GOLD | PLT CODE: | P909 – TIN | | |
| | TERM VOID: | NONE | TERM VOID: | NONE | TERM VOID: | NONE | | |
| | PACKAGING: | TRAY PK-2145-001 | PACKAGING: | TRAY PK-2145-001 | PACKAGING: | TRAY PK-2145-001 | | |
| | | | | | | | | |
| Ckt | Material No | | Material No | | Material No | | | |
| 2 | 09-52-1025 | | 09-62-3023 | | 09-52-2029 | | | |
| 3 | 09-52-1035 | | 09-62-3033 | | 09-52-2039 | | | |
| 4 | 09-52-1045 | | 09-62-3043 | | 09-52-2049 | | | |
| 5 | 09-52-1055 | | 09-62-3053 | | 09-52-2059 | | | |
| 6 | 09-52-1065 | | 09-62-3063 | | 09-52-2069 | | | |
| 7 | 09-52-1075 | | 09-62-3073 | | 09-52-2079 | | | |
| 8 | 09-52-1085 | | 09-62-3083 | | 09-52-2089 | | | |
| 9 | 09-52-1095 | | 09-62-3093 | | 09-52-2099 | | | |
| 10 | 09-52-1105 | | 09-62-3103 | | 09-52-2109 | | | |
| 11 | 09-52-1115 | | 09-62-3113 | | 09-52-2119 | | | |
| 12 | 09-52-1125 | | 09-62-3123 | | 09-52-2129 | | | |
| 13 | 09-52-1135 | | 09-62-3133 | | 09-52-2139 | | | |
| 14 | 09-52-1145 | | 09-62-3143 | | 09-52-2149 | | | |
| 15 | 09-52-1155 | | 09-62-3153 | | 09-52-2159 | | | |

| | | | | | | | |
|-------------------------|--|------------------------------|--|----------------------------------|--------------|---------------------|---------------|
| REV: | CLARIFY HOOKS ECM 107740 08/22/2016 | TITLE: | KK 156 PCB ASSY 2145 TOP ENTRY SERIES | <u>SHEET No.</u> - 4 - | | | |
| AA | | | | | | | |
| <u>DOCUMENT NUMBER:</u> | SDA-2145-002 | <u>CREATED / REVISED BY:</u> | MKIPPER | <u>CHECKED BY:</u> | JBELL | <u>APPROVED BY:</u> | FSMITH |

X-ON Electronics

Largest Supplier of Electrical and Electronic Components

Click to view similar products for [Headers & Wire Housings](#) category:

Click to view products by [Molex](#) manufacturer:

Other Similar products are found below :

[892-18-020-10-001101](#) [58102-G61-06LF](#) [582553-1](#) [0009485154](#) [009176003701906](#) [0050291907](#) [LY20-4P-DT1-P1E-BR](#) [02.125.8002.8](#)
[609-3404](#) [61062-3](#) [622-0430](#) [622-3653LF](#) [63453-116](#) [636-1030](#) [636-1427](#) [636-3427](#) [636-4007](#) [641938-9](#) [641991-4](#) [644827-2](#) [65817-010LF](#)
[65817-015LF](#) [65863-015LF](#) [66207-023LF](#) [67095-007LF](#) [67601157](#) [68648-049](#) [70.362.1628.0](#) [70-4210](#) [70-4226B](#) [70-4853B](#) [707-5020](#) [707-5028](#) [71.350.2428.0](#) [71918-208LF](#) [71961-016LF](#) [733-134](#) [733-162](#) [754199-000](#) [760-3052](#) [787-8014-00](#) [79531-3000](#) [FCN-360C032-B](#) [FCN-367T-T012/H](#) [FCN-723D010/2](#) [80.063.4001.1](#) [800-90-001-10-001000](#) [800-90-010-10-002000](#) [801-43-002-10-013000](#) [801-43-006-10-002000](#)