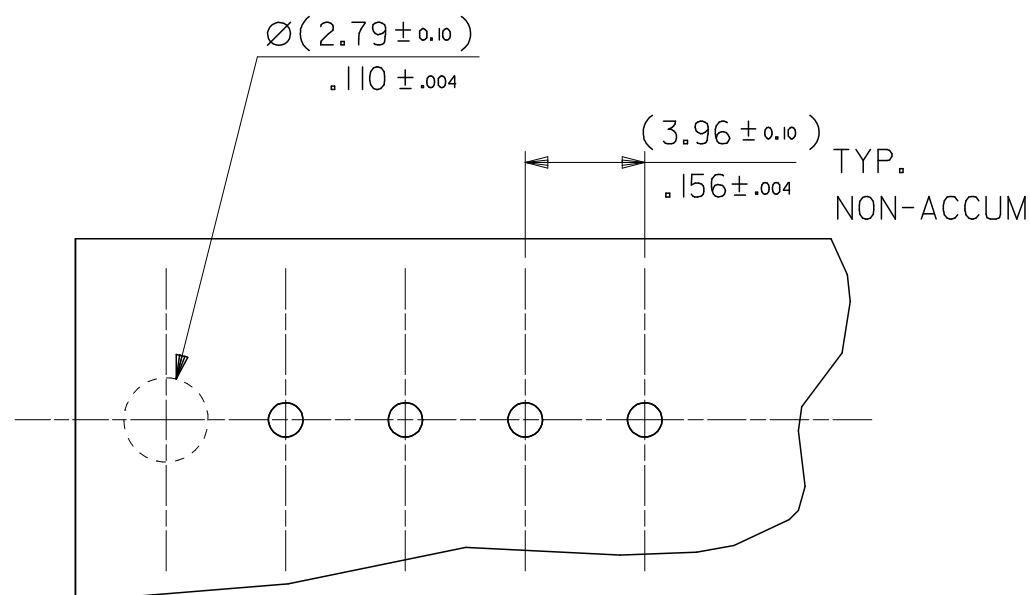
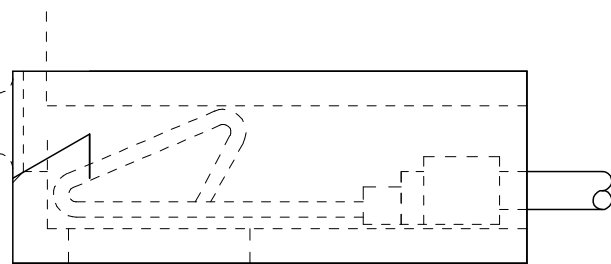
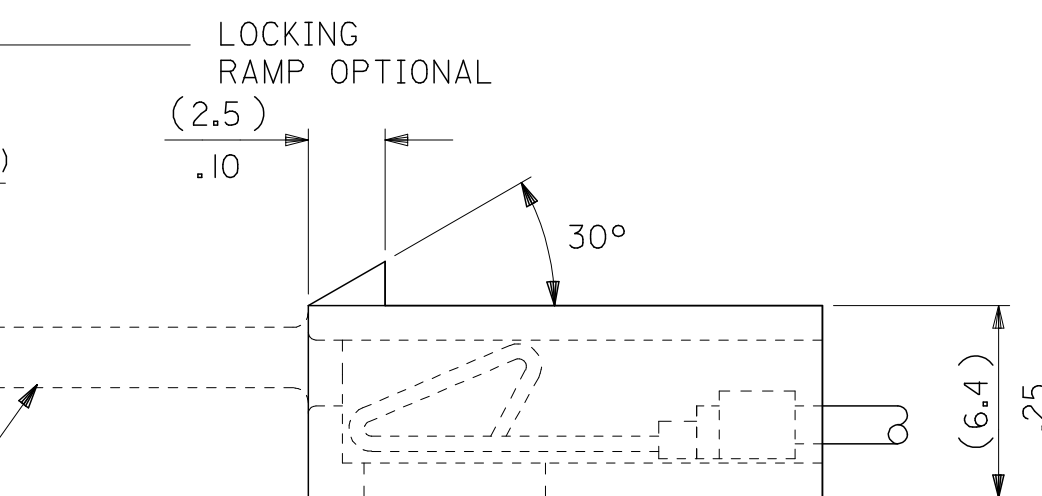
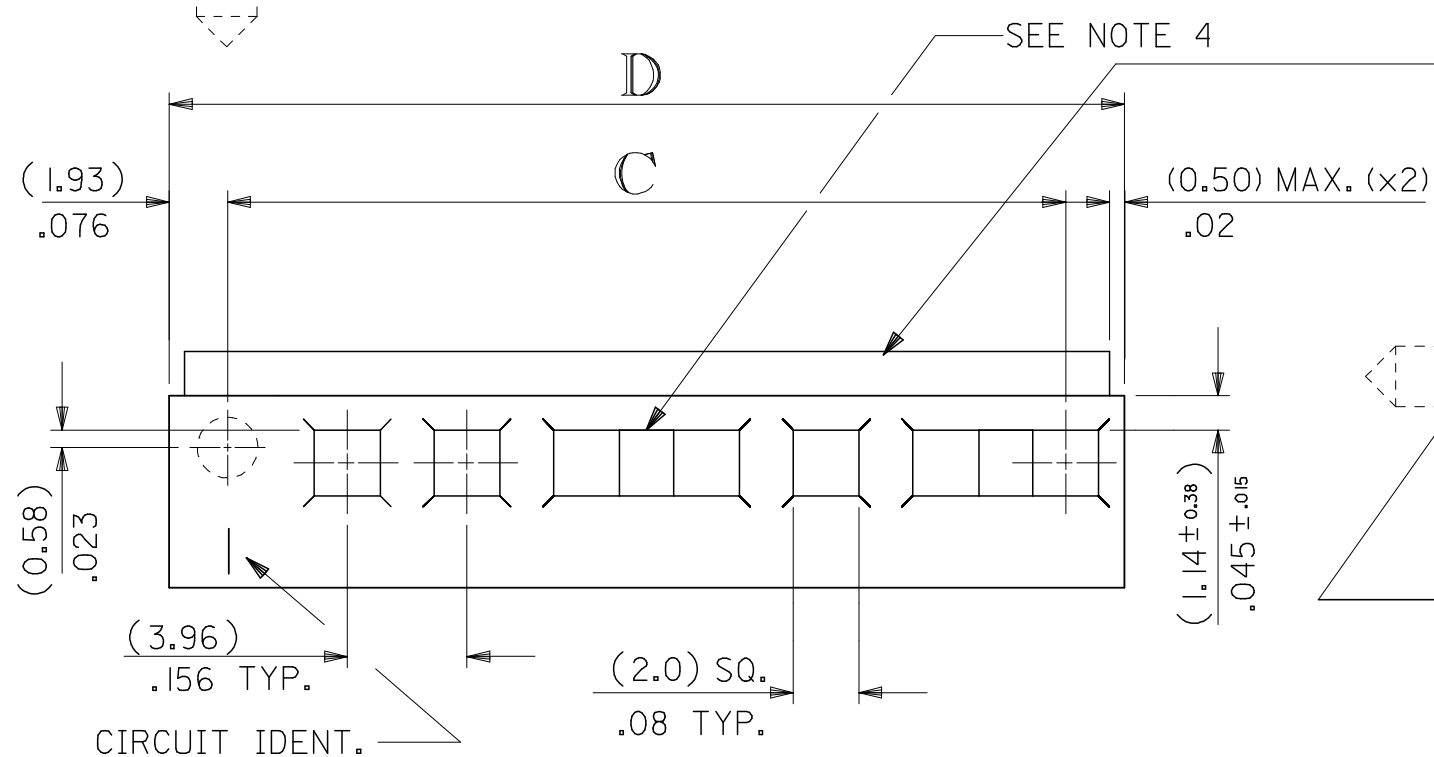


OPTIONAL WINDOW DETAIL



RECOMMENDED P/C BOARD



OPTIONAL PEG IN POSITION No. 1 ONLY

DIRECTION OF TERMINAL INSERTION.

ENG. No. DESIGNATION

3069 - A N 2 P

"A" DESIGNATES NYLON 6/6, 94V-0 COLOUR RED
 "BLANK" DESIGNATES NYLON 6/6
 "B" DESIGNATES NYLON 6/6, 94V-0 COLOUR WHITE

"P" INDICATES HOUSING WITH PEG
 "BLANK" INDICATES HOUSING WITHOUT PEG.

"2" INDICATES HOUSING WITHOUT RAMP
 "BLANK" INDICATES HOUSING WITH RAMP

NO. OF CKT'S

No. OF CCTS.	C	D	No. OF CCTS.	C	D
14	(51.51 ± 0.36) 2.028 ± .014	(55.37 ± 0.36) 2.180 ± .014	2	(3.96 ± 0.15) .156 ± .005	(7.82 ± 0.25) .308 ± .010
15	(55.47 ± 0.36) 2.184 ± .014	(59.33 ± 0.36) 2.336 ± .014	3	(7.92 ± 0.15) .312 ± .005	(11.79 ± 0.25) .464 ± .010
16	(59.44 ± 0.36) 2.340 ± .014	(63.30 ± 0.36) 2.492 ± .014	4	(11.89 ± 0.15) .468 ± .005	(15.75 ± 0.25) .620 ± .010
17	(63.40 ± 0.36) 2.496 ± .014	(67.26 ± 0.36) 2.648 ± .014	5	(15.85 ± 0.15) .624 ± .005	(19.71 ± 0.25) .776 ± .010
18	(67.36 ± 0.36) 2.652 ± .014	(71.22 ± 0.36) 2.804 ± .014	6	(19.81 ± 0.15) .780 ± .005	(23.67 ± 0.25) .932 ± .010
19	(71.32 ± 0.36) 2.808 ± .014	(75.18 ± 0.36) 2.960 ± .014	7	(23.77 ± 0.15) .936 ± .005	(27.64 ± 0.31) 1.088 ± .012
20	(75.29 ± 0.36) 2.964 ± .014	(79.15 ± 0.46) 3.116 ± .018	8	(27.74 ± 0.25) 1.092 ± .010	(31.60 ± 0.31) 1.244 ± .012
			9	(31.70 ± 0.25) 1.248 ± .010	(35.56 ± 0.31) 1.400 ± .012
			10	(35.66 ± 0.25) 1.404 ± .010	(39.52 ± 0.31) 1.556 ± .012
			11	(39.62 ± 0.25) 1.560 ± .010	(43.48 ± 0.31) 1.712 ± .012
			12	(43.59 ± 0.25) 1.716 ± .010	(47.45 ± 0.31) 1.868 ± .012
			13	(47.55 ± 0.31) 1.872 ± .012	(51.41 ± 0.36) 2.024 ± .014

NOTES:

- 1) SIMILAR TO 2139-N EXCEPT WITH POLARIZING PEG.
- 2) FOR USE WITH TERMINAL No. 2478 OR 2578
- 3) ASSEMBLED CONNECTOR MATES WITH (.14)/.045 SQUARE OR ROUND PIN.
- 4) EXTENDED PIN ENTRY WINDOWS ARE POSSIBLE.

CORRECT TEXT LOC EC NO: E2007-0720 DRAWN: DWASZK LEWICZ 2007/03/28 CHK'D: D. MORIARTY 2007/03/29 APPR: J. DENNEHY 2007/04/04	REV	DESCRIPTION	QUALITY SYMBOLS =0 =0	GENERAL TOLERANCES (UNLESS SPECIFIED)		DIMENSION STYLE MM/IN		SCALE 4:1	DESIGN UNITS METRIC	THIRD ANGLE PROJECTION	
				mm	INCH	DRAWN BY SM	DATE 1990/04/06	TITLE HOUSING, KK CONNECTOR (3.96)/.156 CRIMP PEG/VOID OPTIONAL			
				4 PLACES ± ---	± ---	CHECKED BY E. FOLAN	DATE 2000/08/30				
				3 PLACES ± ---	± .010	APPROVED BY MWILHITE	DATE 2000/08/30	MOLEX INCORPORATED			
2 PLACES ± 0.25	± .014	MATERIAL NO.	DOCUMENT NO.	SHEET NO.							
1 PLACE ± 0.35	± ---	DRAFT WHERE APPLICABLE MUST REMAIN WITHIN DIMENSIONS		SEE CHART		SD-3069-N***		1 OF 2			
ANGULAR ± 2 °		SIZE A 2		THIS DRAWING CONTAINS INFORMATION THAT IS PROPRIETARY TO MOLEX INCORPORATED AND SHOULD NOT BE USED WITHOUT WRITTEN PERMISSION							

No. OF CCTS.	ENG. No.	PART No.	LOCKING RAMP	No. OF CCTS.	ENG. No.	PART No.	LOCKING RAMP	No. OF CCTS.	ENG. No.	PART No.	LOCKING RAMP
2	3069-A02	09-26-0200	YES	2	3069-02	09-91-0200	YES	18	3069-18	09-91-1800	YES
	↑ -A022	↑ -27-0200	NO		↑ -022	↑ -92-0200	NO		↑ -182	↑ -92-1800	NO
3	-A03	-26-0300	YES	3	-03	-91-0300	YES	19	-19	-91-1900	YES
	-A032	-27-0300	NO		-032	-92-0300	NO		-192	-92-1900	NO
4	-A04	-26-0400	YES	4	-04	-91-0400	YES	20	↓ -20	↓ -91-2000	YES
	-A042	-27-0400	NO		-042	-92-0400	NO		3069-202	09-92-2000	NO
5	-A05	-26-0500	YES	5	-05	-91-0500	YES				
	-A052	-27-0500	NO		-052	-92-0500	NO				
6	-A06	-26-0600	YES	6	-06	-91-0600	YES				
	-A062	-27-0600	NO		-062	-92-0600	NO				
7	-A07	-26-0700	YES	7	-07	-91-0700	YES				
	-A072	-27-0700	NO		-072	-92-0700	NO				
8	-A08	-26-0800	YES	8	-08	-91-0800	YES				
	-A082	-27-0800	NO		-082	-92-0800	NO				
9	-A09	-26-0900	YES	9	-09	-91-0900	YES				
	-A092	-27-0900	NO		-092	-92-0900	NO				
10	-A10	-26-1000	YES	10	-10	-91-1000	YES				
	-A102	-27-1000	NO		-102	-92-1000	NO				
11	-A11	-26-1100	YES	11	-11	-91-1100	YES				
	-A112	-27-1100	NO		-112	-92-1100	NO				
12	-A12	-26-1200	YES	12	-12	-91-1200	YES				
	-A122	-27-1200	NO		-122	-92-1200	NO				
13	-A13	-26-1300	YES	13	-13	-91-1300	YES				
	-A132	-27-1300	NO		-132	-92-1300	NO				
14	-A14	-26-1400	YES	14	-14	-91-1400	YES				
	-A142	-27-1400	NO		-142	-92-1400	NO				
15	-A15	-26-1500	YES	15	-15	-91-1500	YES				
	-A152	-27-1500	NO		-152	-92-1500	NO				
16	-A16	-26-1600	YES	16	-16	-91-1600	YES				
	-A162	-27-1600	NO		-162	-92-1600	NO				
17	-A17	-26-1700	YES	17	↓ -17	↓ -91-1700	YES				
	-A172	-27-1700	NO		3069-172	09-92-1700	NO				
18	-A18	-26-1800	YES								
	-A182	-27-1800	NO								
19	-A19	-26-1900	YES								
	-A192	-27-1900	NO								
20	↓ -A20	↓ -26-2000	YES								
	3069-A202	09-27-2000	NO								

No. OF CCTS.	ENG. No.	PART No.	LOCKING RAMP	VOID LOC'N
4	3069-04VC	09-28-0403	YES	3
4	3069-042VB	09-29-0402	NO	2
5	3069-052VB	09-29-0502	NO	2
6	3069-062VB	97-00-0860	NO	2
7	3069-B07	97-00-2511	YES	NONE
5	3069-B05	97-00-1009	YES	NONE

NOTE: NON-STANDARD ITEMS

OBSOLETE 21-24 CKT EIC NO. E2005-0115 DRWING SCREEN 2004/08/13 CHECKED BY J. DENNEHY 2004/08/13 APPR. DENNEHY 2004/08/13	QUALITY SYMBOLS	GENERAL TOLERANCES (UNLESS SPECIFIED)	DIMENSION STYLE	SCALE	DESIGN UNITS	THIRD ANGLE PROJECTION
	▽=0	mm INCH	MM/IN	---	METRIC	
	▽=0	4 PLACES ± --- ± --- SM	DRAWN BY DATE	1990/04/09	HOUSING, KK CONNECTOR (3.96)/.156, CRIMP PEG/VOID OPTIONAL.	
		3 PLACES ± --- ± ---	CHECKED BY DATE	2004/08/11	MOLEX INCORPORATED	
	2 PLACES ± --- ± ---	APPROVED BY DATE	2004/08/13	MATERIAL NO. DOCUMENT NO. SHEET NO.		
	1 PLACE ± --- ± ---	J. DENNEHY 2004/08/13	SD-3069-N***	2 OF 2		
	ANGULAR ± 2 °	DRAFT WHERE APPLICABLE MUST REMAIN WITHIN DIMENSIONS				
		THIS DRAWING CONTAINS INFORMATION THAT IS PROPRIETARY TO MOLEX INCORPORATED AND SHOULD NOT BE USED WITHOUT WRITTEN PERMISSION				

X-ON Electronics

Largest Supplier of Electrical and Electronic Components

Click to view similar products for [Headers & Wire Housings](#) category:

Click to view products by [Molex](#) manufacturer:

Other Similar products are found below :

[95000-104TRLF](#) [10135584-644402LF](#) [DF62W-EP2022PCA](#) [95000-106TRLF](#) [DF62W-2022SCA](#) [DF62W-EP2022PC](#) [2203348](#) [DF62W-2022SC](#) [1084018](#) [1029039](#) [1084017](#) [802-10-012-10-002000](#) [1112640](#) [1112639](#) [891-007-9SS-BST1T](#) [000-34000](#) [0008550134](#) [0009482033](#) [0009507031](#) [57102-F02-18ULF](#) [57102-S06-03LF](#) [57202-S52-04LF](#) [PCN6-15S-2.5E](#) [0039019024](#) [58102-G61-06LF](#) [582553-1](#) [0009485154](#) [0009508121](#) [0022285053](#) [0050291907](#) [018731A](#) [LY20-4P-DT1-P1E-BR](#) [02.125.8002.8](#) [60101931](#) [60598-1 \(Cut Strip\)](#) [M1625-3R/100](#) [61062-3](#) [61082-181009](#) [CSU011177004](#) [636-1427](#) [638009-1](#) [641938-9](#) [641991-4](#) [644168-1](#) [644827-2](#) [647662-1](#) [65039-019ELF](#) [65692-001LF](#) [65781-018](#) [65781-047](#)