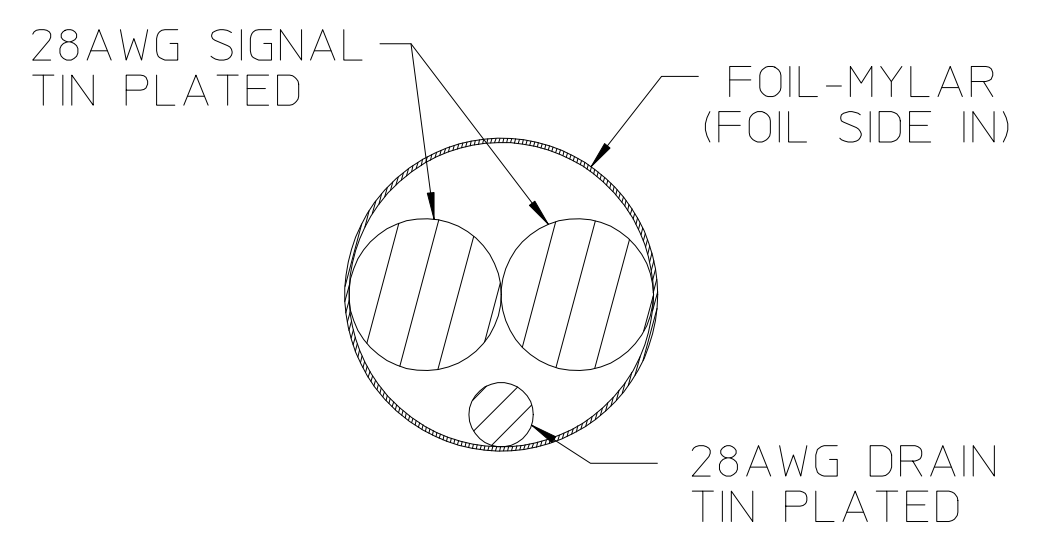
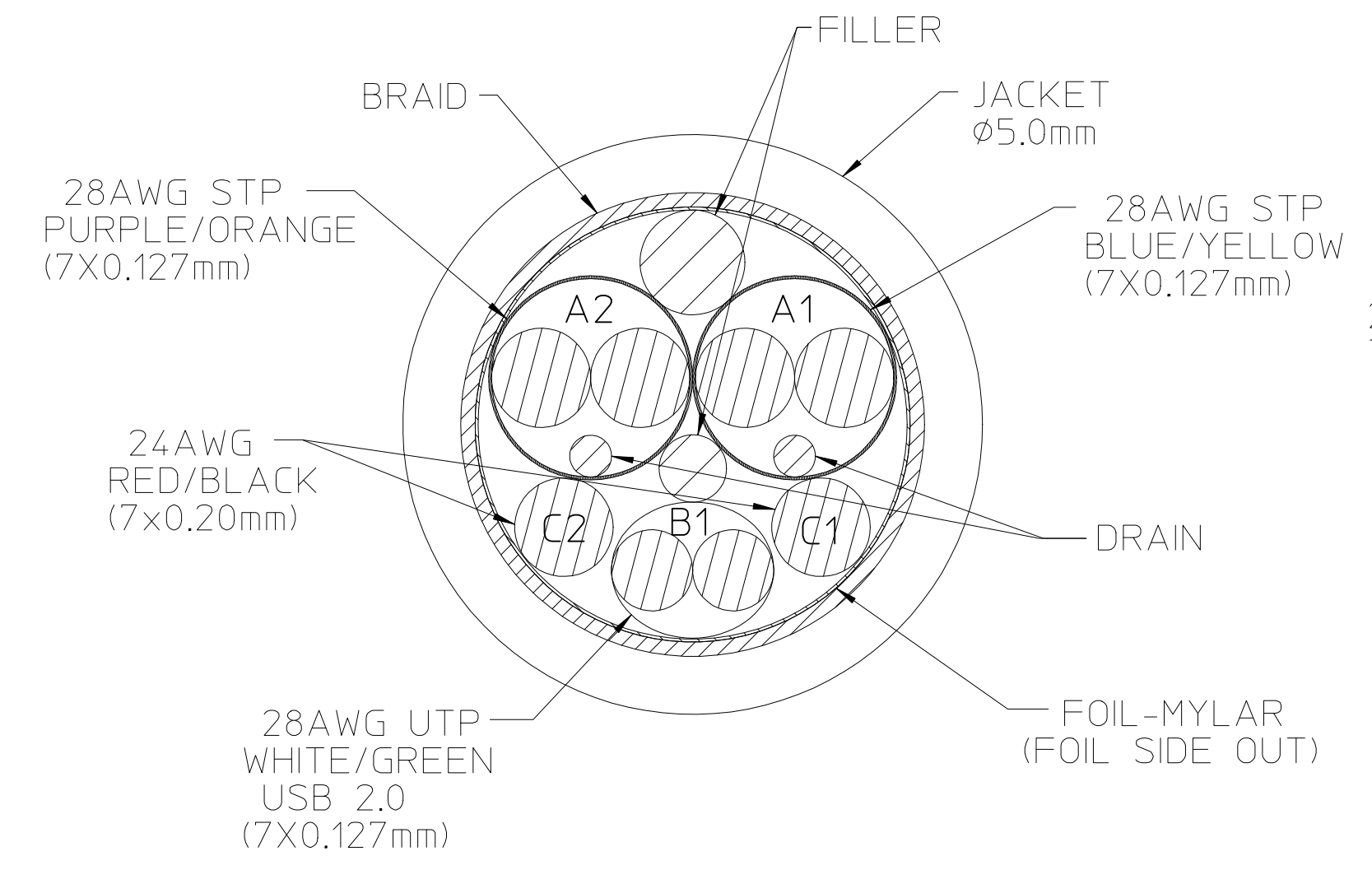
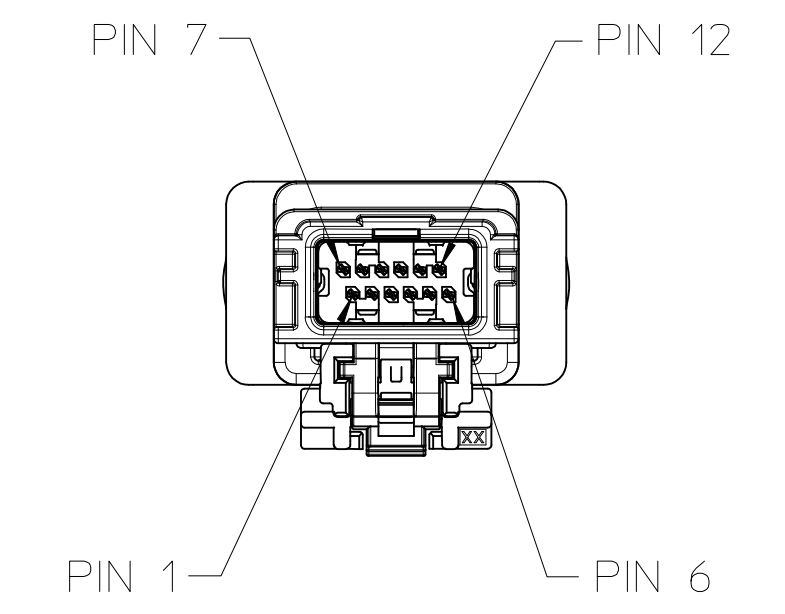
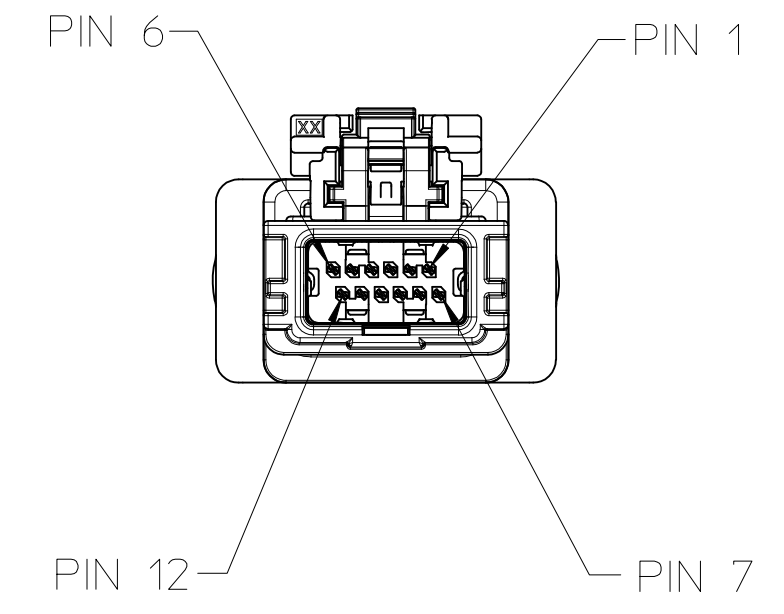


CUSTOMER P/N
 |||||
 MOLEX P/N REV YYYYMMDDX
 Made in China
 MOLEX LOGO
 |||||
 MOLEX P/N REV YYYYMMDDX
 CUSTOMER P/N

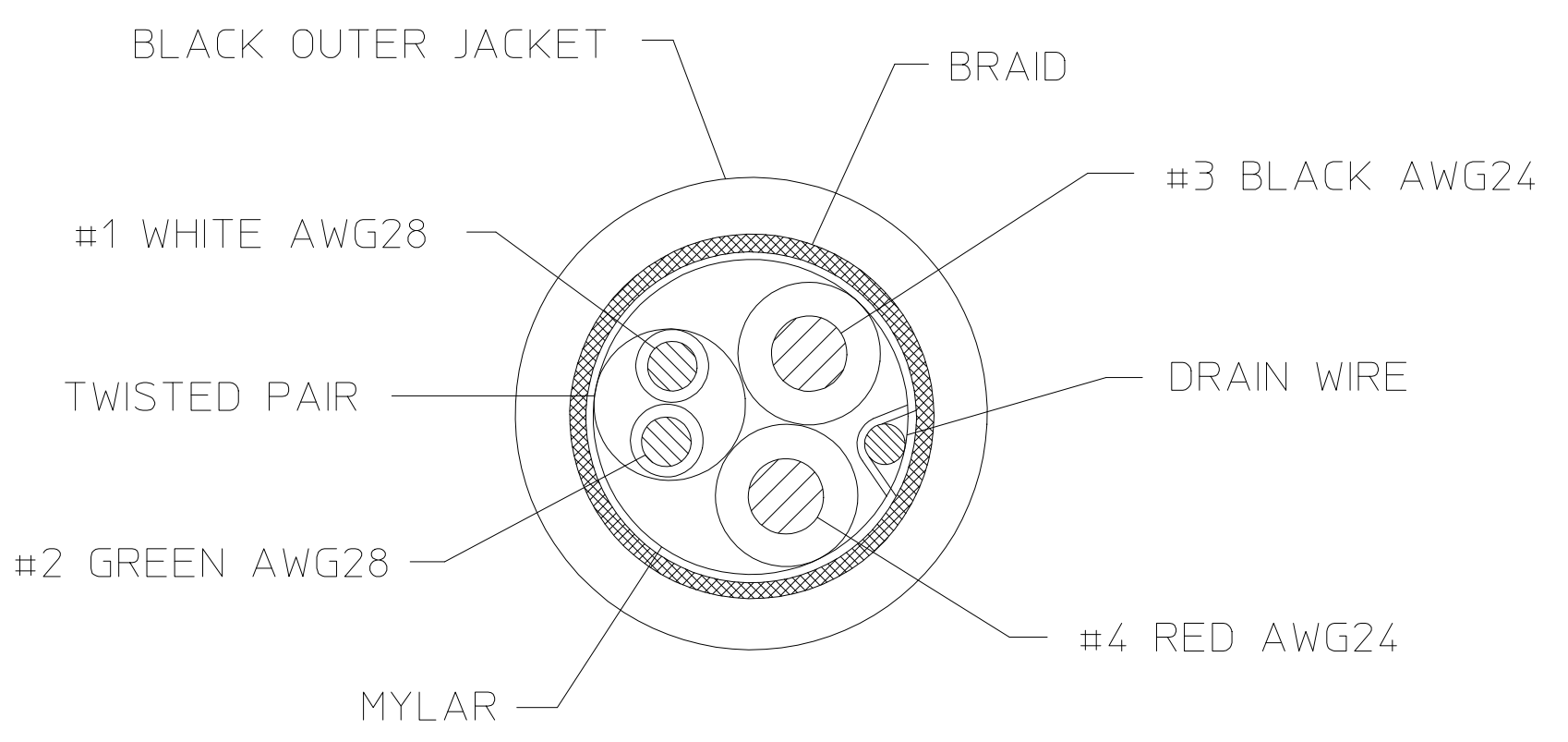
LABEL FORMAT

LAST LETTER OF DATE CODE "X":
 'D'= DAY SHIFT, 'N'= NIGHT SHIFT
 BAR CODE = MOLEX MATERIAL NUMBER



SHIELDED TWISTED PAIR

CABLE CONSTRUCTION USB 3.0



CABLE CONSTRUCTION USB 2.0

NOTES:

1. PRODUCT SPECIFICATION: PS-XXXXXXX.
2. PACKAGING SPECIFICATION: PK-111149-001.
3. IDENTIFICATION LABEL MUST DISPLAY CUSTOMER PART NUMBER, SUPPLIER PART NUMBER, DATE CODE (YYYYMMDD), REVISION, AND LOGO.
4. PART MUST CONFORM TO THE LATEST REVISION OF USB 3.0 AND USB 2.0.
5. LEAD FREE, NO ROHS EXEMPTIONS.

REV D B1	REV	DESCRIPTION	QUALITY SYMBOLS	GENERAL TOLERANCES (UNLESS SPECIFIED)		DIMENSION STYLE MM ONLY		SCALE 2:1	DESIGN UNITS METRIC	THIRD ANGLE PROJECTION
	REV	DESCRIPTION	QUALITY SYMBOLS	mm	INCH	DRAWN BY	DATE	TITLE	USB2.0/USB3.0 CABLE ASM HSAL2 12CKT UNSEALED PLUG TO UNSEALED PLUG molex DOCUMENT NO. RSD-100215-001 SHEET NO. 1 OF 2	
	REV	DESCRIPTION	QUALITY SYMBOLS	mm	INCH	DATE	DATE			
	REV	DESCRIPTION	QUALITY SYMBOLS	mm	INCH	DATE	DATE			
REV	DESCRIPTION	QUALITY SYMBOLS	mm	INCH	DATE	DATE				
EC NO: CPG2016-1318 DRW:HEHART INEZ 2015/09/29 CHKD: JPAWL ICKI 2015/09/29 APPR: KMONROE 2015/10/13				∇=0 4 PLACES ± --- ± ---- ∇=0 3 PLACES ± --- ± ---- ∇=0 2 PLACES ± 0.13 ± ---- 1 PLACE ± 0.25 ± --- 0 PLACE ± --- ± ----	ANGULAR ± 3 ° DRAFT WHERE APPLICABLE MUST REMAIN WITHIN DIMENSIONS	MATERIAL NO. 1002151001 SIZE D	DRAWN BY JREEVES 2013/08/26 CHECKED BY JJPAWLICKI 2013/11/04 APPROVED BY KMONROE 2013/12/20			

DATE	REV	DESCRIPTION
2013/08/27	1	INITIAL CONCEPT
2013/11/04	A	ORIGINAL RELEASE
2014/03/11	B	UPDATED LABEL INFO
2014/09/29	B1	CHANGED SUBASSY P/N'S & ADDED GM P/N

WIRING DIAGRAM

	SIGNAL NAME	PIN #	WIRE COLORS	WIRE COLORS	PIN #	SIGNAL NAME	
12CKT UNSEALED PLUG	GND1_DRAIN	1	DRAIN	DRAIN	1	GND1_DRAIN	12CKT UNSEALED PLUG
	SS_TXP	2	ORANGE	ORANGE	2	SS_TXP	
	SS_TXN	3	PURPLE	PURPLE	3	SS_TXN	
	GND2_DRAIN	4	DRAIN	DRAIN	4	GND2_DRAIN	
	SS_RXP	5	YELLOW	YELLOW	5	SS_RXP	
	SS_RXN	6	BLUE	BLUE	6	SS_RXN	
	VBUS1_3.0	7	RED	RED	7	VBUS1_3.0	
	DM1	8	WHITE	WHITE	8	DM1	
	DP1	9	GREEN	GREEN	9	DP1	
	VGND1_3.0	10	BLACK	BLACK	10	VGND_3.0	
	DM0	11	WHITE	WHITE	11	DM0	
	DPO	12	GREEN	GREEN	12	DPO	
	BRAID(S)	SHIELD	BRAID(S)	BRAID(S)	SHIELD	BRAID(S)	

SEE REV. TABLE EC NO: CPG2016-1318 DRW:HEART INEZ 2015/09/29 CHKD: JPAWL ICKI 2015/09/29 APPR: KMONROE 2015/10/13	QUALITY SYMBOLS	GENERAL TOLERANCES (UNLESS SPECIFIED)	DIMENSION STYLE	SCALE	DESIGN UNITS	THIRD ANGLE PROJECTION	
	▽=0	4 PLACES ± --- ± ----	MM ONLY	2:1	METRIC		
	▽=0	3 PLACES ± --- ± ----	mm INCH				
	▽=0	2 PLACES ± 0.13 ± ----	DRAWN BY DATE				
	1 PLACE ± 0.25 ± ---	3 PLACES ± --- ± ----	JREEVES 2013/08/26			TITLE	
	0 PLACE ± --- ± ----	2 PLACES ± 0.13 ± ----	CHECKED BY DATE			USB2.0/USB3.0 CABLE ASM HSAL2 12CKT UNSEALD PLUG TO UNSEALED PLUG	
		1 PLACE ± 0.25 ± ---	JPAWL ICKI 2013/11/04			molex	
		0 PLACE ± --- ± ----	APPROVED BY DATE				
		ANGULAR ± 3 °	KMONROE 2013/12/20				
		DRAFT WHERE APPLICABLE MUST REMAIN WITHIN DIMENSIONS	MATERIAL NO.			DOCUMENT NO.	
			1002151001			RSD-100215-001	
			SIZE D			SHEET NO.	
			THIS DRAWING CONTAINS INFORMATION THAT IS PROPRIETARY TO MOLEX INCORPORATED AND SHOULD NOT BE USED WITHOUT WRITTEN PERMISSION				2 OF 2

X-ON Electronics

Largest Supplier of Electrical and Electronic Components

Click to view similar products for [Molex manufacturer:](#)

Other Similar products are found below :

[1201140065](#) [47632-3000](#) [11-24-1109](#) [130110-0004](#) [11170334](#) [11404919](#) [15800169](#) [210200207](#) [11405341](#) [11210115](#) [11404599](#)
[1060043388](#) [11170336](#) [11184843](#) [11241228](#) [11404918](#) [38001344](#) [595885000](#) [622018618](#) [845901014](#) [747360213](#) [625000212](#) [716612130](#)
[690372163](#) [210200257](#) [387212221](#) [63827-1500](#) [1062837003](#) [383304708](#) [395011506](#) [0533241060](#) [09623102](#) [445600022](#) [387700311](#)
[26482083](#) [387240805](#) [26612030](#) [395040607](#) [387403106](#) [874381042](#) [395311509](#) [191980071](#) [398800105](#) [676430930](#) [82-24-5910](#)
[1061052100](#) [734155590](#) [459705715](#) [757830349](#) [887418320](#)