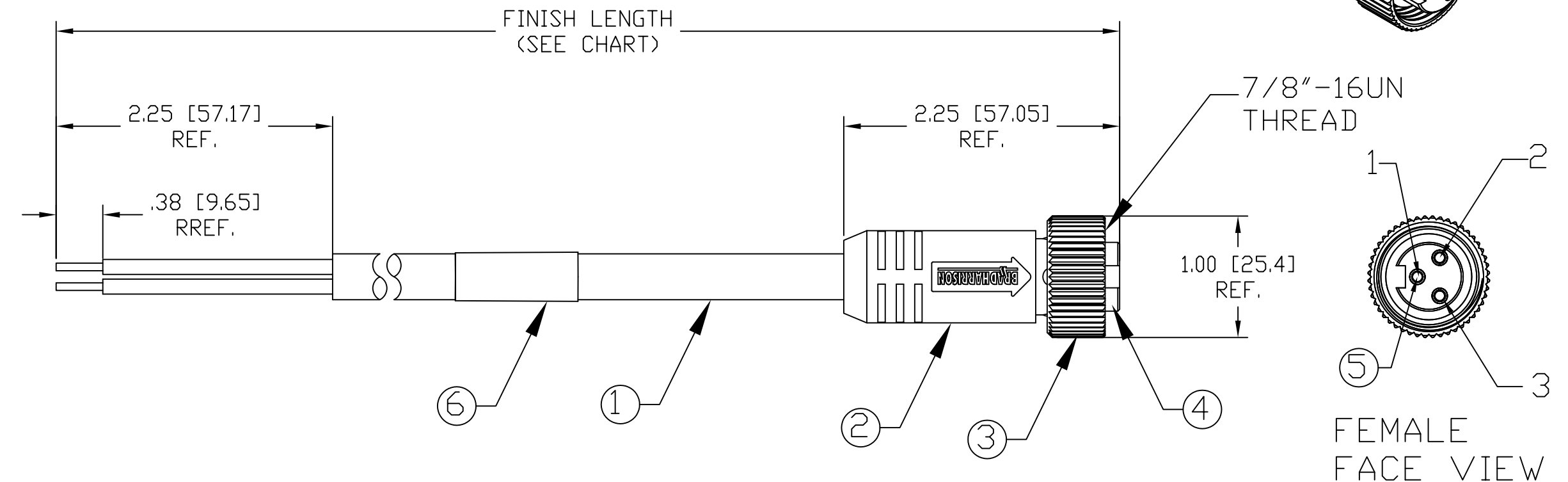
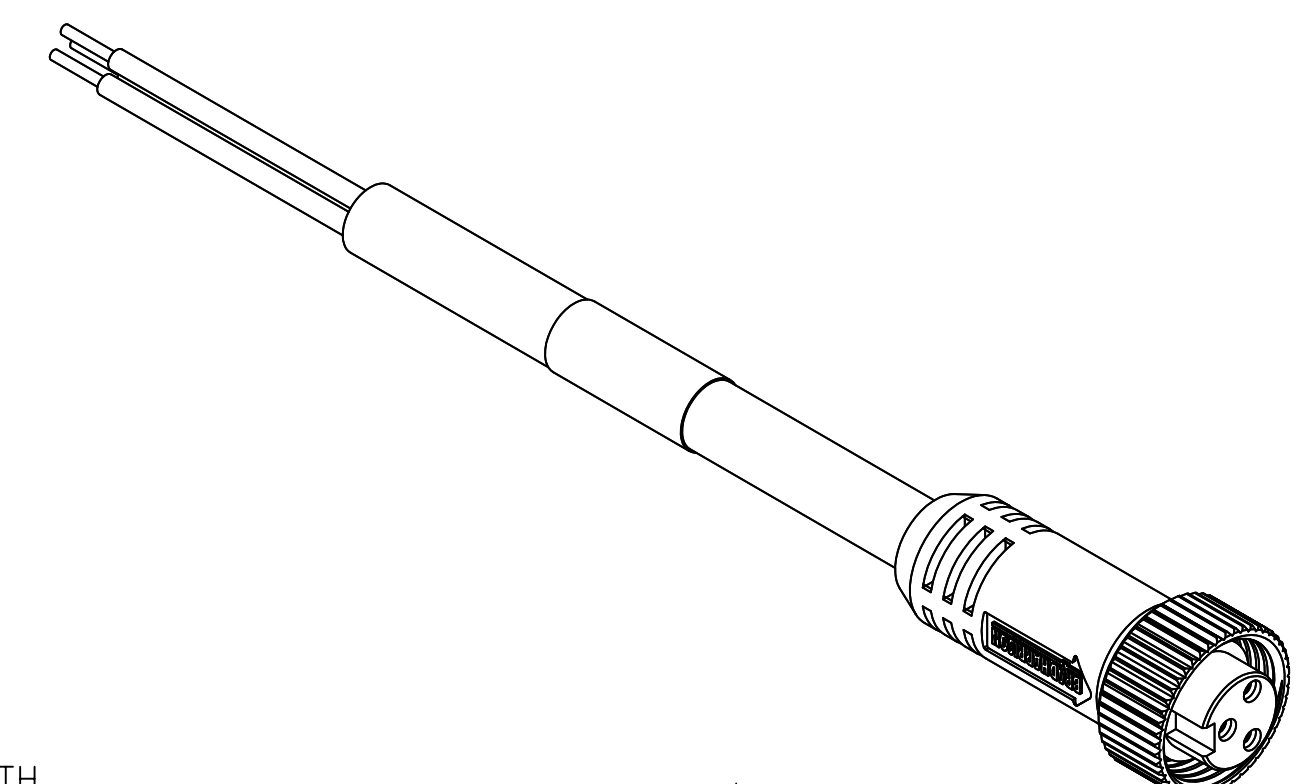


13	12	11	10	9
PART NUMBER	ENGINEERING NUMBER	FINISH LENGTH		
1300060217	103000A01F030	3.00' +1.75" -0 [0.9M +44.5 -0]		
1300060221	103000A01F060	6.00' +3.50" -0 [1.8M +88.9 -0]		
1300060229	103000A01F090	9.00' +3.50" -0 [2.7M +88.9 -0]		
1300060232	103000A01F120	12.00' +6.50" -0 [3.7M +165.1 -0]		
1300060237	103000A01F150	15.00' +6.50" -0 [4.6M +165.1 -0]		
1300060241	103000A01F200	20.00' +6.50" -0 [6.1M +165.1 -0]		
1300060246	103000A01F250	25.00' +12.50" -0 [7.6M +317.5 -0]		
1300060250	103000A01F300	30.00' +12.50" -0 [9.1M +317.5 -0]		
1300060253	103000A01F350	35.00' +12.50" -0 [10.7M +317.5 -0]		
1300060254	103000A01F400	40.00' +12.50" -0 [12.2M +317.5 -0]		

8	7	6	5	4	3	2	1
PART NUMBER	ENGINEERING NUMBER	FINISH LENGTH					
1300060257	103000A01F450	45.00' +12.50" -0 [13.7M +317.5 -0]					
1300060258	103000A01F500	50.00' +24.50" -0 [15.2M +622.3 -0]					



- NOTE
- 1) MATERIAL: SEE TABLE
 - 2) FINISHES: SEE TABLE
 - 3) WRAP LABEL IS MARKED WITH P/N, DATE CODE, VOLTAGE & AMPERAGE
 - 4) MATES WITH: MINI CHANGE, 3 POLE RECEPTACLE
 - 5) ELECTRICAL DATA:
 INLINE CORDSET
 FEMALE A-SIZE WITH FLYING LEADS
 16AWG UNSHIELDED
 POLES: 3
 MAX. VOLTAGE: 600V
 MAX. CURRENT 13A
 PROTECTION IP67
 TEMPERATURE RANGE: -20°C TO 105°C
 - 6) PACKAGING:
 CABLE ASSEMBLIES ARE BAGGED SEPERATELY
 IN POLY BAGS WITH BAR CODE LABEL ATTACHED
 TO OUTSIDE OF BAG.
 - 7) ASSEMBLY IS RoHS COMPLIANT.
 - 8) CERTIFICATION
 UL RECOGNIZED, FILE NO. E152210
 CSA CERTIFIED, FILE NO. LR6837

P1

1	GREEN/YELLOW-GRD
2	BLACK
3	WHITE

WIRING DIAGRAM

ITEM	QTY.	DESCRIPTION	MATERIAL	FINISH
6	1	LABEL	PLASTIC FILM	BLACK/YELLOW
5	3	CONTACT SOCKET	COPPER ALLOY	GOLD PLATED
4	1	INSERT	PVC	YELLOW
3	1	COUPLING NUT	ZINC DIE CAST	BLACKE-COATED
2	1	OVERMOLD	PVC	YELLOW
1	1	CABLE, 16AWG-3 TYPE ST00W	PVC	YELLOW

CORRECT COLOR ROTATION EC NO: WNA2010-0389 DRWN: TWOLDEGE 12/17/09 CH'KD: BWOODMAN APPR: JFMURPHY 2010/01/04	DESCRIPTION REV	QUALITY SYMBOL ▽=0 ◻=0	GENERAL TOLERANCES (UNLESS SPECIFIED) <table border="1"> <tr> <th></th> <th>mm</th> <th>INCH</th> </tr> <tr> <td>4 PLACES</td> <td>±---</td> <td>±---</td> </tr> <tr> <td>3 PLACES</td> <td>±.005</td> <td>±.005</td> </tr> <tr> <td>2 PLACES</td> <td>±.013</td> <td>±.010</td> </tr> <tr> <td>1 PLACE</td> <td>±.025</td> <td>±.020</td> </tr> </table>		mm	INCH	4 PLACES	±---	±---	3 PLACES	±.005	±.005	2 PLACES	±.013	±.010	1 PLACE	±.025	±.020	DIMENSION STYLE IN/MM DRAWN BY DATE TWOLDEGE 2009/07/10 CHECKED BY DATE BWOODMAN 2009/07/10 APPROVED BY DATE JFMURPHY 2010/01/04	SCALE 1:1 DESIGN UNITS INCH THIRD ANGLE PROJECTION
			mm	INCH																
		4 PLACES	±---	±---																
		3 PLACES	±.005	±.005																
2 PLACES	±.013	±.010																		
1 PLACE	±.025	±.020																		
DRAFT WHERE APPLICABLE MUST REMAIN WITHIN DIMENSIONS			MATERIAL NO. SEE CHART	TITLE MINI CHANGE ASSEMBLY 3-POLE FEMALE ST 16/3AWG PVC																
SIZE C			THIS DRAWING CONTAINS INFORMATION THAT IS PROPRIETARY TO MOLEX INCORPORATED AND SHOULD NOT BE USED WITHOUT WRITTEN PERMISSION	MOLEX MOLEX INCORPORATED																
			DOCUMENT NO. SD-130006-008	SHEET NO. 1 OF 1																

X-ON Electronics

Largest Supplier of Electrical and Electronic Components

Click to view similar products for [D-Sub Micro-D Connectors](#) category:

Click to view products by [Molex](#) manufacturer:

Other Similar products are found below :

[89076GBEPR](#) [M2430815F](#) [M243082311F](#) [M2430833F](#) [M2430834F](#) [M24308/4-6F](#) [65-1920-15](#) [M83513/01-HN](#) [M83513/03-A10N](#)
[M83513/03-B14C](#) [M83513/03-D09C](#) [M83513/03-D11N](#) [M83513/03-G02N](#) [M83513/03-G05N](#) [M83513/03-G08C](#) [M83513/03-G09N](#)
[M83513/03-G12N](#) [M83513/03-H13N](#) [M83513/04-E15N](#) [M83513/04-G04C](#) [M83513/10-E01NP](#) [M83513/13-B01NP](#) [M83513/13-C01NN](#)
[M83513/16-A01CP](#) [M83513/22-D01NP](#) [M83513/25-B01NP](#) [6R2004A30F015](#) [6R4006A28A120](#) [703006A13F060](#) [704002A03F200](#)
[705001A13F120](#) [7-1532020-5](#) [748567-1-P](#) [MDM-15PCBRM7T](#) [MDM-15PH003B-A174](#) [MDM-15PH034B](#) [MDM-15SH004B](#) [MDM-](#)
[21PH003K](#) [MDM-21PH003P](#) [MDM-25PH003B-A174](#) [MDM-9PH003M7](#) [MDM-9SH006B](#) [773030D02F030](#) [790-024PA-5MS](#) [790-024PB-](#)
[9ML](#) [790-027SH-10P4MEP](#) [790-041PJ-25P2MPA](#) [791-004SH-66MSA](#) [7R3A00A19A1201](#) [7R3A04A19A120](#)