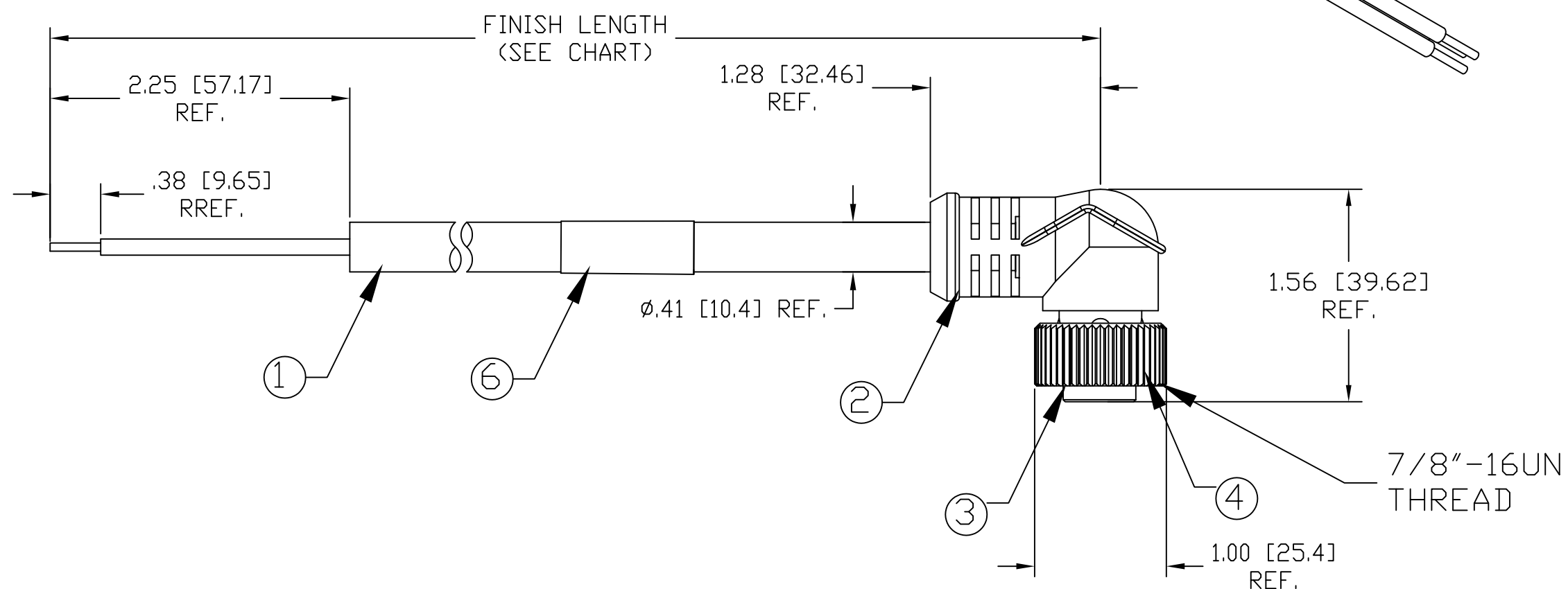


13	12	11	10	9	8	7	6	5	4	3	2	1
	PART NUMBER	ENGINEERING NUMBER	FINISH LENGTH									
J	1300060422	103001A01F030	3.00' +1.75" -0 [.9M +44.5 -0]									
	1300060426	103001A01F060	6.00' +2.19" -0 [1.8M +55.6 -0]									
	1300060430	103001A01F120	12.00' +3.50" -0 [3.7M +88.9 -0]									
I	1300060433	103001A01F150	15.00' +6.50" -0 [4.6M +165.1 -0]									
	1300060436	103001A01F200	20.00' +6.50" -0 [6.1M +165.1 -0]									
	1300060440	103001A01F250	25.00' +12.50" -0 [7.6M +317.5 -0]									
H	1300060442	103001A01F300	30.00' +12.50" -0 [9.1M +317.5 -0]									

NOTE

- 1) MATERIAL: SEE TABLE
- 2) FINISHES: SEE TABLE
- 3) WRAP LABEL IS MARKED WITH P/N, DATE CODE, VOLTAGE & AMPERAGE
- 4) MATES WITH: MINI CHANGE, 3 POLE RECEPTACLE
- 5) ELECTRICAL DATA:  
 INLINE CORDSET  
 FEMALE A-SIZE WITH FLYING LEADS  
 16AWG UNSHIELDED  
 POLES: 3  
 MAX. VOLTAGE: 600V  
 MAX. CURRENT 13A  
 PROTECTION IP67  
 TEMPERATURE RANGE: -20°C TO 105°C
- 6) PACKAGING:  
 CABLE ASSEMBLIES ARE BAGGED SEPERATELY  
 IN POLY BAGS WITH BAR CODE LABEL ATTACHED  
 TO OUTSIDE OF BAG.
- 7) ASSEMBLY IS RoHS COMPLIANT.
- 8) CERTIFICATION  
 UL RECOGNIZED, FILE NO. E152210  
 CSA CERTIFIED, FILE NO. LR6837



P1

1	GREEN/YELLOW-GND
2	BLACK
3	WHITE

FEMALE FACE VIEW

WIRING DIAGRAM

ITEM	QTY.	DESCRIPTION	MATERIAL	FINISH
6	1	LABEL	PLASTIC FILM	BLACK/YELLOW
5	3	CONTACT SOCKET	COPPER ALLOY	GOLD PLATED
4	1	INSERT	PVC	YELLOW
3	1	COUPLING NUT	ZINC DIE CAST	BLACK E-COATED
2	1	OVERMOLD	PVC	YELLOW
1	1	CABLE, 16AWG-3 TYPE STOOD	PVC	YELLOW

RELEASE EC NO: WNA2010-0397 DRWN: BWOODMAN 12/22/09 CH'KD: --- APPR: JFMURPHY 2010/01/05	DESCRIPTION REV	<b>QUALITY SYMBOL</b> ▽=0 ▽=0	<b>GENERAL TOLERANCES (UNLESS SPECIFIED)</b> <table border="1"> <tr> <td></td> <td>mm</td> <td>INCH</td> </tr> <tr> <td>4 PLACES</td> <td>±---</td> <td>±---</td> </tr> <tr> <td>3 PLACES</td> <td>±.005</td> <td>±.005</td> </tr> <tr> <td>2 PLACES</td> <td>±.013</td> <td>±.010</td> </tr> <tr> <td>1 PLACE</td> <td>±.025</td> <td>±.020</td> </tr> </table>		mm	INCH	4 PLACES	±---	±---	3 PLACES	±.005	±.005	2 PLACES	±.013	±.010	1 PLACE	±.025	±.020	<b>DIMENSION STYLE</b> IN/MM DRAWN BY: TWOLDEGE DATE: 2009/07/29 CHECKED BY: BWOODMAN DATE: 2009/07/29 APPROVED BY: JFMURPHY DATE: 2010/01/05	SCALE: 1:1 DESIGN UNITS: INCH THIRD ANGLE PROJECTION
			mm	INCH																
		4 PLACES	±---	±---																
		3 PLACES	±.005	±.005																
2 PLACES	±.013	±.010																		
1 PLACE	±.025	±.020																		
ANGULAR ±1/2° DRAFT WHERE APPLICABLE MUST REMAIN WITHIN DIMENSIONS			MATERIAL NO.: SEE CHART SIZE: C	TITLE: MINI CHANGE ASSEMBLY 3-POLE FEMALE 90D 16/3AWG PVC MOLEX INCORPORATED DOCUMENT NO.: SD-130006-015 SHEET NO.: 1 OF 1																
THIS DRAWING CONTAINS INFORMATION THAT IS PROPRIETARY TO MOLEX INCORPORATED AND SHOULD NOT BE USED WITHOUT WRITTEN PERMISSION																				

## X-ON Electronics

Largest Supplier of Electrical and Electronic Components

*Click to view similar products for [D-Sub Micro-D Connectors](#) category:*

*Click to view products by [Molex](#) manufacturer:*

Other Similar products are found below :

[89076GBEPR](#) [M2430815F](#) [M243082311F](#) [M2430833F](#) [M2430834F](#) [M24308/4-6F](#) [65-1920-15](#) [M83513/01-HN](#) [M83513/03-A10N](#)  
[M83513/03-B14C](#) [M83513/03-D09C](#) [M83513/03-D11N](#) [M83513/03-G02N](#) [M83513/03-G05N](#) [M83513/03-G08C](#) [M83513/03-G09N](#)  
[M83513/03-G12N](#) [M83513/03-H13N](#) [M83513/04-E15N](#) [M83513/04-G04C](#) [M83513/10-E01NP](#) [M83513/13-B01NP](#) [M83513/13-C01NN](#)  
[M83513/16-A01CP](#) [M83513/22-D01NP](#) [M83513/25-B01NP](#) [6R2004A30F015](#) [6R4006A28A120](#) [703006A13F060](#) [704002A03F200](#)  
[705001A13F120](#) [7-1532020-5](#) [748567-1-P](#) [MDM-15PCBRM7T](#) [MDM-15PH003B-A174](#) [MDM-15PH034B](#) [MDM-15SH004B](#) [MDM-](#)  
[21PH003K](#) [MDM-21PH003P](#) [MDM-25PH003B-A174](#) [MDM-9PH003M7](#) [MDM-9SH006B](#) [773030D02F030](#) [790-024PA-5MS](#) [790-024PB-](#)  
[9ML](#) [790-027SH-10P4MEP](#) [790-041PJ-25P2MPA](#) [791-004SH-66MSA](#) [7R3A00A19A1201](#) [7R3A04A19A120](#)