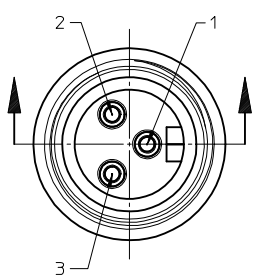
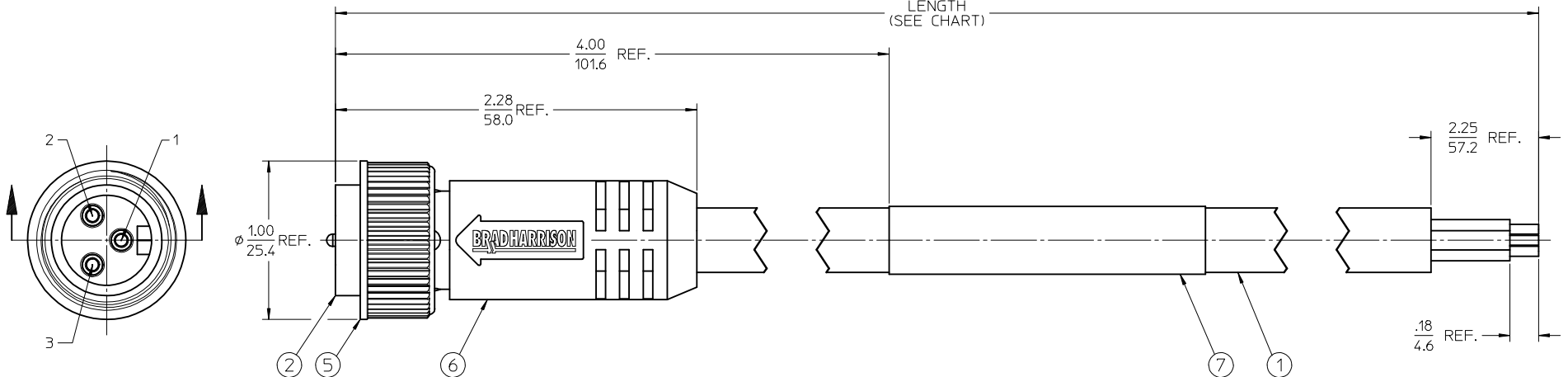
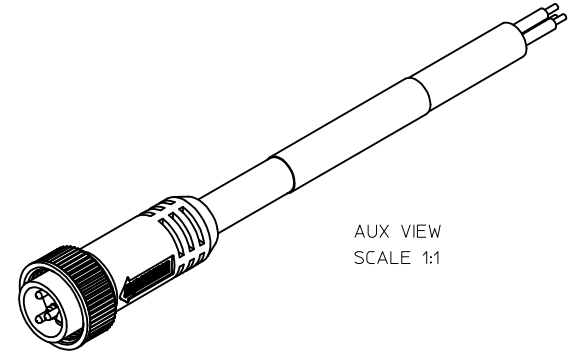
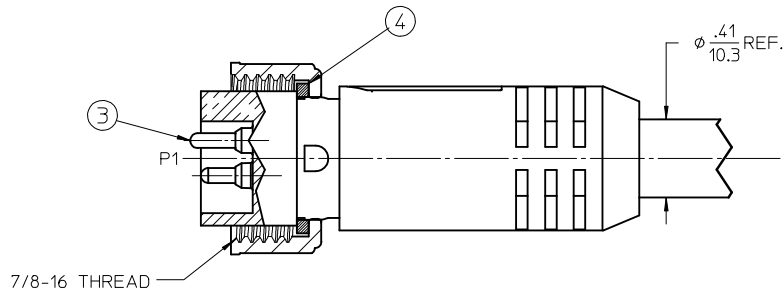


PART NUMBER	ENGINEERING NO.	LENGTH
1300060529	103002A01F030	3' +1.75 - 0 [ 0.9M +44.5 - 0 ]
1300060534	103002A01F060	6' +2.19 - 0 [ 1.8M +55.6 - 0 ]
1300060542	103002A01F120	12' +3.50 - 0 [ 3.7M +88.9 - 0 ]
1300060549	103002A01F200	20' +6.50 - 0 [ 6.1M +165.1 - 0 ]



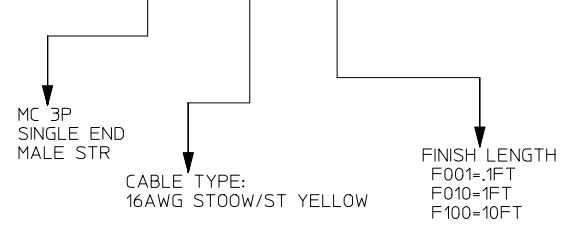
P1	Color
1	GREEN/YELLOW
2	BLACK
3	WHITE

WIRING DIAGRAM

- NOTES:
1. MATERIAL: SEE TABLE
  2. FINISHES: SEE TABLE
  3. CABLE ASSEMBLIES ARE BAGGED SEPERATELY IN POLY BAGS WITH BARCODE LABEL ATTACHED TO OUTSIDE OF BAG
  4. WRAP LABEL IS MARKED WITH P/N, DATE CODE VOLTAGE & AMPERAGE
  5. MATES WITH: MINI CHANGE, A-SIZE 3 POLE RECEPTACLE
  6. ELECTRICAL SPECIFICATIONS:  
VOLTAGE RATING: 600V  
CURRENT RATING: 13 AMPS
  7. ASSEMBLY IS RoHS COMPLIANT

© PART NUMBER LEGEND

103002A01FXXX



ITEM	QTY.	DESCRIPTION	MATERIAL	FINISH
7	1	LABEL	PLASTIC FILM	BLACK/YELLOW
6	1	OVERMOLD, STRAIGHT	PVC	YELLOW
5	1	COUPLING NUT, FEMALE	ZINC DIE CAST	BLACK
4	1	FRICITION RING	NYLON	WHITE
3	3	CONTACT PIN, 16 AWG	BRASS	GOLD PLATED
2	1	INSERT, MALE, 3 POLE	PVC	YELLOW
1	1	CABLE, STOOV/ST #16/3	PVC JACKET	YELLOW ©

ADDED PART NO. LEGEND  
 EC NO: JFG2016-0872  
 DRAWINGGUSTAFSON 2015/12/10  
 CHKD:HZL/ELIN 2015/12/22  
 APPR:BMWOODMAN 2015/12/17

QUALITY SYMBOLS ▽=0 ▽=0	GENERAL TOLERANCES (UNLESS SPECIFIED)	DIMENSION STYLE IN/MM	SCALE 1.5:1	DESIGN UNITS INCH	THIRD ANGLE PROJECTION																													
	<table border="1"> <thead> <tr> <th></th> <th>mm</th> <th>INCH</th> </tr> </thead> <tbody> <tr> <td>4 PLACES ±</td> <td>---</td> <td>---</td> </tr> <tr> <td>3 PLACES ±</td> <td>---</td> <td>±.005</td> </tr> <tr> <td>2 PLACES ±</td> <td>---</td> <td>±.010</td> </tr> <tr> <td>1 PLACE ±</td> <td>---</td> <td>±.020</td> </tr> </tbody> </table>		mm	INCH	4 PLACES ±	---	---	3 PLACES ±	---	±.005	2 PLACES ±	---	±.010	1 PLACE ±	---	±.020	<table border="1"> <thead> <tr> <th>DRAWN BY</th> <th>DATE</th> </tr> </thead> <tbody> <tr> <td>LHARTMANN</td> <td>2009/06/05</td> </tr> </tbody> </table>	DRAWN BY	DATE	LHARTMANN	2009/06/05	<table border="1"> <thead> <tr> <th>CHECKED BY</th> <th>DATE</th> </tr> </thead> <tbody> <tr> <td>RSTONE</td> <td>2009/06/08</td> </tr> </tbody> </table>	CHECKED BY	DATE	RSTONE	2009/06/08	<table border="1"> <thead> <tr> <th>APPROVED BY</th> <th>DATE</th> </tr> </thead> <tbody> <tr> <td>JFMURPHY</td> <td>2009/06/08</td> </tr> </tbody> </table>		APPROVED BY	DATE	JFMURPHY	2009/06/08	<table border="1"> <thead> <tr> <th>TITLE</th> </tr> </thead> <tbody> <tr> <td>MINI-CHANGE PORTABLE 3 POLE MALE STRAIGHT #16/3 YELLOW STOOV/ST</td> </tr> </tbody> </table>	TITLE
	mm	INCH																																
4 PLACES ±	---	---																																
3 PLACES ±	---	±.005																																
2 PLACES ±	---	±.010																																
1 PLACE ±	---	±.020																																
DRAWN BY	DATE																																	
LHARTMANN	2009/06/05																																	
CHECKED BY	DATE																																	
RSTONE	2009/06/08																																	
APPROVED BY	DATE																																	
JFMURPHY	2009/06/08																																	
TITLE																																		
MINI-CHANGE PORTABLE 3 POLE MALE STRAIGHT #16/3 YELLOW STOOV/ST																																		
DRAFT WHERE APPLICABLE MUST REMAIN WITHIN DIMENSIONS		SEE CHART	MOLEX INCORPORATED		DOCUMENT NO. SD-130006-003																													
		SIZE	THIS DRAWING CONTAINS INFORMATION THAT IS PROPRIETARY TO MOLEX INCORPORATED AND SHOULD NOT BE USED WITHOUT WRITTEN PERMISSION		SHEET NO. 1 OF 1																													

## X-ON Electronics

Largest Supplier of Electrical and Electronic Components

*Click to view similar products for [D-Sub Micro-D Connectors](#) category:*

*Click to view products by [Molex](#) manufacturer:*

Other Similar products are found below :

[89076GBEPR](#) [M2430815F](#) [M243082311F](#) [M2430833F](#) [M2430834F](#) [M24308/4-6F](#) [65-1920-15](#) [M83513/01-HN](#) [M83513/03-A10N](#)  
[M83513/03-B14C](#) [M83513/03-D09C](#) [M83513/03-D11N](#) [M83513/03-G02N](#) [M83513/03-G05N](#) [M83513/03-G08C](#) [M83513/03-G09N](#)  
[M83513/03-G12N](#) [M83513/03-H13N](#) [M83513/04-E15N](#) [M83513/04-G04C](#) [M83513/10-E01NP](#) [M83513/13-B01NP](#) [M83513/13-C01NN](#)  
[M83513/16-A01CP](#) [M83513/22-D01NP](#) [M83513/25-B01NP](#) [6R2004A30F015](#) [6R4006A28A120](#) [703006A13F060](#) [704002A03F200](#)  
[705001A13F120](#) [7-1532020-5](#) [748567-1-P](#) [MDM-15PCBRM7T](#) [MDM-15PH003B-A174](#) [MDM-15PH034B](#) [MDM-15SH004B](#) [MDM-](#)  
[21PH003K](#) [MDM-21PH003P](#) [MDM-25PH003B-A174](#) [MDM-9PH003M7](#) [MDM-9SH006B](#) [773030D02F030](#) [790-024PA-5MS](#) [790-024PB-](#)  
[9ML](#) [790-027SH-10P4MEP](#) [790-041PJ-25P2MPA](#) [791-004SH-66MSA](#) [7R3A00A19A1201](#) [7R3A04A19A120](#)