

## FEATURES AND SPECIFICATIONS

### Features and Benefits

- Sizes 2 to 6 circuits
- Locking ramp
- Polarization through varied center spacing between circuits 1 and 2
- Plating options available (contact Molex)

### Reference Information

Packaging: Bag  
 UL File No.: E29179  
 CSA File No.: LR19980  
 Mates With: 5199-N housings  
 Designed In: Millimeters

### Electrical

Voltage: 250V  
 Current: 7.0A  
 Contact Resistance: 10mΩ max.  
 Dielectric Withstanding Voltage: 1500V AC/1 min.  
 Insulation Resistance: 1000 MΩ min.

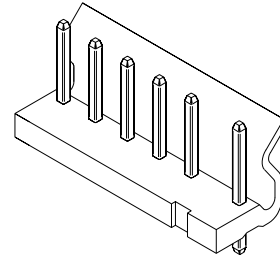
### Physical

Housing: 6/6 nylon, UL 94V-2  
 Contact: Brass, 1.14mm (.045") square  
 Plating: Tin  
 Operating Temperature: -40 to +105°C

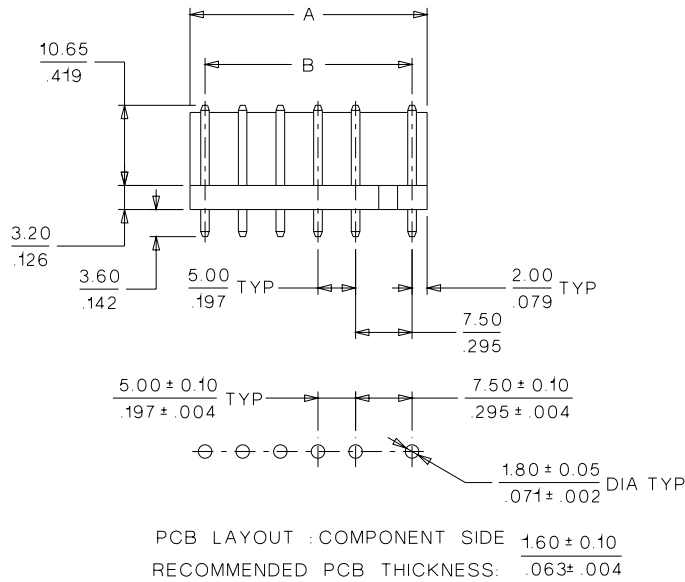
**molex**® **5.00mm (.197") Pitch**  
**SPOX™**  
**Header**

**5289-NA**

**Vertical**  
**Friction Lock**



## CATALOG DRAWING (FOR REFERENCE ONLY)



**D**  
**3.00 to 7.92mm (.118 to .312") Pitch**

## ORDERING INFORMATION AND DIMENSIONS

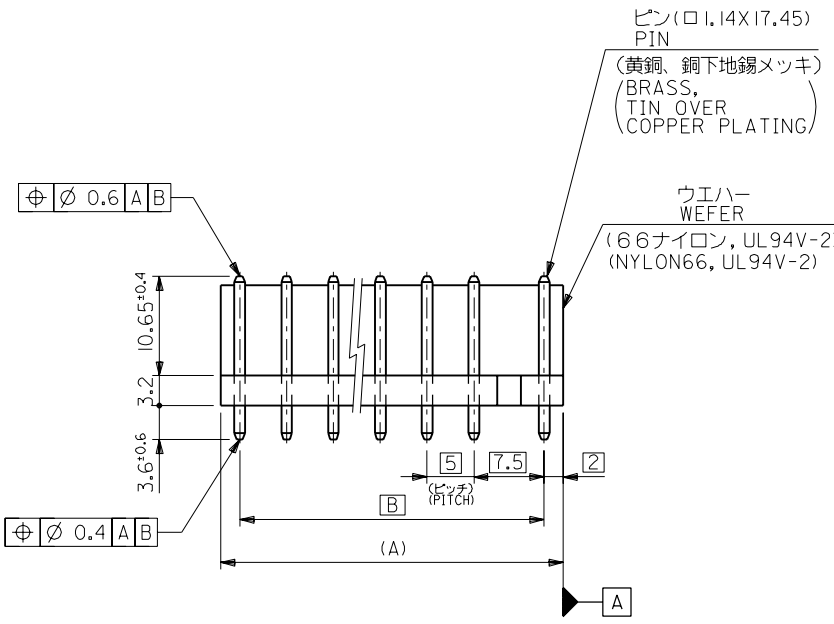
Circuits	Order No.	Dimension	
		A	B
2	10-31-1028	11.50 (.453)	7.50 (.295)
3	10-31-1038	16.50 (.650)	12.50 (.492)
4	10-31-1048	21.50 (.846)	17.50 (.689)
5	10-31-1058	26.50 (1.043)	22.50 (.886)
6	10-31-1068	31.50 (1.240)	27.50 (1.083)

DWG. NO. SD-5289-NA

10-3-1-1\*\*B

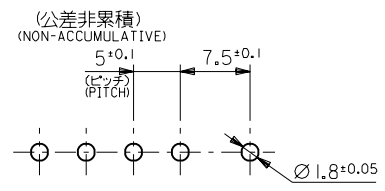
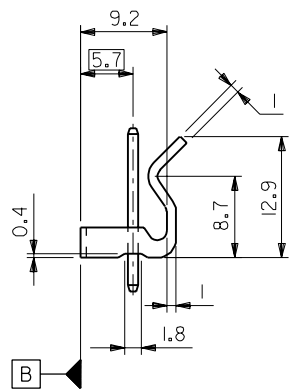
MM DIMENSIONS IN METRIC DO NOT SCALE DRAWING

8 7 6 5 4 3 2



注記 NOTE

1. ウエハーの反りは、長さ 25.4mm に対し CAMBER MUST BE WITHIN 0.22mm



基板取付穴推奨寸法  
RECOMMENDED P.C. BOARD HOLE DIM.

27.5	31.5	10-3
22.5	26.5	10-3
17.5	21.5	10-3
12.5	16.5	10-3
7.5	11.5	10-3
B	(A)	EDF

材料 MATERIAL		図中参照 SEE DRAWING		モレックス	
仕上げ FINISH		— # —		REV	
適用電線範囲 WIRE RANGE		— # —		TITL	
被覆外径 INS. RANGE		— # —		KK	
角度 ANGLE	+3°	変更及/再作図 REVISIO & 再作図	S.M	DATE	'96/8/6
30 以上 OVER	+0.3	記号 LTR	E	DR. / CHK.	Y.M
10 以上 OVER 30 未満 UNDER	+0.25	変更内容 REVISION RECORD		日付 DATE	'96/8/7
10 未満 UNDER	+0.2			APP'D BY	M.FUKUSHIMA
一般公差 GENERAL TOLERANCES				尺度 SCALE	2-1

THIS DRAWING CONTAINS INFORMATION THAT IS PROPRIETARY TO MOLEX/JAPAN AND SHOULD NOT BE USED WITHOUT THE WRITTEN PERMISSION OF MOLEX/JAPAN. THIS DRAWING IS THE PROPERTY OF MOLEX/JAPAN AND SHOULD NOT BE REPRODUCED OR TRANSMITTED IN ANY FORM OR BY ANY MEANS, ELECTRONIC OR MECHANICAL, INCLUDING PHOTOCOPYING, RECORDING, OR BY ANY INFORMATION STORAGE AND RETRIEVAL SYSTEM.

8 7 6 5 4 3 2

## X-ON Electronics

Largest Supplier of Electrical and Electronic Components

*Click to view similar products for [Headers & Wire Housings](#) category:*

*Click to view products by [Molex](#) manufacturer:*

Other Similar products are found below :

[892-18-020-10-001101](#) [58102-G61-06LF](#) [582553-1](#) [0009485154](#) [009176003701906](#) [0050291907](#) [LY20-4P-DT1-P1E-BR](#) [02.125.8002.8](#)  
[609-3404](#) [61062-3](#) [622-0430](#) [622-3653LF](#) [63453-116](#) [636-1030](#) [636-1427](#) [636-3427](#) [636-4007](#) [641938-9](#) [641991-4](#) [644827-2](#) [65817-010LF](#)  
[65817-015LF](#) [65863-015LF](#) [66207-023LF](#) [67095-007LF](#) [67601157](#) [68648-049](#) [70.362.1628.0](#) [70-4210](#) [70-4226B](#) [70-4853B](#) [707-5020](#) [707-](#)  
[5028](#) [71.350.2428.0](#) [71918-208LF](#) [71961-016LF](#) [733-134](#) [733-162](#) [754199-000](#) [760-3052](#) [787-8014-00](#) [79531-3000](#) [FCN-360C032-B](#) [FCN-](#)  
[367T-T012/H](#) [FCN-723D010/2](#) [80.063.4001.1](#) [800-90-001-10-001000](#) [800-90-010-10-002000](#) [801-43-002-10-013000](#) [801-43-006-10-002000](#)