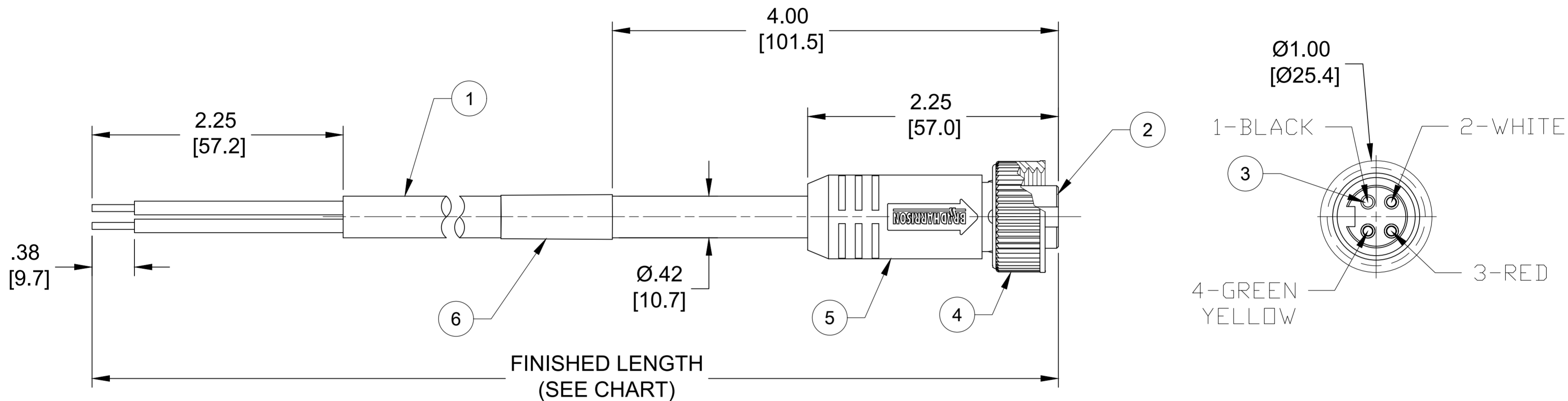


PART NO.	ENGINEERING NO.	FINISHED LENGTH
1300060725	104000A01F030	3.0FT [9.1M]
1300060728	104000A01F060	6.0FT [1.8M]
1300060744	104000A01F200	20.0FT [6.1M]
1300060784	104000A01M100	10M [32FT 10IN]

REF. THIS DRAWING SUPERSEDES SD-130006-010 REV-B (A)

PART NUMBER LEGEND

104000A01F030
 POLE COUNT → FINISHED LENGTH:
 F010= 1.0 FEET
 F100= 10.0 FEET
 M005= 0.5 METER
 M010= 1.0 METER
 M100= 10. METER



- NOTES:**
- MATERIAL: AS NOTED
 - FINISH: AS NOTED
 - ELECTRICAL:
 VOLTAGE: 483V PER IEC60664
 600V PER UL2238
 CURRENT: 10A
 - TEMP RATING: -20°TO +80°C
 - PROTECTION: IP67 (WHEN MATED)
 - COUPLING THREAD: 7/8-16UN
 - UL RECOGNIZED FILE: E152210
 CSA CERTIFIED FILE: LR6837
 - ALL DIMS ARE FOR REFERENCE UNLESS TOLERANCED OR NOTED OTHERWISE

CABLE LENGTH TOLERANCES

>.3M [1FT]:	+19mm-0 [+ .75in-0]
.3 - .9M [1 - 3FT]:	+44.5mm-0 [+1.75in-0]
.9 - 1.8M [3 - 6FT]:	+55.6mm-0 [+2.19in-0]
1.8 - 3.7M [6 - 12FT]:	+88.9mm-0 [+3.50in-0]
3.7 - 7.3M [12 - 24FT]:	+165.1mm-0 [+6.50in-0]
7.3-14.6M [24 - 48FT]:	+317.5mm-0 [+12.50in-0]
14.6 - 30.5M [48-100FT]:	+622.3mm-0 [+24.50in-0]
OVER 30M [100FT]	+2% OF FINISHED LENGTH

ITEM	DESCRIPTION	MATERIAL	FINISH
6	WRAP LABEL	VINYL	BLACK/YELLOW
5	OVERMOLD	TPE	YELLOW
4	COUPLING NUT, INT. THD	ZINC DIE-CAST	NICKEL PLATED
3	CONTACT SOCKET	COPPER ALLOY	GOLD PLATED
2	FEMALE INSERT	TPE	YELLOW
1	CABLE, 16/4, ST00W	PVC JACKET	YELLOW

THIS DRAWING CONTAINS INFORMATION THAT IS PROPRIETARY TO MOLEX ELECTRONIC TECHNOLOGIES, LLC AND SHOULD NOT BE USED WITHOUT WRITTEN PERMISSION

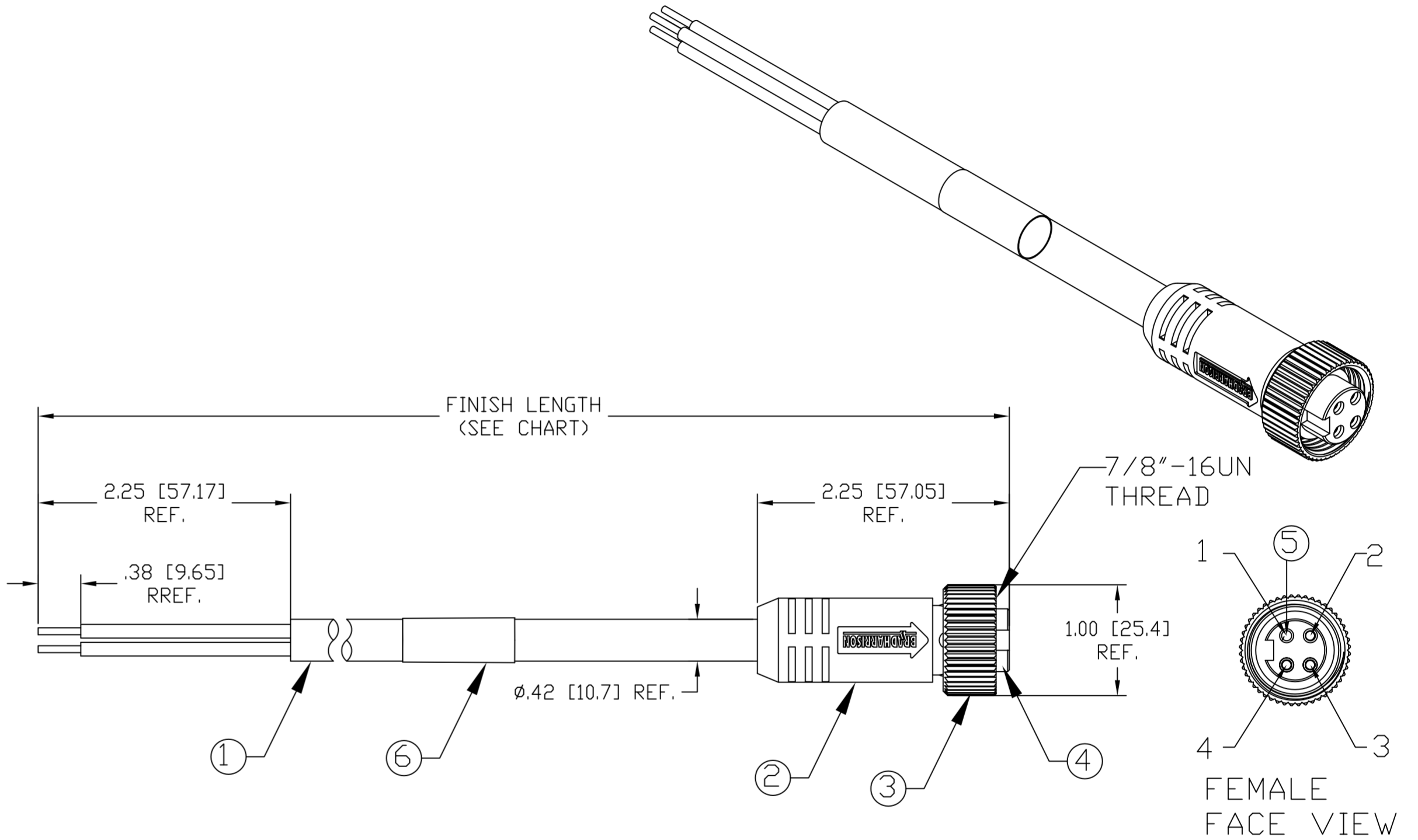
SYMBOLS	DIMENSION UNITS: INCH/MM	SCALE: 1:1	CURRENT REV DESC: REDRAWN, WAS SD-130006-010
▽ = 0	GENERAL TOLERANCES (UNLESS SPECIFIED)		EC NO: 624117
▽ = 0	mm	INCH	
▽ = 0	4 PLACES ±----	±----	DRWN: RSTONE 2019/09/11
▽ = 0	3 PLACES ±----	±----	CHK'D: MZIELINSKI 2019/09/19
▽ = 0	2 PLACES ±----	±----	APPR: BWOODMAN 2019/10/03
▽ = 0	1 PLACE ±----	±----	INITIAL REVISION:
▽ = 0	0 PLACES ±----	±----	DRWN: RSTONE 2019/09/11
▽ = 0	ANGULAR TOL ± ---- °		APPR: BWOODMAN 2019/10/03
▽ = 0	DRAFT WHERE APPLICABLE MUST REMAIN WITHIN DIMENSIONS	THIRD ANGLE PROJECTION	DRAWING: C-SIZE
▽ = 0			SERIES: 130006

molex		
MINI CHANGE CABLE ASSY, 4P, FEMALE, STR 16AWG, ST00W, INTERNAL THREAD		
PRODUCT CUSTOMER DRAWING		
DOCUMENT NUMBER	DOC TYPE	DOC PART
1300060725	PSD	000
MATERIAL NUMBER	CUSTOMER	SHEET NUMBER
		1 OF 1

13	12	11	10	9	8	7	6	5	4	3	2	1
PART NUMBER	ENGINEERING NUMBER	FINISH LENGTH										
1300060725	104000A01F030	3.00' +1.75" -0 [.9M +44.5 -0]										
1300060728	104000A01F060	6.00' +2.19" -0 [1.8M +55.6 -0]										
1300060737	104000A01F120	12.00' +3.50" -0 [3.7M +88.9 -0]										
1300060741	104000A01F150	15.00' +6.50" -0 [4.6M +165.1 -0]										
1300060744	104000A01F200	20.00' +6.50" -0 [6.1M +165.1 -0]										
1300060748	104000A01F250	25.00' +12.50" -0 [7.6M +317.5 -0]										
1300060751	104000A01F300	30.00' +12.50" -0 [9.11M +317.5 -0]										

NOTE

- 1) MATERIAL: SEE TABLE
- 2) FINISHES: SEE TABLE
- 3) WRAP LABEL IS MARKED WITH P/N, DATE CODE, VOLTAGE & AMPERAGE
- 4) MATES WITH: MINI CHANGE, 4 POLE RECEPTACLE
- 5) ELECTRICAL DATA:
 INLINE CORDSET
 FEMALE A-SIZE WITH FLYING LEADS
 16AWG UNSHIELDED
 POLES: 4
 MAX. VOLTAGE: 600V
 MAX. CURRENT 10A
 PROTECTION IP67
 TEMPERATURE RANGE: -20°C TO 105°C
- 6) PACKAGING:
 CABLE ASSEMBLIES ARE BAGGED SEPERATELY
 IN POLY BAGS WITH BAR CODE LABEL ATTACHED
 TO OUTSIDE OF BAG.
- 7) ASSEMBLY IS RoHS COMPLIANT.
- 8) CERTIFICATION
 UL RECOGNIZED, FILE NO. E152210
 CSA CERTIFIED, FILE NO. LR6837



P1

1	BLACK
2	WHITE
3	RED
4	GREEN/YELLOW-GND

WIRING DIAGRAM

6	1	LABEL	PLASTIC FILM	BLACK/YELLOW
5	4	CONTACT SOCKET	COPPER ALLOY	GOLD PLATED
4	1	INSERT	PVC	YELLOW
3	1	COUPLING NUT	ZINC DIE CAST	BLACK E-COATED
2	1	OVERMOLD	PVC	YELLOW
1	1	CABLE, 16AWG-4 TYPE ST00W	PVC	YELLOW
ITEM	QTY.	DESCRIPTION	MATERIAL	FINISH

RELEASE EC NO: WNA2010-0397 DRWN: BWOODMAN 12/2/09 CH'KD: --- APPR: JFMURPHY 2010/01/05	DESCRIPTION REV	QUALITY SYMBOL ▽=0 ▽=0	GENERAL TOLERANCES (UNLESS SPECIFIED)		DIMENSION STYLE IN/MM		SCALE 1:1	DESIGN UNITS INCH	THIRD ANGLE PROJECTION		
			mm	INCH	DRAWN BY	DATE	TITLE				
		4 PLACES	±---	±---	TWOLDEGE	2009/07/10	MINI CHANGE ASSEMBLY 4-POLE FEMALE ST 16/4AWG PVC				
		3 PLACES	±.005	±.005	CHECKED BY	DATE					
2 PLACES	±.013	±.010	BWOODMAN	2009/07/10	MOLEX INCORPORATED						
1 PLACE	±.025	±.020	APPROVED BY	DATE							
	ANGULAR ±1/2°		JFMURPHY	2010/01/05	MATERIAL NO.		DOCUMENT NO.		SHEET NO.		
	DRAFT WHERE APPLICABLE MUST REMAIN WITHIN DIMENSIONS		SEE CHART		SD-130006-010		1 OF 1				
B		C	THIS DRAWING CONTAINS INFORMATION THAT IS PROPRIETARY TO MOLEX INCORPORATED AND SHOULD NOT BE USED WITHOUT WRITTEN PERMISSION								

X-ON Electronics

Largest Supplier of Electrical and Electronic Components

Click to view similar products for [Molex manufacturer](#):

Other Similar products are found below :

[1201140065](#) [90814-0008](#) [38210-0105](#) [60506-C-50](#) [69008-0971](#) [73108](#) [79516-1043](#) [72903](#) [2002181200](#) [0982660216](#) [68301-1017](#)
[03-12-1016](#) [71506-C](#) [90835-0003](#) [02-09-8104](#) [880504](#) [67490-3220](#) [53254-0710](#) [85071-0017](#) [70984-4008](#) [03-12-2022](#) [89674-0805](#)
[514412093](#) [0151340501](#) [54596-1010](#) [0191310031](#) [503308-4410](#) [02-09-6102](#) [0039000218](#) [89762-1582](#) [0011404526](#) [00136](#) [0022173102](#)
[0026615060](#) [CR4006A30M003](#) [0039532085](#) [58098-0628](#) [0003092041](#) [0008520123](#) [0011030025](#) [0011184017](#) [0022162060](#) [0039302050](#)
[0194180018](#) [01312](#) [M15730061](#) [61432](#) [6150300002](#) [CS63W64](#) [CS8264N](#)