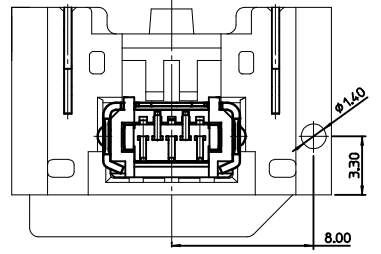
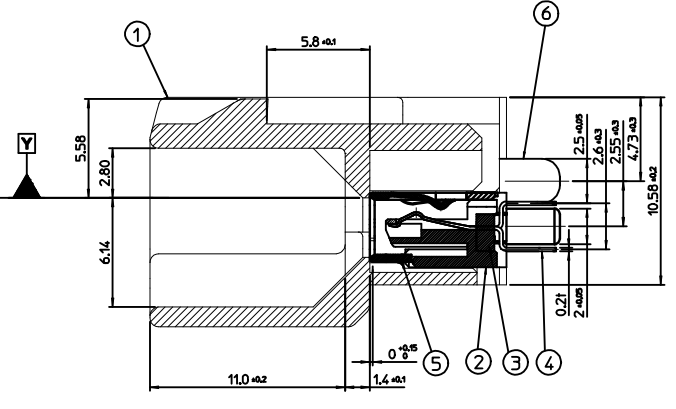
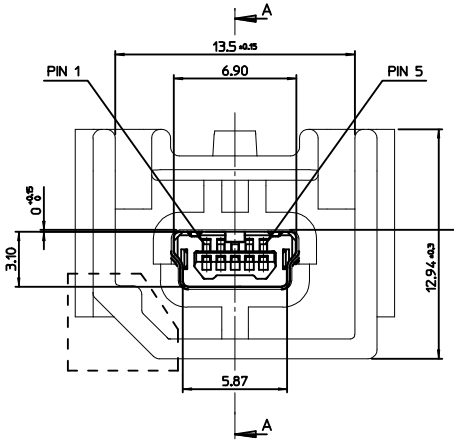


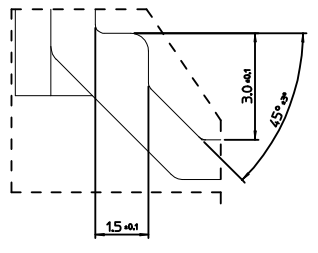
RECOMMENDED PCB LAYOUT



- NOTE**
- MATES WITH :
(MOLEX SERIES NO. - 111014, 111015, 111005, 111041, 111019, 111020)
 - SHROUD GEOMETRY AND ASSEMBLY WITH USB MINI-B CONNECTOR ARE ACCORDING TO USCAR STD 999-U-USB-Z01
 - FINISHES
- TERMINAL :
CONTACT AREA : Au 0.754m MIN.
SOLDER TAIL AREA : TIN 3.84m MIN.
UNDER PLATING : NI 1.04m MIN.
- SHIELD CASE :
3.04m MIN. TIN OVER NI 1.04m MIN.
- FITTING NAIL :
3.04m MIN. TIN OVER NI 1.04m MIN.
 - UNLESS OTHERWISE SPECIFIED, TYPICAL RECOMMENDED PCB MANUFACTURING TOLERANCE IS ±0.05
 - PACKAGING IS TRAY :
-STD. TYPE :48 PCS/TRAY, 5 TRAY/TRAY BOX, 240 PCS/TRAY BOX, 960 PCS/CARTON BOX)
-ST TYPE:32 PCS/TRAY, 3 TRAY/TRAY BOX, 96 PCS/TRAY BOX, 384 PCS/CARTON BOX)
 - PACKING IS EMBOSS:
"SEE SHEET 2 OF 2 OF THIS PRINT."
 - PRODUCT SPECIFICATION : PS-49616-001
 - PCB THICKNESS : 2.36mm(REFERENCE)

<TABLE 1>

| MATERIAL NO. | ORDER NO. | COLOR | PACKING | PACKING INFO. |
|--------------|-------------|-------|---------|---------------|
| 1040040901 | 104004-0901 | BLACK | TRAY | PK-104004-003 |
| 1040040902 | 104004-0902 | BLACK | ST TRAY | PK-104004-004 |
| 1040040903 | 104004-0903 | BLACK | EMBOSS | PK-104004-005 |



<PARTS LIST>

| NO. | PART NAME | MATERIAL |
|-----|--------------------|-----------------------------|
| 1 | SHROUD-A | LCP, GLASS FILLED, UL94 V-0 |
| 2 | RECEPTACLE HOUSING | LCP, GLASS FILLED, UL94 V-0 |
| 3 | CONTACT HOUSING | LCP, GLASS FILLED, UL94 V-0 |
| 4 | CONTACT TERMINAL | COPPER ALLOY |
| 5 | SHIELD CASE | PHOSPHOR BRONZE |
| 6 | BOARD LOCKS PIN | BRASS |

REVISED
EC NO: KTR2015-0098
DRAWN: IBAEK 2015/04/27
CHKD:
APPR: JYCHOI 2015/05/04
REV DESCRIPTION

QUALITY SYMBOLS
▽=0
▽=0

GENERAL TOLERANCES (UNLESS SPECIFIED)
mm INCH
4 PLACES ± --- ± ---
3 PLACES ± --- ± ---
2 PLACES ± 0.15 ± ---
1 PLACE ± 0.25 ± ---
ANGULAR ± 1°

DRAFT WHERE APPLICABLE
MUST REMAIN
WITHIN DIMENSIONS

DIMENSION STYLE
MM ONLY

DRAWN BY DATE
S.M.KIM 2009/06/17

CHECKED BY DATE
B.C.YOON 2009/06/17

APPROVED BY DATE
JYCHOI 2013/01/07

MATERIAL NO.
SEE TABLE 1

SCALE
5:1

DESIGN UNITS
METRIC

THIRD ANGLE PROJECTION

TITLE
USCAR USB MINI B CONN
VERTICAL A
(LONG TERMINAL VERSION)

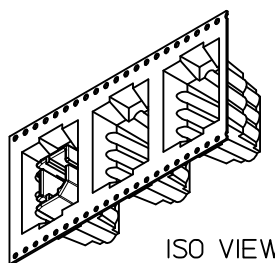
MOLEX INCORPORATED

DOCUMENT NO.
SD-104004-006

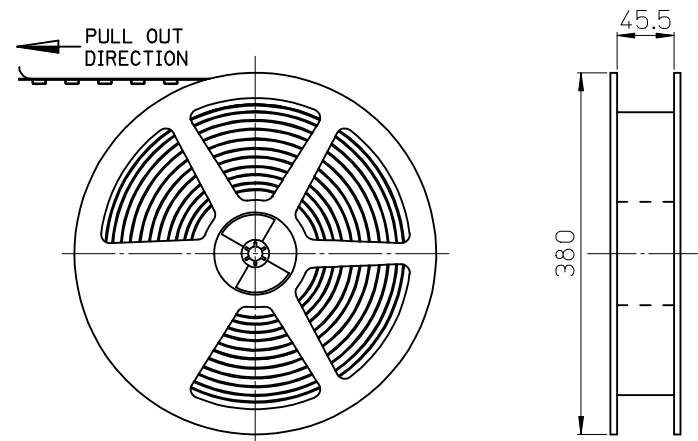
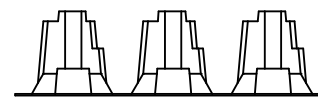
SHEET NO.
1 OF 2

SIZE
THIS DRAWING CONTAINS INFORMATION THAT IS PROPRIETARY TO MOLEX INCORPORATED AND SHOULD NOT BE USED WITHOUT WRITTEN PERMISSION

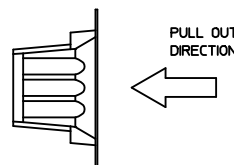
7 6 5 4 3 2 1



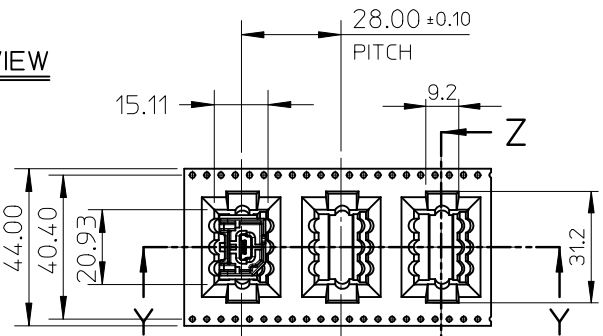
ISO VIEW



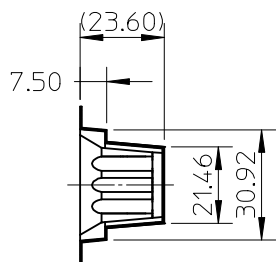
PLASTIC BOBBIN



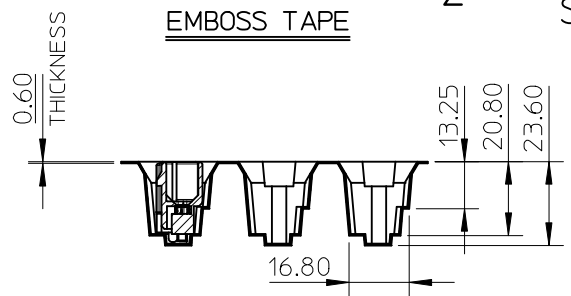
PULL OUT DIRECTION



EMBOSS TAPE



SECTION Z-Z



SECTION Y-Y

NOTES

- QUANTITY OF CONNECTORS: 120EA/REEL
- MATERIAL
 - PLASTIC BOBBIN : PS
 - CARRIER TAPE : P.E.T ANTI-STATIC
- LEAD LENGTH
- PEELING OFF FORCE OF COVER TAPE : 0.1N~0.59N(10.2GF~60GF)
 (PEELING DIRECTION AS SHOW IN FOLLOW FIG.)
 PEELING OFF SPEED : 300mm/Min.(Ref.)

5. FLASH IN ANY PORTION SHOULD BE LESS THAN 0.20mm MAX.

| | | | | | | | | | | |
|--|--------------------|-----------------|--|----------------------|---------------------------------------|----------------------|--|------------------------------------|---------------------|---|
| ADDED OPTION EC NO: KTR2015-0089 DRWN: Y1BAEK 2015/04/18 CHKD: APPR: JYCHO1 2015/04/27 | DESCRIPTION REV | QUALITY SYMBOLS | GENERAL TOLERANCES (UNLESS SPECIFIED) | | DIMENSION STYLE | SCALE | DESIGN UNITS | THIRD ANGLE PROJECTION | | |
| | | $F=0$ | mm | INCH | MM ONLY | 1:2 | METRIC | | | |
| | | $F=0$ | 4 PLACES ± --- ± --- | 3 PLACES ± --- ± --- | 2 PLACES ± 0.15 ± --- | 1 PLACE ± 0.25 ± --- | 0 PLACE ± --- ± --- | DRAWN BY DATE Y1BAEK 2015/04/18 | | TITLE USCAR USB MINI B CONN VERTICAL A (LONG TERMINAL VERSION) |
| | | $F=0$ | ANGULAR ± 1 ° | | APPROVED BY DATE JYCHO1 2015/04/27 | | DOCUMENT NO. SD-104004-006 | | SHEET NO. 2 OF 2 | |
| | | A2 | DRAFT WHERE APPLICABLE MUST REMAIN WITHIN DIMENSIONS | | MATERIAL NO. SEE TABLE | | THIS DRAWING CONTAINS INFORMATION THAT IS PROPRIETARY TO MOLEX INCORPORATED AND SHOULD NOT BE USED WITHOUT WRITTEN PERMISSION | | | |

6 5 4 3 2 1

X-ON Electronics

Largest Supplier of Electrical and Electronic Components

Click to view similar products for [Automotive Connectors](#) category:

Click to view products by [Molex](#) manufacturer:

Other Similar products are found below :

[003-018-000](#) [60403001](#) [60993906-B](#) [M902-2131](#) [M902-2161](#) [72.330.1035.1](#) [73.353.4028.0](#) [F119300-B](#) [F166900](#) [F258300-B](#) [F358300-B](#)
[F407400](#) [F444110](#) [F487000](#) [F509500B-B](#) [827153-1](#) [8N1515-32-24P](#) [9-1326729-8](#) [925474-1](#) [928905-1](#) [964562-4](#) [968782-1](#) [GT17SA-8DS-](#)
[HU](#) [98891-1012](#) [98947-1016](#) [12004147](#) [12004475-L](#) [12010290](#) [12010309-B](#) [12015454](#) [12020219-B](#) [12020308](#) [12041318-B](#) [12052225-L](#)
[12052466](#) [12059125](#) [12064869](#) [12004327-B](#) [12010503-B](#) [12015308](#) [12015384](#) [12015909](#) [1-21030-1](#) [12041254](#) [12041318](#) [12047946-B](#)
[12047957](#) [12047957-L](#) [12059473](#) [12066261](#)