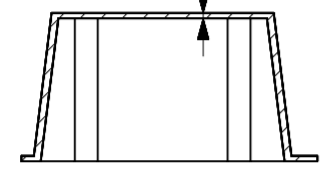


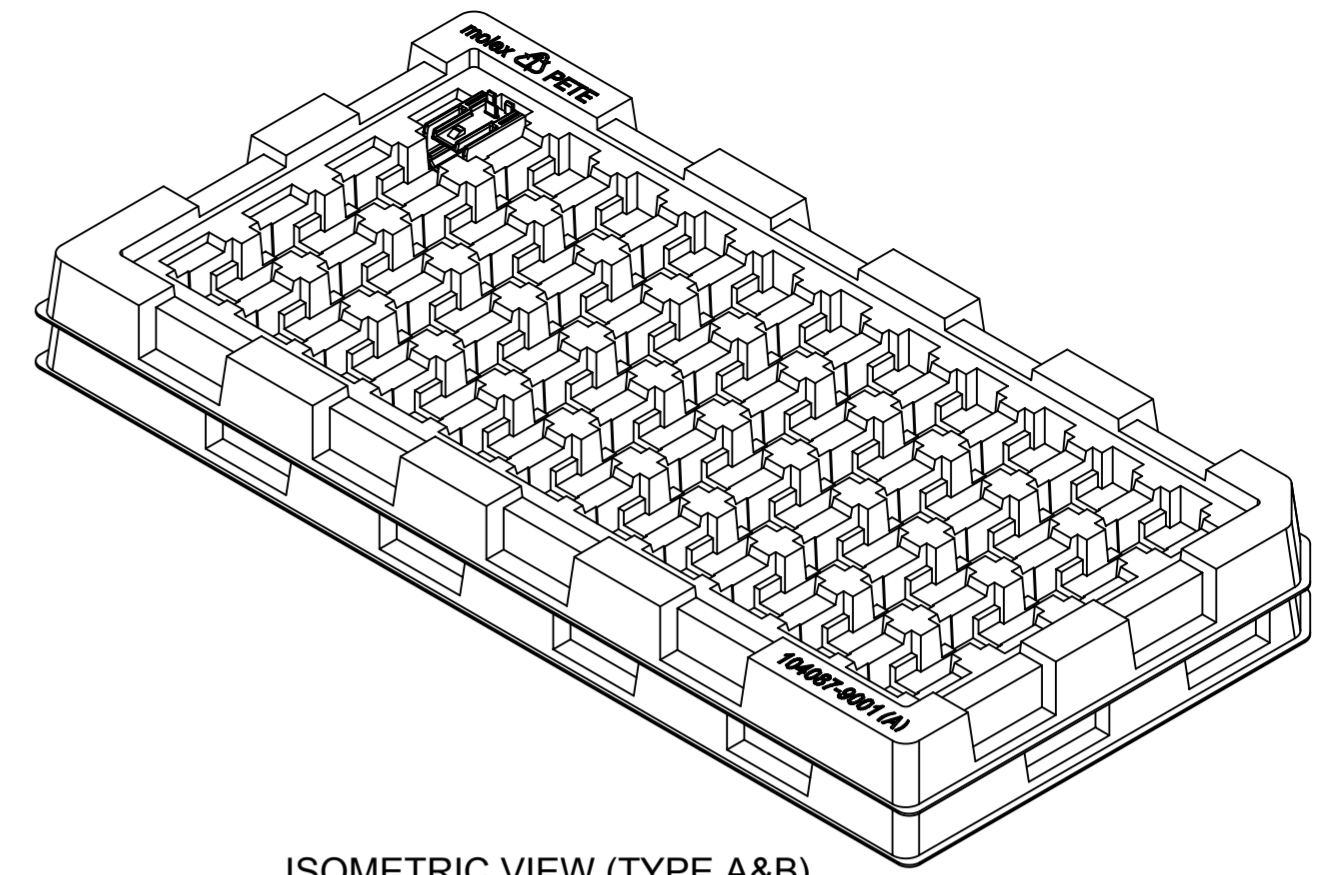
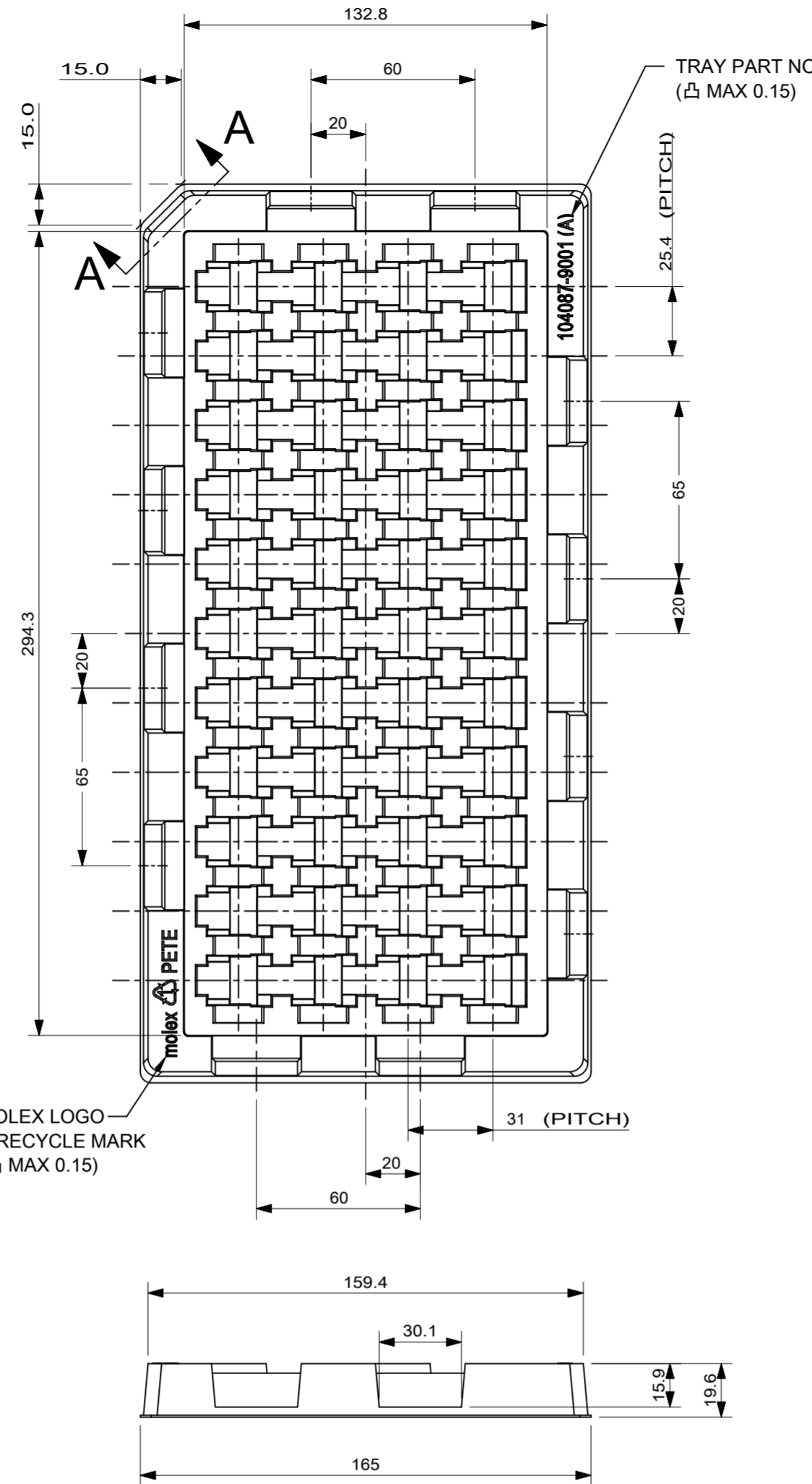
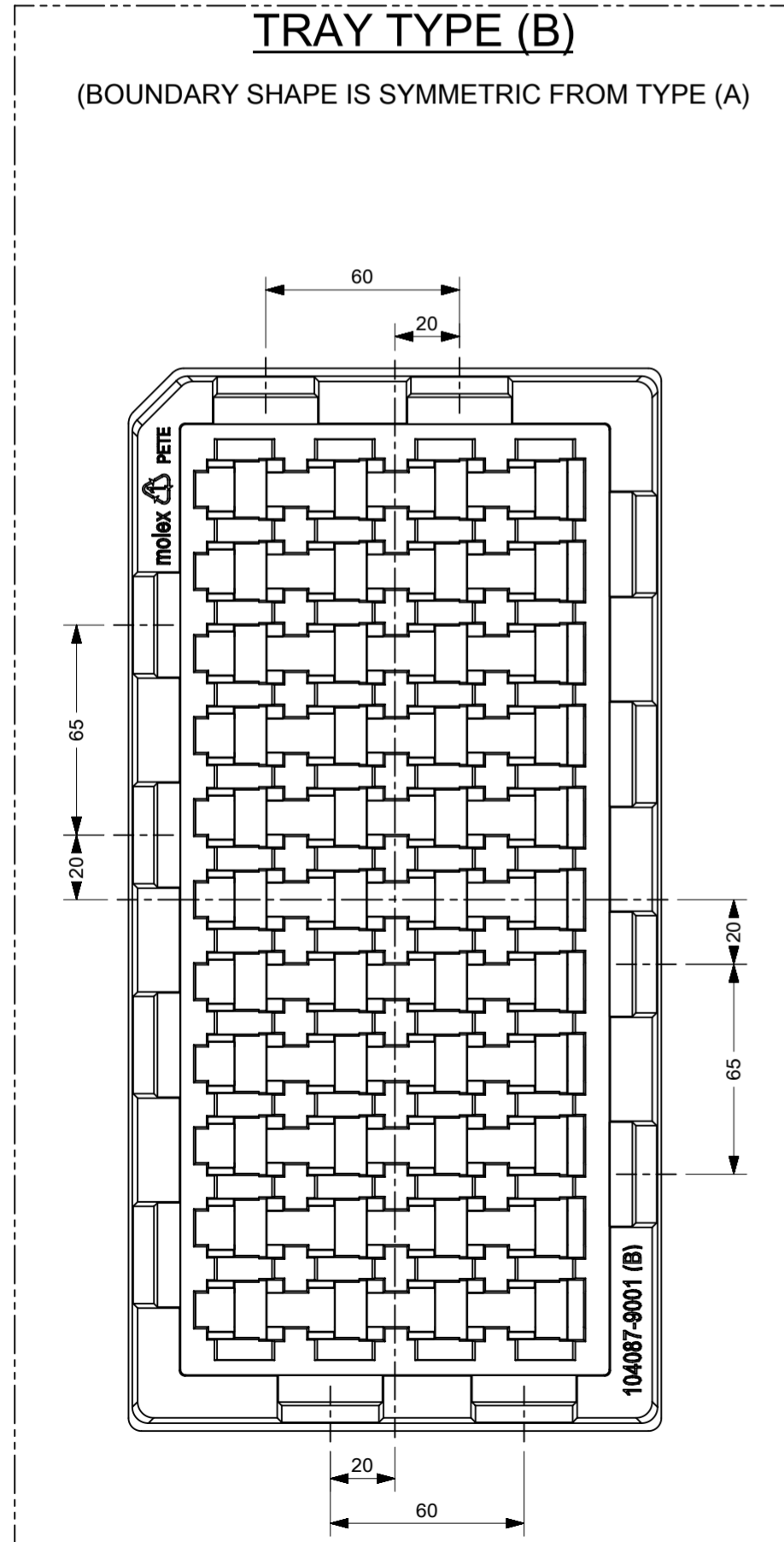
THICKNESS MEASURING AREA
THICKNESS: MIN. 0.7mm (AFTER FORMING)



SECTION A-A
SCALE 1:1

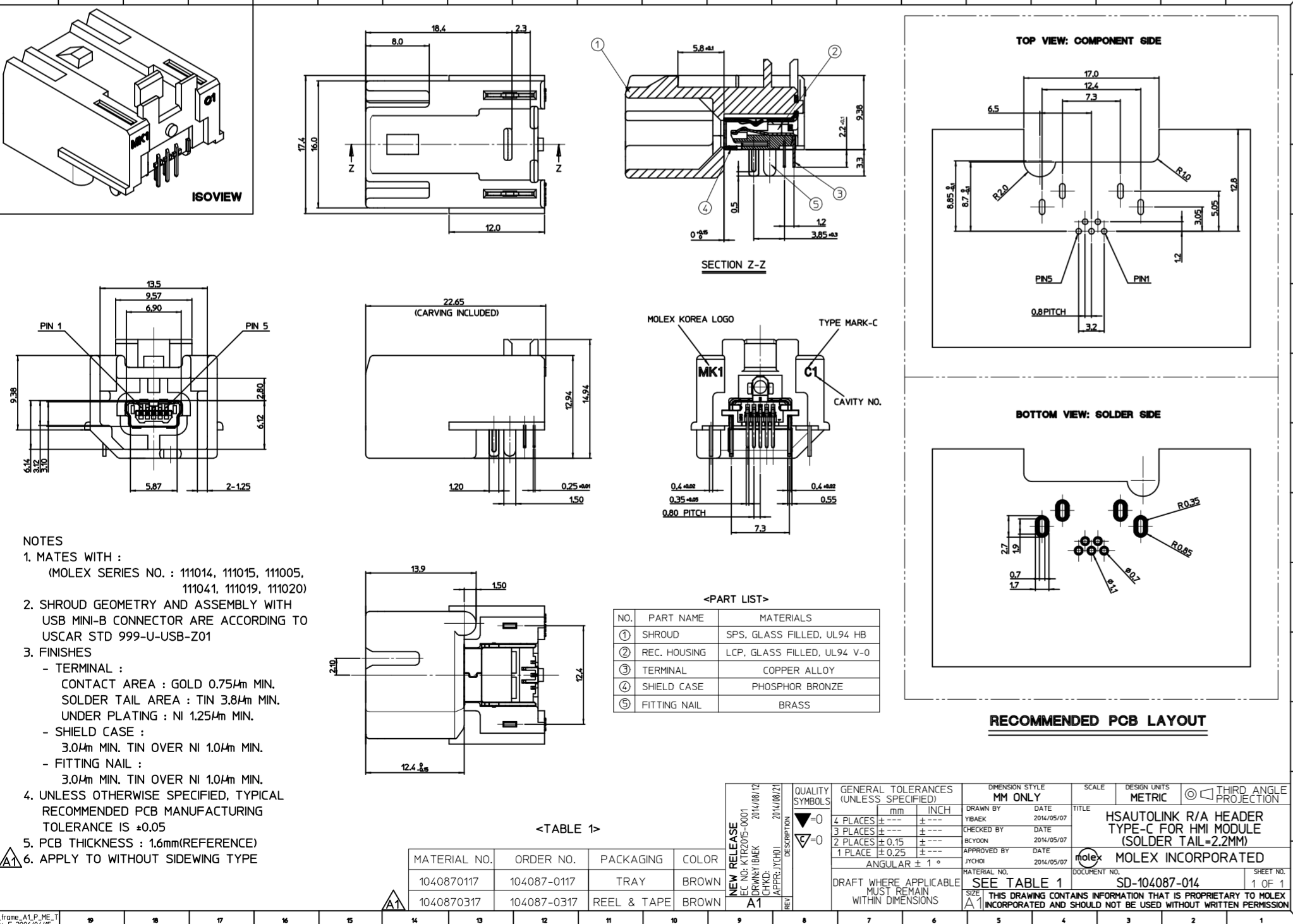
TRAY TYPE (B)

(BOUNDARY SHAPE IS SYMMETRIC FROM TYPE (A))



ISOMETRIC VIEW (TYPE A&B)
SCALE 1:2

SYMBOLS	THIS DRAWING CONTAINS INFORMATION THAT IS PROPRIETARY TO MOLEX ELECTRONIC TECHNOLOGIES, LLC AND SHOULD NOT BE USED WITHOUT WRITTEN PERMISSION					
	DIMENSION UNITS	SCALE				
▽ = 0	mm	1:2	EC NO: 609398			HSAUTOLINK R/A HEADER TRAY FOR HMI MODULE
▽ = 0	GENERAL TOLERANCES (UNLESS SPECIFIED)		DRWN: SPARK04	2018/12/20	PRODUCT CUSTOMER DRAWING	
▽ = 0	ANGULAR TOL ± 1.0°		CHK'D: JHJANG	2019/01/08		DOCUMENT NUMBER: SD-104087-001 DOC TYPE: PSD DOC PART: 001 REVISION: A2
▽ = 0	4 PLACES ±		APPR: JHJANG	2019/01/08	MATERIAL NUMBER: 1040879001 CUSTOMER: GENERAL MARKET SHEET NUMBER: 1 OF 1	
▽ = 0	3 PLACES ±		INITIAL REVISION:			
▽ = 0	2 PLACES ± 0.3		DRWN: BCYOON	2011/02/01		
▽ = 0	1 PLACE ± 0.5		APPR: YUNSIKKIM	2011/02/14		
▽ = 0	0 PLACES ±		THIRD ANGLE PROJECTION			
▽ = 0	DRAFT WHERE APPLICABLE MUST REMAIN WITHIN DIMENSIONS		DRAWING: A2-SIZE	SERIES: 104087		



ISOVIEW

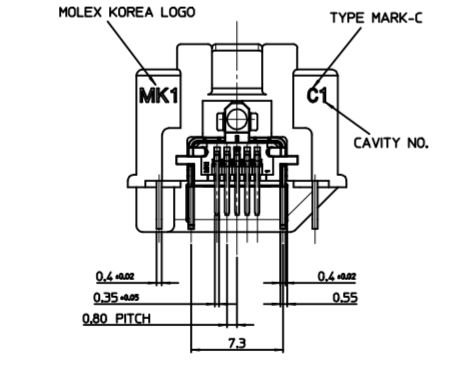
TOP VIEW: COMPONENT SIDE

BOTTOM VIEW: SOLDER SIDE

SECTION Z-Z

RECOMMENDED PCB LAYOUT

- NOTES
- MATES WITH :
(MOLEX SERIES NO. : 111014, 111015, 111005, 111041, 111019, 111020)
 - SHROUD GEOMETRY AND ASSEMBLY WITH USB MINI-B CONNECTOR ARE ACCORDING TO USCAR STD 999-U-USB-Z01
 - FINISHES :
- TERMINAL :
 CONTACT AREA : GOLD 0.75µm MIN.
 SOLDER TAIL AREA : TIN 3.8µm MIN.
 UNDER PLATING : NI 1.25µm MIN.
- SHIELD CASE :
 3.0µm MIN. TIN OVER NI 1.0µm MIN.
- FITTING NAIL :
 3.0µm MIN. TIN OVER NI 1.0µm MIN.
 - UNLESS OTHERWISE SPECIFIED, TYPICAL RECOMMENDED PCB MANUFACTURING TOLERANCE IS ±0.05
 - PCB THICKNESS : 1.6mm(REFERENCE)
 - APPLY TO WITHOUT SIDING TYPE



<PART LIST>

NO.	PART NAME	MATERIALS
①	SHROUD	SPS, GLASS FILLED, UL94 HB
②	REC. HOUSING	LCP, GLASS FILLED, UL94 V-0
③	TERMINAL	COPPER ALLOY
④	SHIELD CASE	PHOSPHOR BRONZE
⑤	FITTING NAIL	BRASS

<TABLE 1>

MATERIAL NO.	ORDER NO.	PACKAGING	COLOR
1040870117	104087-0117	TRAY	BROWN
1040870317	104087-0317	REEL & TAPE	BROWN

QUALITY SYMBOLS GENERAL TOLERANCES (UNLESS SPECIFIED) DIMENSION STYLE: MM ONLY SCALE: DESIGN UNITS METRIC THIRD ANGLE PROJECTION DIMENSION STYLE: SEE TABLE 1 SCALE: SEE TABLE 1 DRAFT WHERE APPLICABLE MUST REMAIN WITHIN DIMENSIONS	DRAWN BY: YBAEK CHECKED BY: BGYOON APPROVED BY: JYCHO DATE: 2014/05/07 DATE: 2014/05/07 DATE: 2014/05/07	TITLE: HSAUTOLINK R/A HEADER TYPE-C FOR HMI MODULE (SOLDER TAIL=2.2MM) MOLEX INCORPORATED	DOCUMENT NO.: SD-104087-014 SHEET NO.: 1 OF 1
--	---	--	--

X-ON Electronics

Largest Supplier of Electrical and Electronic Components

Click to view similar products for [High Speed/Modular Connectors](#) category:

Click to view products by [Molex](#) manufacturer:

Other Similar products are found below :

[650827-1](#) [74040-1346](#) [1410191-1](#) [1410337-1](#) [1410368-3](#) [1410964-2](#) [1410326-3](#) [1410367-3](#) [1410971-4](#) [1467833-1](#) [2000877-1](#) [2000878-1](#)
[2041314-1](#) [2065387-1](#) [2187307-1](#) [163P](#) [1934290-1](#) [2000875-1](#) [2065917-1](#) [2102736-2](#) [FSR-40](#) [2169868-2](#) [22354-8](#) [437-5040-000](#) [5-](#)
[1393565-0](#) [039-0246-000](#) [0740618502](#) [0761601016](#) [0784461022](#) [10123159-12ELF](#) [030-2415-003/100 PK](#) [030-7380-004](#) [030-2494-001](#)
[532939-1](#) [5532901-3](#) [3-1469268-7](#) [74748-102LF](#) [73670-0247](#) [10041743-101LF](#) [10066670-100002LF](#) [1-533915-1](#) [249-4515-000](#) [7-1469373-](#)
[3](#) [DL2-2J/S](#) [2000713-8](#) [2000713-7](#) [10124313-101LF](#) [3011-21](#) [757105208](#) [EBTF-4-10-2.0-S-RA-1](#)