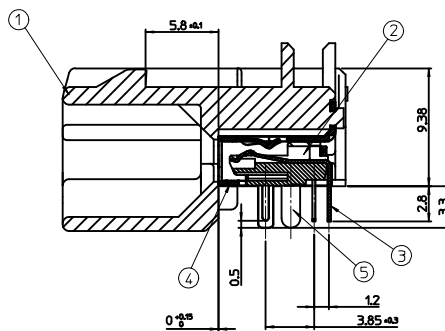
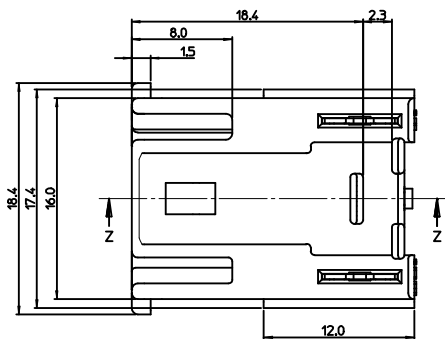
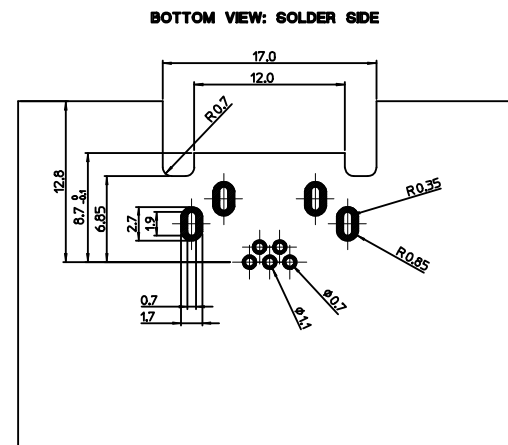
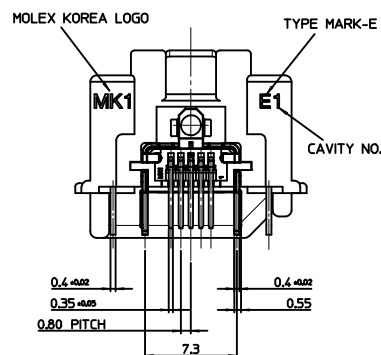
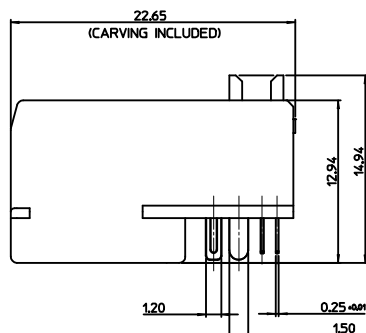
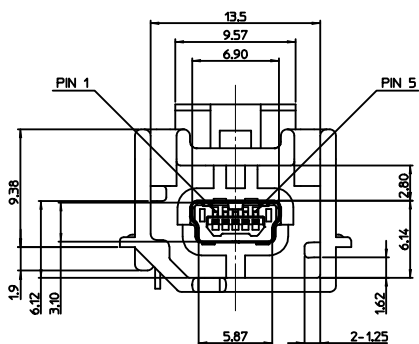
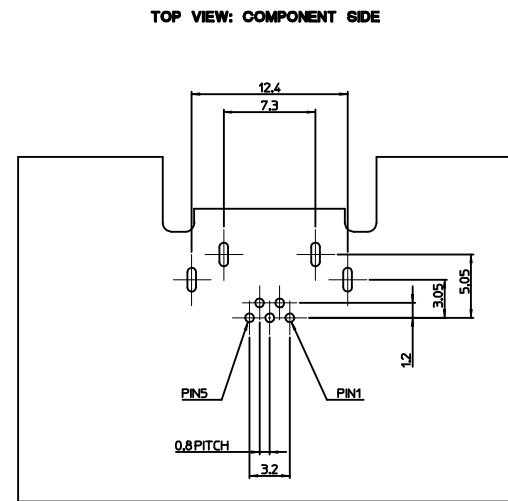


ISOVIEW



SECTION Z-Z

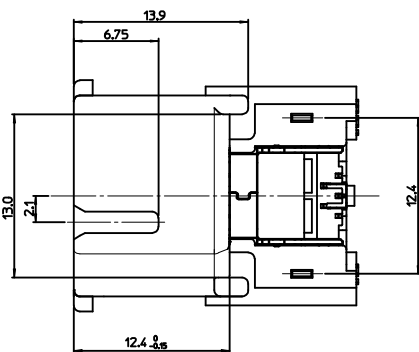


GENERAL TOLERANCE : ±0.05

RECOMMENDED PCB LAYOUT

NOTES

- MATES WITH :
(MOLEX SERIES NO. : 111014, 111015, 111005, 111041, 111019, 111020)
- SHROUD GEOMETRY AND ASSEMBLY WITH USB MINI-B CONNECTOR ARE ACCORDING TO USCAR STD 999-U-USB-Z01
- FINISHES
 - TERMINAL :
CONTACT AREA : GOLD 0.75µm MIN.
SOLDER TAIL AREA : TIN 3.8µm MIN.
UNDER PLATING : NI 1.25µm MIN.
 - SHIELD CASE :
3.0µm MIN. TIN OVER NI 1.0µm MIN.
 - FITTING NAIL :
3.0µm MIN. TIN OVER NI 1.0µm MIN.
- UNLESS OTHERWISE SPECIFIED, TYPICAL RECOMMENDED PCB MANUFACTURING TOLERANCE IS ±0.05
- PCB THICKNESS : 1.6mm(REFERENCE)



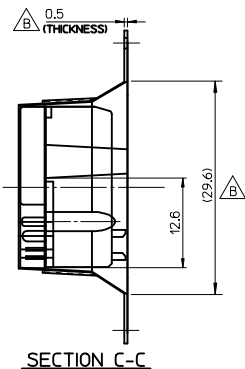
<PART LIST>

NO.	PART NAME	MATERIALS
①	SHROUD	SPS, GLASS FILLED, UL94 HB
②	REC. HOUSING	LCP, GLASS FILLED, UL94 V-0
③	TERMINAL	COPPER ALLOY
④	SHIELD CASE	PHOSPHOR BRONZE
⑤	FITTING NAIL	BRASS

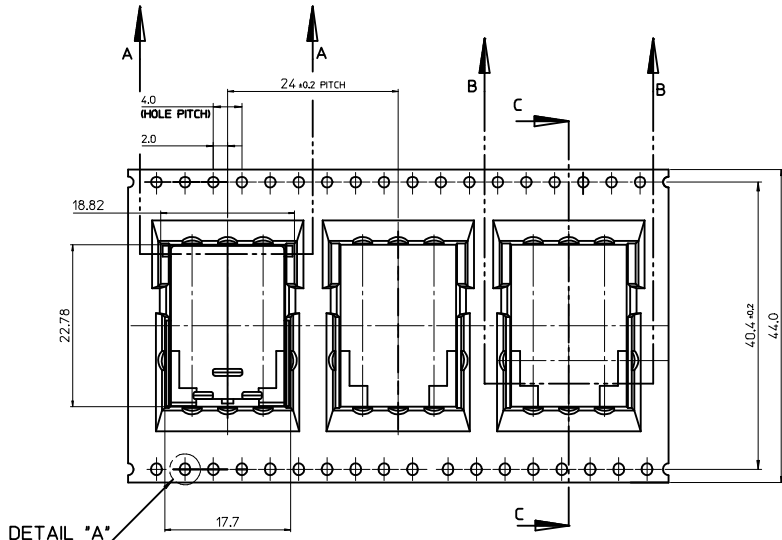
<TABLE 1>

MATERIAL NO.	ORDER NO.	PACKAGING	COLOR
1040870924	104087-0924	TAPE & REEL	BLUE

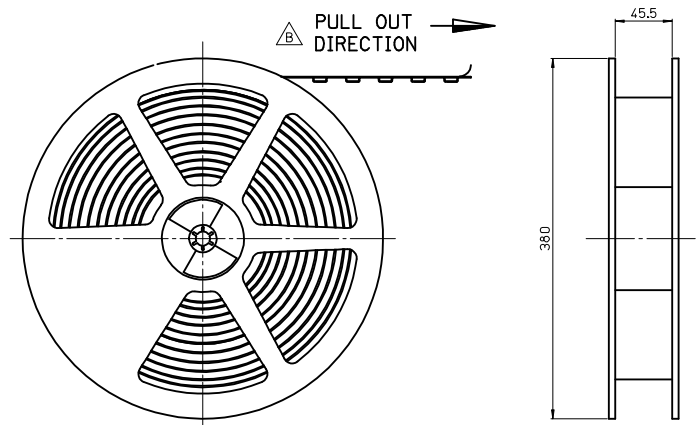
DRAWING ERROR EC NO: K1R207-0033 DRAWING NO: 2017/01/14 CHKD: JHBAE APPR: JIJIANG	QUALITY SYMBOLS	GENERAL TOLERANCES (UNLESS SPECIFIED)	DIMENSION STYLE	SCALE	DESIGN UNITS	THIRD ANGLE PROJECTION
	▽=0	mm INCH	MM ONLY	5:1	METRIC	☐
	▽=0.1	4 PLACES ± --- ± ---	DRAWN BY	DATE	TITLE	HSAUTOLINK R/A HEADER TYPE-E FOR HMI MODULE (TAPE & REEL PACKING)
	▽=0.2	3 PLACES ± --- ± ---	HIMOON	2013/05/02	SEE TABLE 1	
▽=0.3	2 PLACES ± 0.15 ± ---	CHECKED BY	DATE	DOCUMENT NO.		
▽=0.4	1 PLACE ± 0.25 ± ---	BCYOON	2013/05/02	SD-104087-008		
▽=0.5	0 PLACE ± --- ± ---	APPROVED BY	DATE	SHEET NO.	1 OF 2	
		JHBAE	2013/07/30			
		DESCRIPTION	MATERIAL NO.	THIS DRAWING CONTAINS INFORMATION THAT IS PROPRIETARY TO MOLEX INCORPORATED AND SHOULD NOT BE USED WITHOUT WRITTEN PERMISSION		



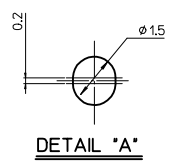
SECTION C-C



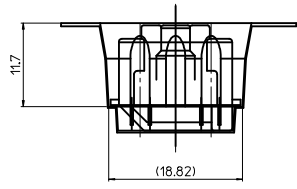
EMBOSS TAPE



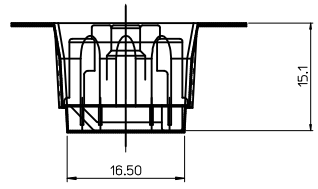
PLASTIC BOBBIN



DETAIL "A"



SECTION A-A



SECTION B-B

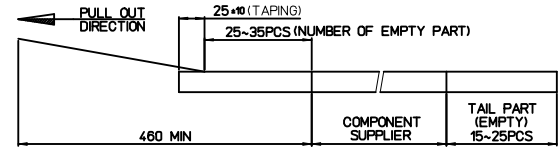
NOTES

1. QUANTITY OF CONNECTORS : 200EA/REEL

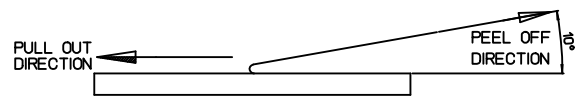
2. MATERIAL

- EMBOSS TAPE : P.E.T ANTISTATIC
- PASTIC BOBBIN : P.S

3. LEAD LENGTH

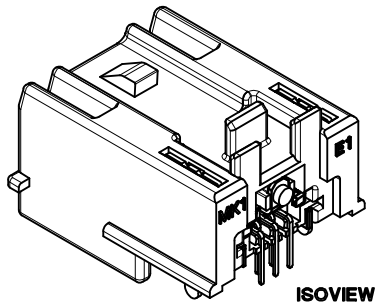


4. PEELING OFF FORCE OF COVER TAPE : 0.1N~0.59N(10.2GF~60GF)
 (PEELING DIRECTION AS SHOW IN FOLLOW FIG.)
 PEELING OFF SPEED : 300mm/Min.(Ref.)

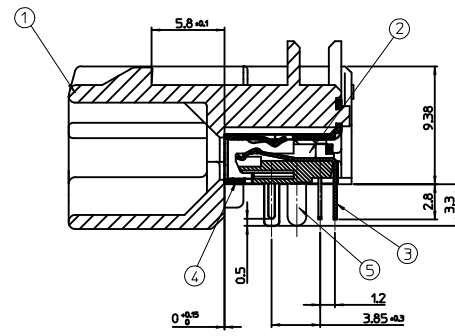
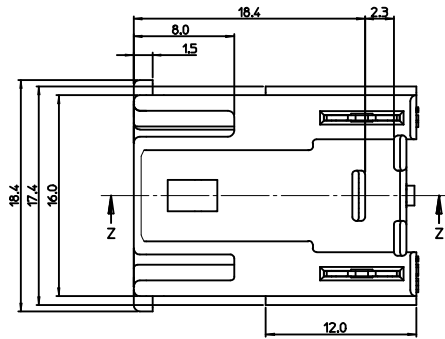


5. FLASH IN ANY PORTION SHOULD BE LESS THAN 0.20mm MAX.

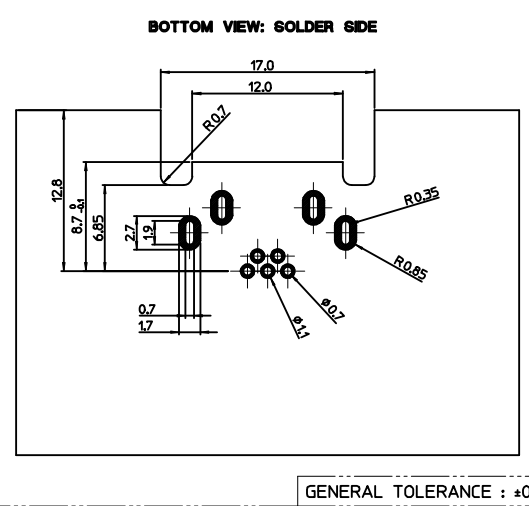
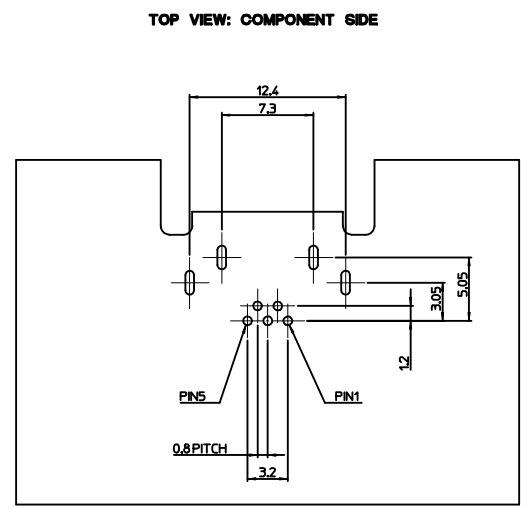
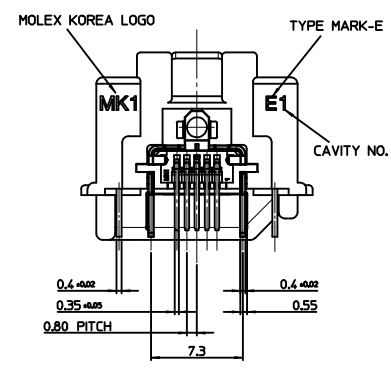
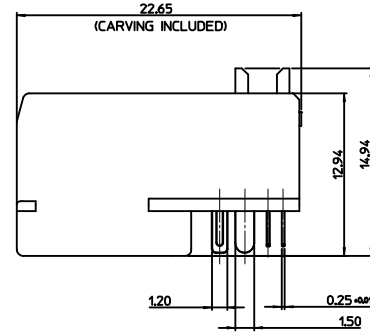
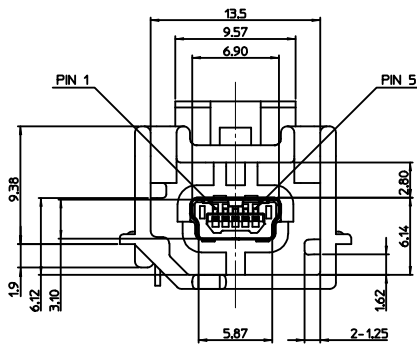
DRAWING ERROR EC NO: KTR2017-0033 DRAWN: JMK/INO2 2017/01/14 CHKD: JMK/INO2 APPR: JHJANG 2017/03/20	QUALITY SYMBOLS	GENERAL TOLERANCES (UNLESS SPECIFIED)		DIMENSION STYLE MM ONLY		SCALE 5:1	DESIGN UNITS METRIC	THIRD ANGLE PROJECTION
	▽=0	mm	INCH	DRAWN BY HIMOON	DATE 2013/05/02	TITLE HSAUTOLINK R/A HEADER TYPE-E FOR HMI MODULE (TAPE & REEL PACKING)		
	▽=0	4 PLACES ± ---	± ---	CHECKED BY BCYOON	DATE 2013/05/02	molex MATERIAL NO. SD-104087-008 DOCUMENT NO.		
	▽=0	3 PLACES ± ---	± ---	APPROVED BY JHBAE	DATE 2013/07/30			
		2 PLACES ± 0.15	± ---	THIS DRAWING CONTAINS INFORMATION THAT IS PROPRIETARY TO MOLEX INCORPORATED AND SHOULD NOT BE USED WITHOUT WRITTEN PERMISSION				
		1 PLACE ± 0.25	± ---					
		0 PLACE ± ---	± ---					
		ANGULAR ± 1 °						
		DRAFT WHERE APPLICABLE MUST REMAIN WITHIN DIMENSIONS						



ISOVIEW



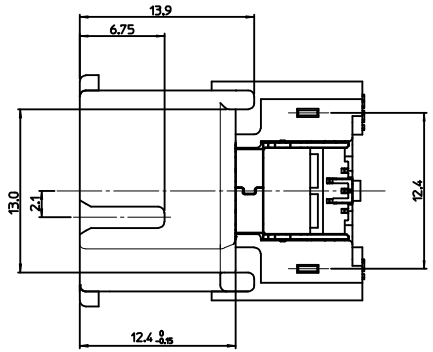
SECTION Z-Z



GENERAL TOLERANCE : ±0.05

RECOMMENDED PCB LAYOUT

- NOTES
- MATES WITH :
(MOLEX SERIES NO. : 111014, 111015, 111005, 111041, 111019, 111020)
 - SHROUD GEOMETRY AND ASSEMBLY WITH USB MINI-B CONNECTOR ARE ACCORDING TO USCAR STD 999-U-USB-Z01
 - FINISHES
 - TERMINAL :
CONTACT AREA : GOLD 0.75µm MIN.
SOLDER TAIL AREA : TIN 3.8µm MIN.
UNDER PLATING : NI 1.25µm MIN.
 - SHIELD CASE :
3.0µm MIN. TIN OVER NI 1.0µm MIN.
 - FITTING NAIL :
3.0µm MIN. TIN OVER NI 1.0µm MIN.
 - UNLESS OTHERWISE SPECIFIED, TYPICAL RECOMMENDED PCB MANUFACTURING TOLERANCE IS ±0.05
 - PCB THICKNESS : 1.6mm(REFERENCE)



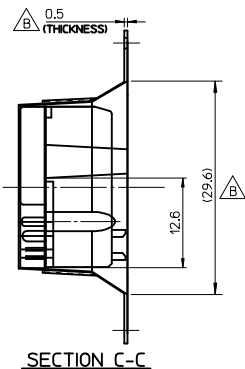
<PART LIST>

NO.	PART NAME	MATERIALS
①	SHROUD	SPS, GLASS FILLED, UL94 HB
②	REC. HOUSING	LCP, GLASS FILLED, UL94 V-0
③	TERMINAL	COPPER ALLOY
④	SHIELD CASE	PHOSPHOR BRONZE
⑤	FITTING NAIL	BRASS

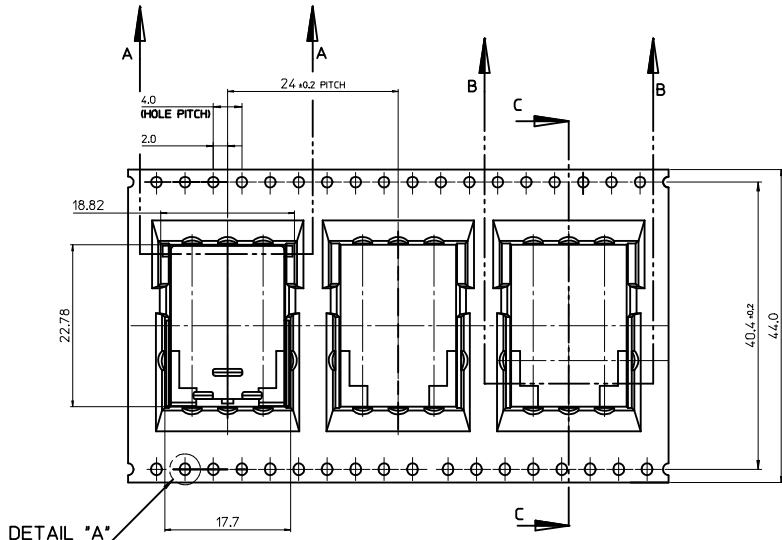
<TABLE 1>

MATERIAL NO.	ORDER NO.	PACKAGING	COLOR
1040870924	104087-0924	TAPE & REEL	BLUE

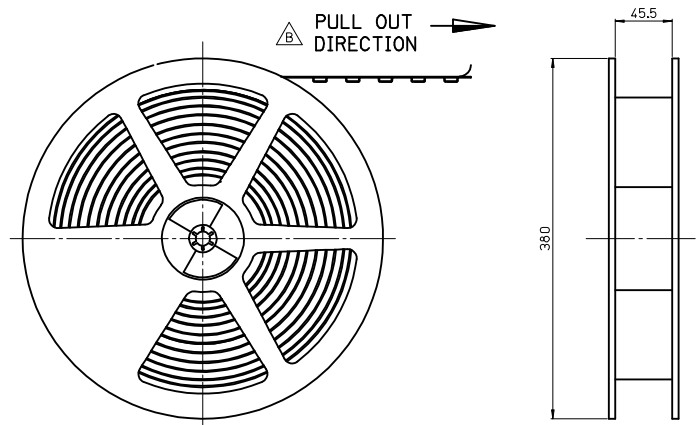
DRAWING ERROR EC NO: K1R207-0033 DRAWING INQ2 2017/01/14 CHKD: APPR: JIJIANG REV	QUALITY SYMBOLS	GENERAL TOLERANCES (UNLESS SPECIFIED)	DIMENSION STYLE	SCALE	DESIGN UNITS	THIRD ANGLE PROJECTION
	▽=0	mm INCH	MM ONLY	5:1	METRIC	
	▽=0.1	4 PLACES ± --- ± ---	DRAWN BY	DATE	TITLE	
	▽=0.2	3 PLACES ± --- ± ---	HIMOON	2013/05/02	HSAUTOLINK R/A HEADER TYPE-E FOR HMI MODULE (TAPE & REEL PACKING)	
▽=0.3	2 PLACES ± 0.15 ± ---	CHECKED BY	DATE			
▽=0.4	1 PLACE ± 0.25 ± ---	BCYOON	2013/05/02			
▽=0.5	0 PLACE ± --- ± ---	APPROVED BY	DATE			
		JHBAE	2013/07/30			
		MATERIAL NO.	DOCUMENT NO.			
		SEE TABLE 1	SD-104087-008			
		THIS DRAWING CONTAINS INFORMATION THAT IS PROPRIETARY TO MOLEX INCORPORATED AND SHOULD NOT BE USED WITHOUT WRITTEN PERMISSION				



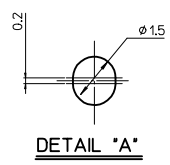
SECTION C-C



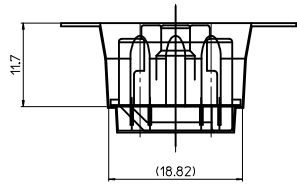
EMBOSS TAPE



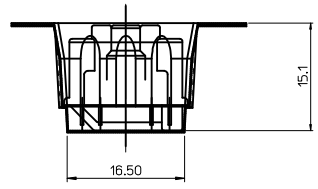
PLASTIC BOBBIN



DETAIL "A"



SECTION A-A

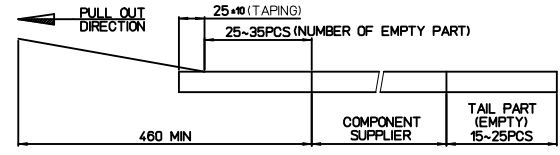


SECTION B-B

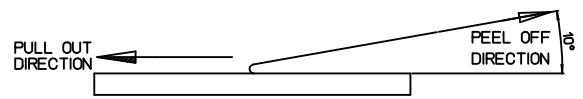
NOTES

1. QUANTITY OF CONNECTORS : 200EA/REEL
2. MATERIAL
 - EMBOSS TAPE : P.E.T ANTISTATIC
 - PASTIC BOBBIN : P.S

3. LEAD LENGTH



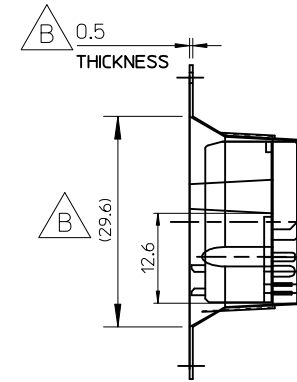
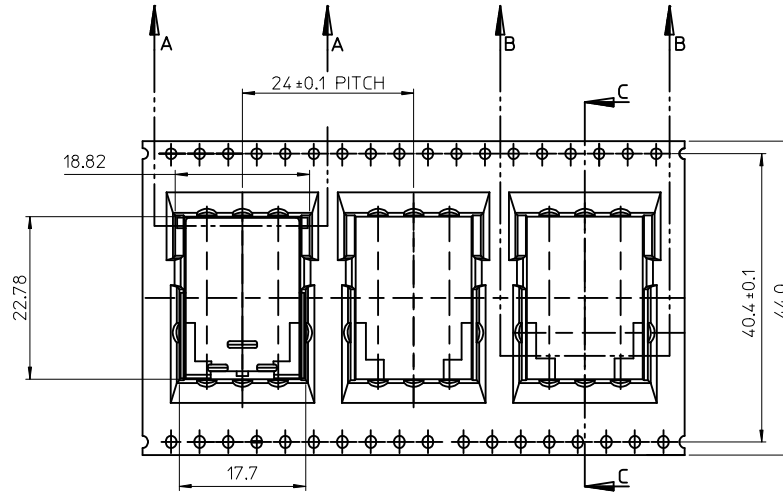
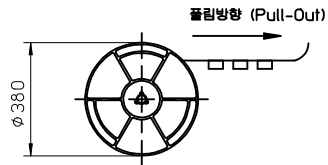
4. PEELING OFF FORCE OF COVER TAPE : 0.1N~0.59N(10.2GF~60GF)
(PEELING DIRECTION AS SHOW IN FOLLOW FIG.)
PEELING OFF SPEED : 300mm/Min.(Ref.)



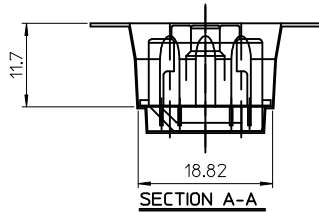
5. FLASH IN ANY PORTION SHOULD BE LESS THAN 0.20mm MAX.

DRAWING ERROR EC NO: KTR2017-0033 DRAWN: JMK/INO2 2017/01/14 CHKO: JMK/INO2 APPR: JHJANG 2017/03/20	QUALITY SYMBOLS	GENERAL TOLERANCES (UNLESS SPECIFIED)		DIMENSION STYLE MM ONLY		SCALE 5:1	DESIGN UNITS METRIC	THIRD ANGLE PROJECTION
	▽=0	mm	INCH	DRAWN BY HIMOON	DATE 2013/05/02	TITLE HSAUTOLINK R/A HEADER TYPE-E FOR HMI MODULE (TAPE & REEL PACKING)		
	▽=0	4 PLACES ± ---	± ---	CHECKED BY BCYOON	DATE 2013/05/02			
	▽=0	3 PLACES ± ---	± ---	APPROVED BY JHBAE	DATE 2013/07/30			
				ANGULAR ± 1 °		THIS DRAWING CONTAINS INFORMATION THAT IS PROPRIETARY TO MOLEX INCORPORATED AND SHOULD NOT BE USED WITHOUT WRITTEN PERMISSION		
		DRAFT WHERE APPLICABLE MUST REMAIN WITHIN DIMENSIONS						

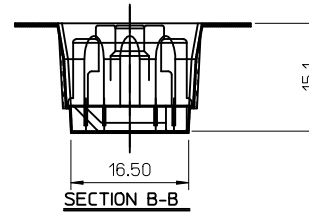
B TAPING STYLE



SECTION C-C



SECTION A-A



SECTION B-B

NOTES

1. MATERIAL
 - PLASTIC BOBBIN : P.S
 - CARRIER TAPE : P.E.T ANTISTATIC
- B** 2. THICKNESS : 0.5±0.05
3. PACKING QUANTITY : 200 PCS / 1 REEL

<TABLE>	
MATERIAL NO.	ORDER NO.
1040879002	104087-9002

DRAWING ERROR
 EC NO: KTR2017-0033
 DRWN: JMK/IM02 2017/01/14
 CHKD:
 APPR: JHJANG 2017/03/20

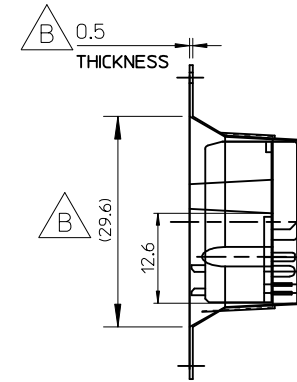
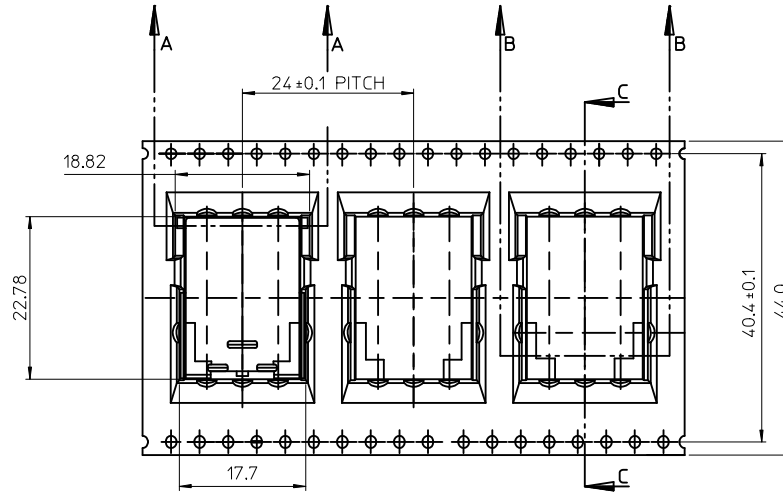
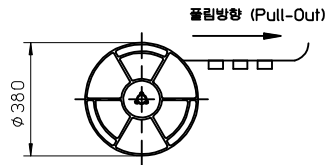
QUALITY SYMBOLS
 = 0
 = 0.05

GENERAL TOLERANCES (UNLESS SPECIFIED)		
	mm	INCH
4 PLACES	± ---	± ---
3 PLACES	± ---	± ---
2 PLACES	± 0.15	± ---
1 PLACE	± 0.25	± ---
ANGULAR ± 1 °		
DRAFT WHERE APPLICABLE MUST REMAIN WITHIN DIMENSIONS		

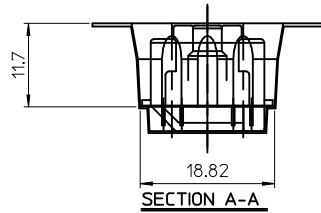
DIMENSION STYLE	
MM ONLY	
DRAWN BY	DATE
HIMOON	2013/05/02
CHECKED BY	DATE
BCYOON	2013/05/02
APPROVED BY	DATE
JHJANG	2017/03/20
MATERIAL NO.	SEE TABLE

SCALE	DESIGN UNITS	THIRD ANGLE PROJECTION
	METRIC	
TITLE		
HSAUTOLINK R/A HEADER TYPE-E FOR HMI MODULE (TAPE & REEL PACKING)		
molex MOLEX INCORPORATED		
MATERIAL NO.	DOCUMENT NO.	SHEET NO.
SEE TABLE	SD-104087-011	1 OF 1
THIS DRAWING CONTAINS INFORMATION THAT IS PROPRIETARY TO MOLEX INCORPORATED AND SHOULD NOT BE USED WITHOUT WRITTEN PERMISSION		

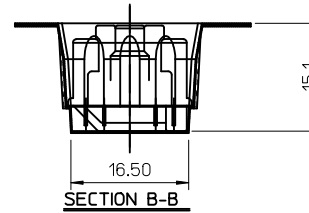
B TAPING STYLE



SECTION C-C



SECTION A-A



SECTION B-B

NOTES

1. MATERIAL
 - PLASTIC BOBBIN : P.S
 - CARRIER TAPE : P.E.T ANTISTATIC
- B** 2. THICKNESS : 0.5±0.05
3. PACKING QUANTITY : 200 PCS / 1 REEL

<TABLE>	
MATERIAL NO.	ORDER NO.
1040879002	104087-9002

DRAWING ERROR
 EC NO: KTR2017-0033
 DRWN: JMK/IM02 2017/01/14
 CHKD:
 APPR: JHJANG 2017/03/20

QUALITY SYMBOLS

GENERAL TOLERANCES (UNLESS SPECIFIED)		
	mm	INCH
4 PLACES	± ---	± ---
3 PLACES	± ---	± ---
2 PLACES	± 0.15	± ---
1 PLACE	± 0.25	± ---
ANGULAR ± 1 °		
DRAFT WHERE APPLICABLE MUST REMAIN WITHIN DIMENSIONS		

DIMENSION STYLE	
MM ONLY	
DRAWN BY	DATE
HIMOON	2013/05/02
CHECKED BY	DATE
BCYOON	2013/05/02
APPROVED BY	DATE
JHJANG	2017/03/20
MATERIAL NO.	
SEE TABLE	
SIZE	
A/4	

SCALE	DESIGN UNITS	THIRD ANGLE PROJECTION
	METRIC	
TITLE		
HSAUTOLINK R/A HEADER TYPE-E FOR HMI MODULE (TAPE & REEL PACKING)		
molex MOLEX INCORPORATED		
MATERIAL NO.	DOCUMENT NO.	SHEET NO.
	SD-104087-011	1 OF 1
THIS DRAWING CONTAINS INFORMATION THAT IS PROPRIETARY TO MOLEX INCORPORATED AND SHOULD NOT BE USED WITHOUT WRITTEN PERMISSION		

X-ON Electronics

Largest Supplier of Electrical and Electronic Components

Click to view similar products for [Automotive Connectors](#) category:

Click to view products by [Molex](#) manufacturer:

Other Similar products are found below :

[003-018-000](#) [60403001](#) [60993906-B](#) [M902-2131](#) [M902-2161](#) [72.330.1035.1](#) [73.353.4028.0](#) [F119300-B](#) [F166900](#) [F258300-B](#) [F358300-B](#)
[F407400](#) [F444110](#) [F487000](#) [F509500B-B](#) [827153-1](#) [8N1515-32-24P](#) [9-1326729-8](#) [925474-1](#) [928905-1](#) [964562-4](#) [968782-1](#) [GT17SA-8DS-](#)
[HU](#) [98891-1012](#) [98947-1016](#) [12004147](#) [12004475-L](#) [12010290](#) [12010309-B](#) [12015454](#) [12020219-B](#) [12020308](#) [12041318-B](#) [12052225-L](#)
[12052466](#) [12059125](#) [12064869](#) [12004327-B](#) [12010503-B](#) [12015308](#) [12015384](#) [12015909](#) [1-21030-1](#) [12041254](#) [12041318](#) [12047946-B](#)
[12047957](#) [12047957-L](#) [12059473](#) [12066261](#)