

**PLEASE CHECK WWW.MOLEX.COM FOR LATEST PART INFORMATION**

**Part Number:** [1041421000](#)  
**Status:** **Active**  
**Overview:** [Wire-to-Board Connectors](#)  
**Description:** IllumiMate 1.00mm Pitch Wire-to-Board Crimp Housing, Single Row, Side Positive Locks and Secondary Middle Friction Locks, 10 Circuits, Natural

**Documents:**

[3D Model](#) [Packaging Specification PK-104142-001-001 \(PDF\)](#)  
[Drawing \(PDF\)](#) [RoHS Certificate of Compliance \(PDF\)](#)  
[Product Specification PS-104141-001-001 \(PDF\)](#)

**General**

Product Family	Crimp Housings
Series	<a href="#">104142</a>
Application	Wire-to-Board
Overview	<a href="#">Wire-to-Board Connectors</a>
Product Name	IllumiMate
UPC	884982901858

**Physical**

Circuits (maximum)	10
Color - Resin	Natural
Gender	Receptacle
Glow-Wire Capable	No
Net Weight	0.103/g
Number of Rows	1
Packaging Type	Bag
Panel Mount	N/A
Pitch - Mating Interface	1.00mm
Pitch - Termination Interface	1.00mm
Temperature Range - Operating	-25° to +130°C

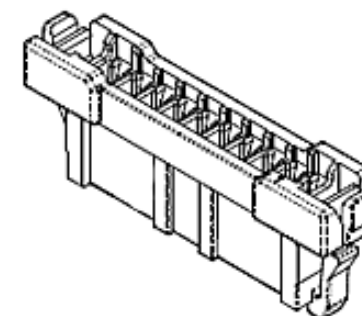
**Solder Process Data**

Lead-freeProcess Capability	N/A
-----------------------------	-----

**Material Info**

**Reference - Drawing Numbers**

Packaging Specification	PK-104142-001-001
Product Specification	PS-104141-001-001
Sales Drawing	SD-104142-001



*Series image - Reference only*

**EU ELV**

**Not Relevant**

**EU RoHS**

**Compliant**

**REACH SVHC**

Not Contained Per -  
ED/71/2019 (16 July  
2019)

**Halogen-Free**

**Status**

**Low-Halogen**

For more information, please visit [Contact US](#)

China ROHS

ELV

RoHS Phthalates

**China RoHS**

Green Image

Not Relevant

Not Contained

**Search Parts in this Series**

[104142 Series](#)

**Mates With**

IllumiMate Header [1041411010](#)

**Use With**

IllumiMate Crimp Terminal [1045398002](#)

## X-ON Electronics

Largest Supplier of Electrical and Electronic Components

*Click to view similar products for [Lighting Connectors](#) category:*

*Click to view products by [Molex](#) manufacturer:*

Other Similar products are found below :

[293300-7](#) [293660-5](#) [CNX\\_H03\\_NTP](#) [30-9767-BU](#) [3605](#) [3-21030-1](#) [ZCH-110-RGB-I](#) [503471-0290](#) [ZCH-110-RGB-J](#) [217-0716-200](#)  
[1954563-1](#) [1-293657-2](#) [2834036-1](#) [2834037-1](#) [1-2213222-4](#) [2-2213222-4](#) [2213222-4](#) [2834122-3](#) [2834122-5](#) [2834135-2](#) [FLA-R4142-30](#)  
[FLA-R4162-30](#) [FLA-R2142-30](#) [FLA-R2162-30](#) [FLA-R2161-30](#) [FLA-R0161-30](#) [FLA-R0141-30](#) [FLA-R0142-30](#) [FLA-R0162-30](#) [FLA-C00-](#)  
[00](#) [DGA00010553](#) [CNXV04NTP](#) [104128-0610](#) [503485-0000 \(Cut Strip\)](#) [503485-0000 \(Loose Piece\)](#) [503485-0000 \(MINI Reel\)](#) [1-2834074-2](#)  
[1-2834074-3](#) [1357-AC PLUG W2C \(CHINA\)](#) [1357-AC PLUG W2 \(USA\)](#) [104266-0110](#) [CNXV02NTP](#) [2106212-1](#) [2-2834074-2](#) [104266-](#)  
[0210](#) [293470-1](#) [293651-2](#) [293651-4](#) [1-2834006-2](#) [293651-1](#)