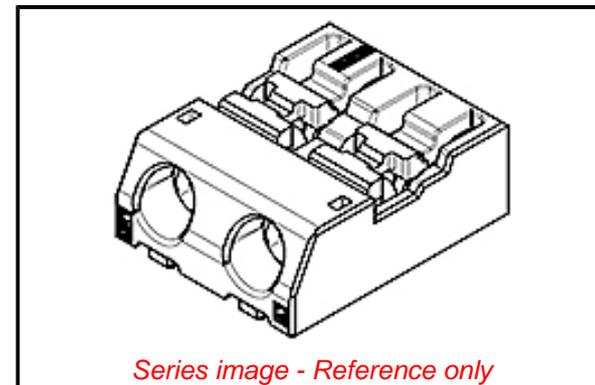


**PLEASE CHECK WWW.MOLEX.COM FOR LATEST PART INFORMATION**

**Part Number:** [1042380210](#)  
**Status:** **Active**  
**Overview:** [Lite-Trap and Mini Lite-Trap Connector System](#)  
**Description:** Mini Lite-Trap SMT Wire-to-Board Connector, Push-Button Type, 2 Circuits

**Documents:**

<a href="#">3D Model</a>	<a href="#">Packaging Specification PK-104238-001-001 (PDF)</a>
<a href="#">3D Model (PDF)</a>	<a href="#">Datasheet (PDF)</a>
<a href="#">Drawing (PDF)</a>	<a href="#">RoHS Certificate of Compliance (PDF)</a>
<a href="#">Product Specification PS-104238-001-001 (PDF)</a>	



Series image - Reference only

**Agency Certification**

UL E29179

**General**

Product Family	PCB Receptacles
Series	<a href="#">104238</a>
Application	Wire-to-Board
Overview	<a href="#">Lite-Trap and Mini Lite-Trap Connector System</a>
Product Name	Mini Lite-Trap
UPC	889056065337

**Physical**

Circuits (Loaded)	2
Circuits (maximum)	2
Color - Resin	Natural
Durability (mating cycles max)	25
Glow-Wire Capable	No
Material - Metal	Copper Alloy
Material - Plating Mating	Tin
Material - Resin	Liquid Crystal Polymer
Net Weight	0.175/g
Number of Rows	1
Orientation	Right Angle
PCB Retention	None
Packaging Type	Embossed Tape on Reel
Pitch - Mating Interface	3.00mm
Plating min - Mating	0.800µm
Polarized to PCB	No
Temperature Range - Operating	-40° to +130°C
Termination Interface: Style	Surface Mount

**Electrical**

Current - Maximum per Contact	3.0A
Voltage - Maximum	160V AC (RMS)/DC

**Material Info**

**Reference - Drawing Numbers**

Packaging Specification	PK-104238-001-001
Product Specification	PS-104238-001-001
Sales Drawing	SD-104238-003, SD-104238-004

**EU ELV**

**Not Relevant**

**EU RoHS**

**Compliant**

**REACH SVHC**

Not Contained Per -  
ECHA\_01\_2020 (16  
January 2020

**Halogen-Free**

**Status**

**Low-Halogen**

For more information, please visit [Contact US](#)

China ROHS

ELV

RoHS Phthalates

**China RoHS**

Green Image

Not Relevant

Not Contained

**Search Parts in this Series**

[104238 Series](#)

## X-ON Electronics

Largest Supplier of Electrical and Electronic Components

*Click to view similar products for [Lighting Connectors](#) category:*

*Click to view products by [Molex](#) manufacturer:*

Other Similar products are found below :

[293300-7](#) [293660-5](#) [CNX\\_H03\\_NTP](#) [30-9767-BU](#) [3605](#) [3-21030-1](#) [ZCH-110-RGB-I](#) [503471-0290](#) [ZCH-110-RGB-J](#) [217-0716-200](#)  
[1954563-1](#) [1-293657-2](#) [2834036-1](#) [2834037-1](#) [1-2213222-4](#) [2-2213222-4](#) [2213222-4](#) [2834122-3](#) [2834122-5](#) [2834135-2](#) [FLA-R4142-30](#)  
[FLA-R4162-30](#) [FLA-R2142-30](#) [FLA-R2162-30](#) [FLA-R2161-30](#) [FLA-R0161-30](#) [FLA-R0141-30](#) [FLA-R0142-30](#) [FLA-R0162-30](#) [FLA-C00-](#)  
[00](#) [DGA00010553](#) [CNXV04NTP](#) [104128-0610](#) [503485-0000 \(Cut Strip\)](#) [503485-0000 \(Loose Piece\)](#) [503485-0000 \(MINI Reel\)](#) [1-2834074-2](#)  
[1-2834074-3](#) [1357-AC PLUG W2C \(CHINA\)](#) [1357-AC PLUG W2 \(USA\)](#) [104266-0110](#) [CNXV02NTP](#) [2106212-1](#) [2-2834074-2](#) [104266-](#)  
[0210](#) [293470-1](#) [293651-2](#) [293651-4](#) [1-2834006-2](#) [293651-1](#)