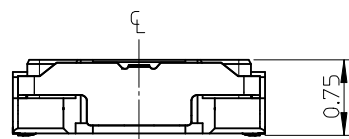
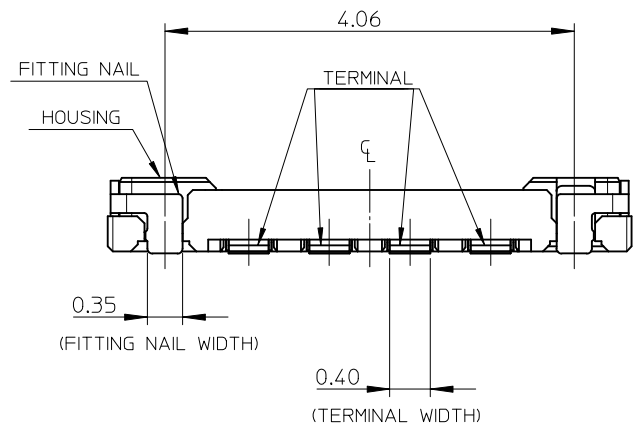


ISOMETRIC
SCALE 15:1

NOTES

1. MATERIAL
HOUSING: LIQUID CRYSTAL POLYMER UL94V-0 (COLOR: BLACK)
TERMINAL FOR POWER OR SIGNAL CIRCUIT : COPPER ALLOY
2. PLATING
TERMINAL FOR POWER OR SIGNAL CIRCUIT
GOLD
UNDER PLATING : NICKEL
* DIVIDE INTO PARTS THE GOLD PLATING OF THE CONTACT AND THE TAIL PART BY THE NICKEL PLATING.

FITTING NAIL
GOLD (SOLDER TAIL)
UNDER PLATING : NICKEL
3. MATE WITH : 104250 SERIES.
4. TAIL COPLANARITY TO BE 0.08 MAXIMUM.
FITTING NAIL COPLANARITY TO BE 0.1 MAXIMUM.
5. ELV and RoHS COMPLIANT.



104249-0810	○	-	8
EMBOSSED TAPE PACKAGE	MASS PRODUCTION	LOW VOL. TOOL	CIRCUIT
ORDER NO.	SAMPLE PREPARATION		

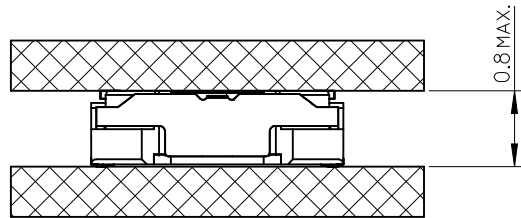
CONNECTOR SERIES No. : 104249
SCALE 20:1 DESIGN UNITS METRIC THIRD ANGLE PROJECTION

0.8 BB CONN H=0.75
REC ASSY
(ONLY POWER TER'L VER.)

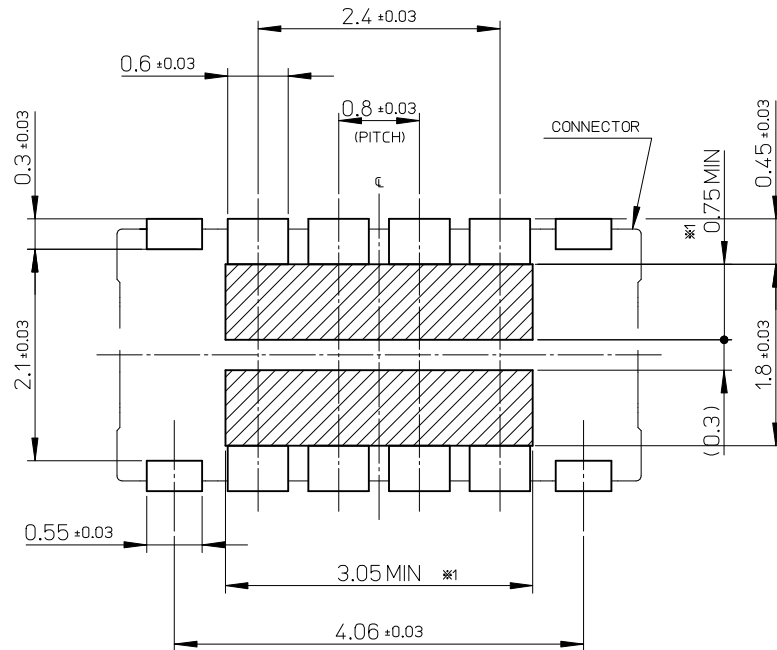


DOCUMENT NO. SD-104249-001 SHEET NO. 1 OF 4

REVISED EC NO: KOR2017-0058 DRWN: JHCHANG 2017/05/31 CHKD: KSK IM 2017/06/02 APPR: YSK IM02 2017/06/07	QUALITY SYMBOLS	GENERAL TOLERANCES (UNLESS SPECIFIED)	DIMENSION STYLE	SCALE	DESIGN UNITS	TITLE																		
	$\nabla_A = 0$ $\nabla_C = 0$ $\nabla_P = 0$	<table border="1"> <thead> <tr> <th></th> <th>mm</th> <th>INCH</th> </tr> </thead> <tbody> <tr> <td>4 PLACES</td> <td>± 0.1</td> <td>± 0.004</td> </tr> <tr> <td>3 PLACES</td> <td>± 0.15</td> <td>± 0.006</td> </tr> <tr> <td>2 PLACES</td> <td>± 0.2</td> <td>± 0.008</td> </tr> <tr> <td>1 PLACE</td> <td>± 0.3</td> <td>± 0.012</td> </tr> <tr> <td>0 PLACE</td> <td>± 0.4</td> <td>± 0.016</td> </tr> </tbody> </table>		mm	INCH	4 PLACES	± 0.1	± 0.004	3 PLACES	± 0.15	± 0.006	2 PLACES	± 0.2	± 0.008	1 PLACE	± 0.3	± 0.012	0 PLACE	± 0.4	± 0.016	MM ONLY	20:1	METRIC	0.8 BB CONN H=0.75 REC ASSY (ONLY POWER TER'L VER.)
		mm	INCH																					
	4 PLACES	± 0.1	± 0.004																					
3 PLACES	± 0.15	± 0.006																						
2 PLACES	± 0.2	± 0.008																						
1 PLACE	± 0.3	± 0.012																						
0 PLACE	± 0.4	± 0.016																						
	ANGULAR ± 1°	DRAWN BY JHCHANG DATE 2015/03/06																						
	DRAFT WHERE APPLICABLE MUST REMAIN WITHIN DIMENSIONS	CHECKED BY KSK IM DATE 2015/06/08																						
		APPROVED BY YSK IM02 DATE 2015/06/18																						
		MATERIAL NO. SEE CHART																						



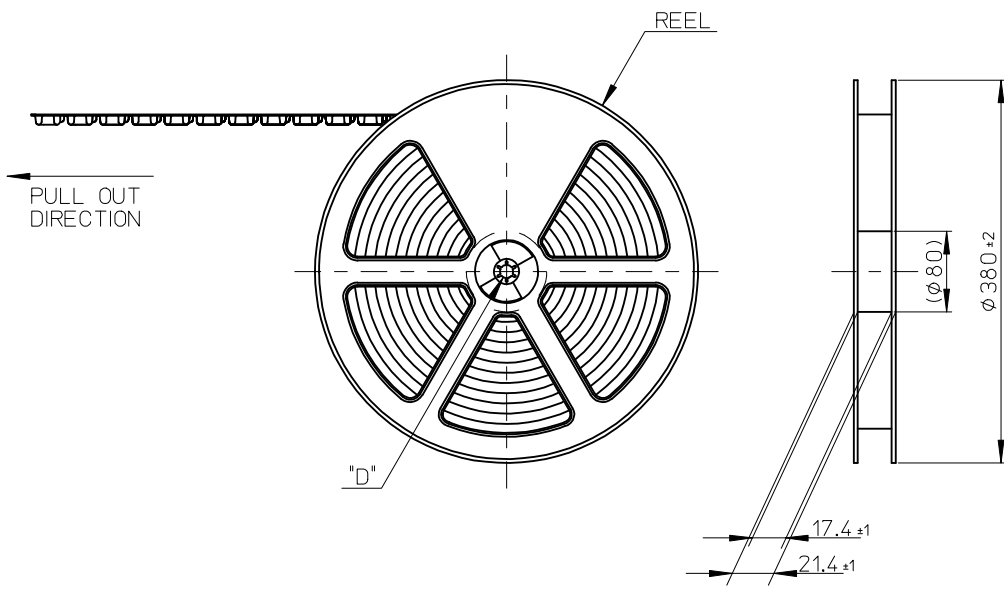
MATED CONDITION



RECOMMENDED P.W.BOARD PATTERN LAYOUT (FOR REFERENCE)
 RECOMMENDED THICKNESS OF METAL MASK:t=0.1mm
 RECOMMENDED OPEN APERTURE RATIO OF METAL MASK:80%

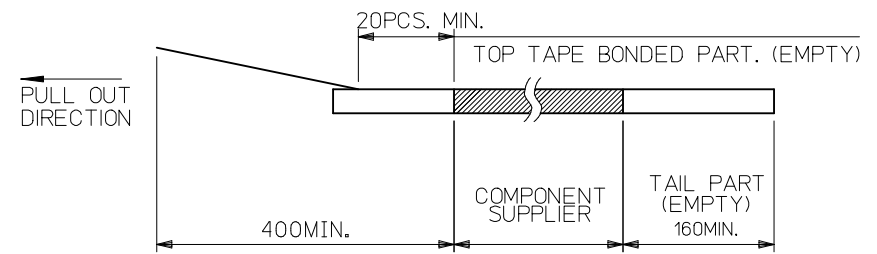
※1
 PROHIBITED AREA OF PATTERN WIRING AND SOLDER.
 (FOR EACH AREA THE WIRING CAN NOT BE AVAILABLE.
 AND COVERED WITH A FILM KEEP SOLDER OUT)

REVISED EC NO: KOR2017-0058 DRWN: JHCHANG 2017/05/31 CHKD: KSK IM 2017/06/02 APPR: YSK IM02 2017/06/07	DESCRIPTION REV	QUALITY SYMBOLS	GENERAL TOLERANCES (UNLESS SPECIFIED)		DIMENSION STYLE MM ONLY		SCALE 20:1	DESIGN UNITS METRIC	THIRD ANGLE PROJECTION
		$F_A = 0$ $F_G = 0$ $F_P = 0$	mm INCH 4 PLACES ± --- ± --- 3 PLACES ± 0.1 ± --- 2 PLACES ± 0.15 ± --- 1 PLACE ± 0.2 ± --- 0 PLACE ± --- ± ---	DRAWN BY JHCHANG	DATE 2015/03/06	TITLE 0.8 BB CONN H=0.75 REC ASSY (ONLY POWER TER'L VER.)			
		ANGULAR ± 1 ° DRAFT WHERE APPLICABLE MUST REMAIN WITHIN DIMENSIONS	CHECKED BY KSK IM APPROVED BY YSK IM02 DATE 2015/06/08 DATE 2015/06/18	MATERIAL NO. SEE SHEET 1				DOCUMENT NO. SD-104249-001	SHEET NO. 2 OF 4
		THIS DRAWING CONTAINS INFORMATION THAT IS PROPRIETARY TO MOLEX INCORPORATED AND SHOULD NOT BE USED WITHOUT WRITTEN PERMISSION							

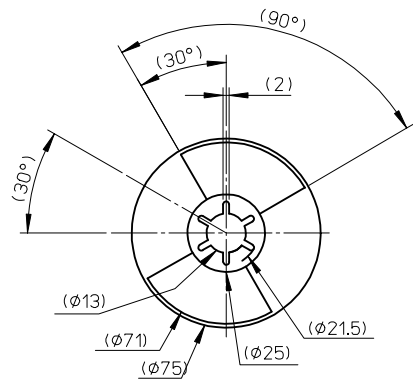


NOTES

1. RE DETAILED DIMENSION, SEE PRODUCT DRAWING.
2. NUMBER OF CONNECTORS : 7000PCS/REEL
3. LEAD TAPE LENGTH



4. COVER TAPE PEEL FORCE IS DEFINED BY IEC60286-3.
5. MATERIAL
 CARRIER TAPE : POLYSTYRENE
 TOP TAPE : PET , OTHER
 REEL : PS
 POLYSTYRENE (PS) <RECYCLE MATERIAL CONTAINED>
6. ELV AND RoHS COMPLIANT
7. THIS PRODUCT IS HIGH BARRIER PACKAGE INCLUDING SILICAGEL.
8. REFER TO RPS-104249-001 FOR CONDITIONS AFTER OPEN.



DETAIL "D"

REVISED EC NO: KOR2017-0058 DRWN: JHCHANG 2017/05/31 CHKD: KSK IM 2017/06/02 APPR: YSK IM02 2017/06/07	DESCRIPTION QUALITY SYMBOLS $F_A=0$ $F_G=0$ $F_P=0$	GENERAL TOLERANCES (UNLESS SPECIFIED)		DIMENSION STYLE MM ONLY		SCALE 20:1	DESIGN UNITS METRIC	THIRD ANGLE PROJECTION			
		4 PLACES ± --- + ---	mm INCH	DRAWN BY JHCHANG	DATE 2015/03/06	TITLE 0.8 BB CONN H=0.75 REC ASSY (ONLY POWER TER'L VER.)					
		3 PLACES ± 0.1 ± ---		CHECKED BY KSK IM	DATE 2015/06/08	molex					
		2 PLACES ± 0.15 ± ---		APPROVED BY YSK IM02	DATE 2015/06/18						
1 PLACE ± 0.2 ± ---		MATERIAL NO. SEE SHEET1		DOCUMENT NO. SD-104249-001		SHEET NO. 3 OF 4					
0 PLACE ± --- ± ---		ANGULAR ± 1 °		THIS DRAWING CONTAINS INFORMATION THAT IS PROPRIETARY TO MOLEX INCORPORATED AND SHOULD NOT BE USED WITHOUT WRITTEN PERMISSION							
DRAFT WHERE APPLICABLE MUST REMAIN WITHIN DIMENSIONS											

10 9 8 7 6 5 4 3 2 1

F

E

D

C

B

A

F

E

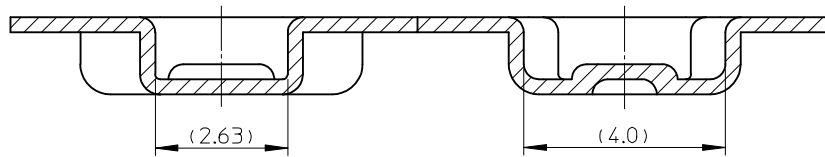
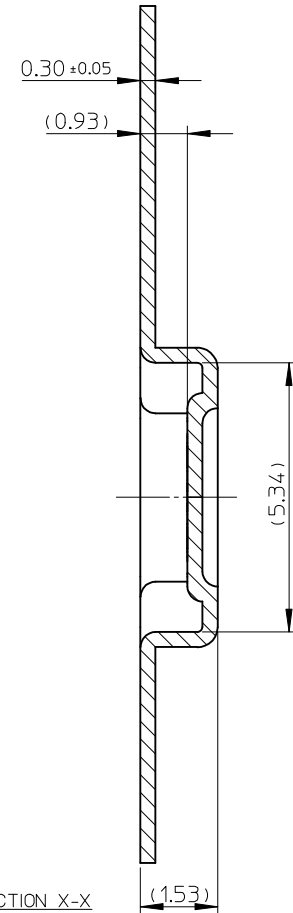
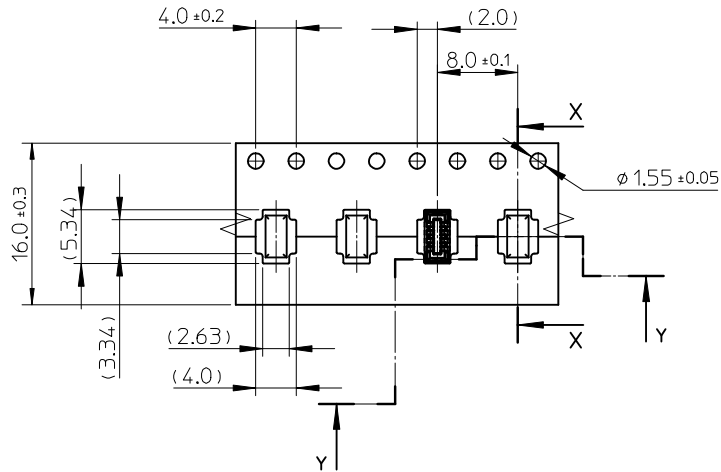
D

C

B

A

PULL OUT DIRECTION →



SECTION Y-Y

SECTION X-X

REVISED EC NO: KOR2017-0058 DRWN: JHCHANG 2017/05/31 CHKD: KSK IM 2017/06/02 APPR: YSK IM02 2017/06/07	QUALITY SYMBOLS $F_A=0$ $F_C=0$ $F_P=0$	GENERAL TOLERANCES (UNLESS SPECIFIED)		DIMENSION STYLE MM ONLY	SCALE 20:1	DESIGN UNITS METRIC	THIRD ANGLE PROJECTION	
				DRAWN BY JHCHANG	DATE 2015/03/06	TITLE 0.8 BB CONN H=0.75 REC ASSY (ONLY POWER TER'L VER.)		
				CHECKED BY KSK IM	DATE 2015/06/08	molex		
				APPROVED BY YSK IM02	DATE 2015/06/18	MATERIAL NO. SEE SHEET 1	DOCUMENT NO. SD-104249-001	SHEET NO. 4 OF 4
D	REV	DESCRIPTION DRAFT WHERE APPLICABLE MUST REMAIN WITHIN DIMENSIONS	ANGULAR $\pm 1^\circ$	THIS DRAWING CONTAINS INFORMATION THAT IS PROPRIETARY TO MOLEX INCORPORATED AND SHOULD NOT BE USED WITHOUT WRITTEN PERMISSION				

9 8 7 6 5 4 3 2 1

X-ON Electronics

Largest Supplier of Electrical and Electronic Components

Click to view similar products for [Headers & Wire Housings](#) category:

Click to view products by [Molex](#) manufacturer:

Other Similar products are found below :

[57102-F02-18ULF](#) [58102-G61-06LF](#) [0009485154](#) [009176003701906](#) [0050291907](#) [02.125.8002.8](#) [609-3404](#) [61062-3](#) [622-0430](#) [622-3653LF](#)
[63453-116](#) [636-1030](#) [636-1427](#) [636-3427](#) [636-4007](#) [641938-9](#) [644827-2](#) [65495-038](#) [65692-001LF](#) [65781-018](#) [65781-047](#) [65817-010LF](#)
[65817-015LF](#) [66207-023LF](#) [67016-026LF](#) [67095-007LF](#) [68631-112](#) [68645-018](#) [68648-049](#) [699319-000](#) [70.362.1628.0](#) [70-4210](#) [70-4226B](#)
[70-4853B](#) [707-5020](#) [707-5028](#) [71.350.2428.0](#) [71961-016LF](#) [733-134](#) [754199-000](#) [760-3052](#) [787-8014-00](#) [FCN-367T-T012/H](#) [80.063.4001.1](#)
[800-90-001-10-001000](#) [800-90-010-10-002000](#) [801-43-002-10-013000](#) [801-43-006-10-002000](#) [803-41-018-10-001000](#) [803-43-014-20-](#)
[001000](#)