

PLEASE CHECK WWW.MOLEX.COM FOR LATEST PART INFORMATION

Part Number: [1045398002](#)
Status: **Active**
Overview: [IllumiMate Connector System](#)
Description: IllumiMate 1.00mm Wire-to-Board Receptacle Terminal, Pre-plated, Tin (Sn)

Documents:

Drawing (PDF)	Product Specification PS-104127-004-001 (PDF)
Product Specification PS-104127-001-001 (PDF)	Packaging Specification PK-104539-001-001 (PDF)
Product Specification PS-104127-002-001 (PDF)	RoHS Certificate of Compliance (PDF)

General

Product Family	Crimp Terminals
Series	104539
Application	Signal, Wire-to-Board
Crimp Quality Equipment	Yes
Overview	IllumiMate Connector System
Product Name	IllumiMate
UPC	884982701625

Physical

Durability (mating cycles max)	30
Gender	Female
Material - Metal	Phosphor Bronze
Material - Plating Mating	Tin
Material - Plating Termination	Tin
Net Weight	0.019/g
Packaging Type	Reel
Termination Interface: Style	Crimp or Compression
Wire Insulation Diameter	0.80mm max.
Wire Size AWG	30, 32
Wire Size mm ²	0.03-0.05

Electrical

Current - Maximum per Contact	1.5A
Voltage - Maximum	60V

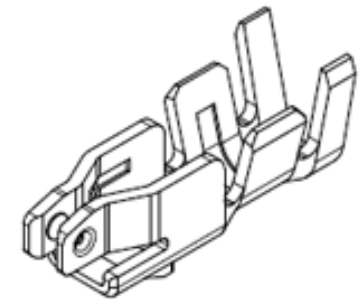
Solder Process Data

Lead-free Process Capability	N/A
------------------------------	-----

Material Info

Reference - Drawing Numbers

Crimp Specification	CS-104539-001-001
Packaging Specification	PK-104539-001-001
Product Specification	PS-104127-001-001, PS-104127-002-001, PS-104127-004-001
Sales Drawing	SD-104539-001



Series image - Reference only

EU ELV

Not Relevant

EU RoHS

Compliant

REACH SVHC

Not Contained Per -
ED/71/2019 (16 July
2019)

Halogen-Free

Status

Low-Halogen

For more information, please visit [Contact US](#)

China ROHS

ELV

RoHS Phthalates

China RoHS

Green Image

Not Relevant

Not Contained

Search Parts in this Series

[104539 Series](#)

Use With

IllumiMate 1.00mm Wire-to-Board Crimp Housing [1041280400](#) , [1041280500](#) , [1041421000](#) ,
 [1041280610](#)

Application Tooling | FAQ

Tooling specifications and manuals are found by selecting the products below. Crimp Height Specifications are then contained in the Application Tooling Specification document.

Global

Description

Product #

Hand Crimp Tool for IllumiMate 1.25mm Wire-to-Board Crimp Terminals	638271000
---	---------------------------

X-ON Electronics

Largest Supplier of Electrical and Electronic Components

Click to view similar products for [Lighting Connectors](#) category:

Click to view products by [Molex](#) manufacturer:

Other Similar products are found below :

[293300-7](#) [293660-5](#) [CNX_H03_NTP](#) [30-9767-BU](#) [3605](#) [3-21030-1](#) [ZCH-110-RGB-I](#) [503471-0290](#) [ZCH-110-RGB-J](#) [217-0716-200](#)
[1954563-1](#) [1-293657-2](#) [2834036-1](#) [2834037-1](#) [1-2213222-4](#) [2-2213222-4](#) [2213222-4](#) [2834122-3](#) [2834122-5](#) [2834135-2](#) [FLA-R4142-30](#)
[FLA-R4162-30](#) [FLA-R2142-30](#) [FLA-R2162-30](#) [FLA-R2161-30](#) [FLA-R0161-30](#) [FLA-R0141-30](#) [FLA-R0142-30](#) [FLA-R0162-30](#) [FLA-C00-](#)
[00](#) [DGA00010553](#) [CNXV04NTP](#) [104128-0610](#) [503485-0000 \(Cut Strip\)](#) [503485-0000 \(Loose Piece\)](#) [503485-0000 \(MINI Reel\)](#) [1-2834074-2](#)
[1-2834074-3](#) [1357-AC PLUG W2C \(CHINA\)](#) [1357-AC PLUG W2 \(USA\)](#) [104266-0110](#) [2106212-1](#) [2-2834074-2](#) [104266-0210](#) [293470-1](#)
[293651-2](#) [293651-4](#) [1-2834006-2](#) [293651-1](#) [2213142-3](#)