

**PLEASE CHECK WWW.MOLEX.COM FOR LATEST PART INFORMATION**

**Part Number:** [1045398102](#)  
**Status:** **Active**  
**Overview:** [IllumiMate Connector System](#)  
**Description:** IllumiMate 1.25mm Wire-to-Board Receptacle Terminal, Pre-plated, Tin (Sn)

**Documents:**

[Drawing \(PDF\)](#) [Packaging Specification PK-104539-001-001 \(PDF\)](#)  
[Product Specification PS-104130-001-001 \(PDF\)](#) [RoHS Certificate of Compliance \(PDF\)](#)  
[Product Specification PS-104130-002-001 \(PDF\)](#)

**General**

Product Family	Crimp Terminals
Series	<a href="#">104539</a>
Application	Signal, Wire-to-Board
Crimp Quality Equipment	Yes
Overview	<a href="#">IllumiMate Connector System</a>
Product Name	IllumiMate
UPC	884982703599

**Physical**

Durability (mating cycles max)	30
Gender	Female
Material - Metal	Phosphor Bronze
Material - Plating Mating	Tin
Material - Plating Termination	Tin
Net Weight	0.019/g
Packaging Type	Reel
Termination Interface: Style	Crimp or Compression
Wire Insulation Diameter	0.95mm max.
Wire Size AWG	30, 32
Wire Size mm <sup>2</sup>	N/A

**Electrical**

Current - Maximum per Contact	1.0A
Voltage - Maximum	250V

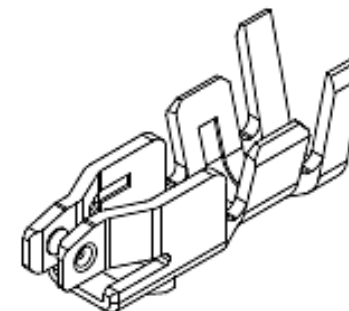
**Solder Process Data**

Lead-freeProcess Capability	N/A
-----------------------------	-----

**Material Info**

**Reference - Drawing Numbers**

Crimp Specification	CS-104539-001-001
Packaging Specification	PK-104539-001-001
Product Specification	PS-104130-001-001, PS-104130-002-001
Sales Drawing	SD-104539-002



Series image - Reference only

**EU ELV**

**Not Relevant**

**EU RoHS**

**Compliant**

**REACH SVHC**

Not Contained Per -  
ED/71/2019 (16 July  
2019)

**Halogen-Free**

**Status**

**Low-Halogen**

For more information, please visit [Contact US](#)

China ROHS

ELV

RoHS Phthalates

**China RoHS**

Green Image

Not Relevant

Not Contained

**Search Parts in this Series**

[104539 Series](#)

**Use With**

IllumiMate 1.25mm Pitch Wire-to-Board  
Crimp Housing [1041310300](#) , [1041310500](#)

**Application Tooling | FAQ**

*Tooling specifications and manuals are found by selecting the products below. Crimp Height Specifications are then contained in the Application Tooling Specification document.*

**Global**

**Description**

**Product #**

Hand Crimp Tool for IllumiMate 1.25mm Wire-to-Board Crimp Terminals	<a href="#">638271000</a>
---	---------------------------

## X-ON Electronics

Largest Supplier of Electrical and Electronic Components

*Click to view similar products for [Lighting Connectors](#) category:*

*Click to view products by [Molex](#) manufacturer:*

Other Similar products are found below :

[293300-7](#) [293660-5](#) [CNX\\_H03\\_NTP](#) [30-9767-BU](#) [3605](#) [3-21030-1](#) [ZCH-110-RGB-I](#) [503471-0290](#) [ZCH-110-RGB-J](#) [217-0716-200](#)  
[1954563-1](#) [1-293657-2](#) [2834036-1](#) [2834037-1](#) [1-2213222-4](#) [2-2213222-4](#) [2213222-4](#) [2834122-3](#) [2834122-5](#) [2834135-2](#) [FLA-R4142-30](#)  
[FLA-R4162-30](#) [FLA-R2142-30](#) [FLA-R2162-30](#) [FLA-R2161-30](#) [FLA-R0161-30](#) [FLA-R0141-30](#) [FLA-R0142-30](#) [FLA-R0162-30](#) [FLA-C00-](#)  
[00](#) [DGA00010553](#) [CNXV04NTP](#) [104128-0610](#) [503485-0000 \(Cut Strip\)](#) [503485-0000 \(Loose Piece\)](#) [503485-0000 \(MINI Reel\)](#) [1-2834074-2](#)  
[1-2834074-3](#) [1357-AC PLUG W2C \(CHINA\)](#) [1357-AC PLUG W2 \(USA\)](#) [104266-0110](#) [CNXV02NTP](#) [2106212-1](#) [2-2834074-2](#) [104266-](#)  
[0210](#) [293470-1](#) [293651-2](#) [293651-4](#) [1-2834006-2](#) [293651-1](#)